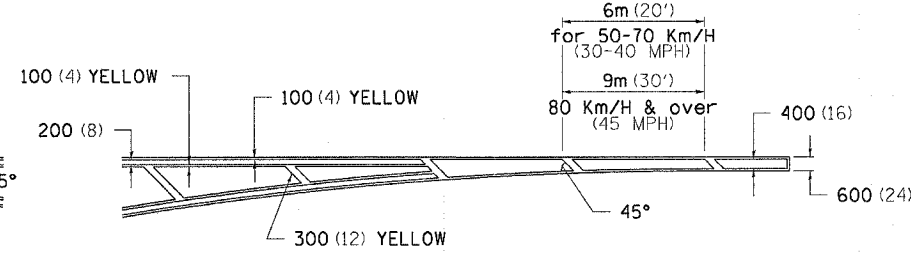
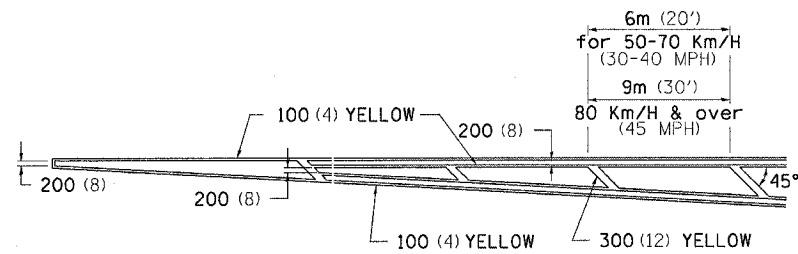


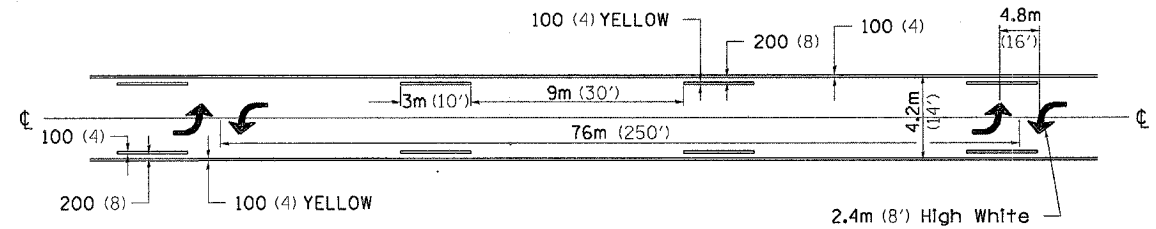
F.A.L. RTE.	SECTION	COUNTY	TOTAL SHEETS	SHEET NO.
5564	III-M-1	WHITESIDE	78	47
STA.		TO STA.		
FED. ROAD DIST. NO.		ILLINOIS FED. AID PROJECT		

TYPICAL PAVEMENT MARKINGS

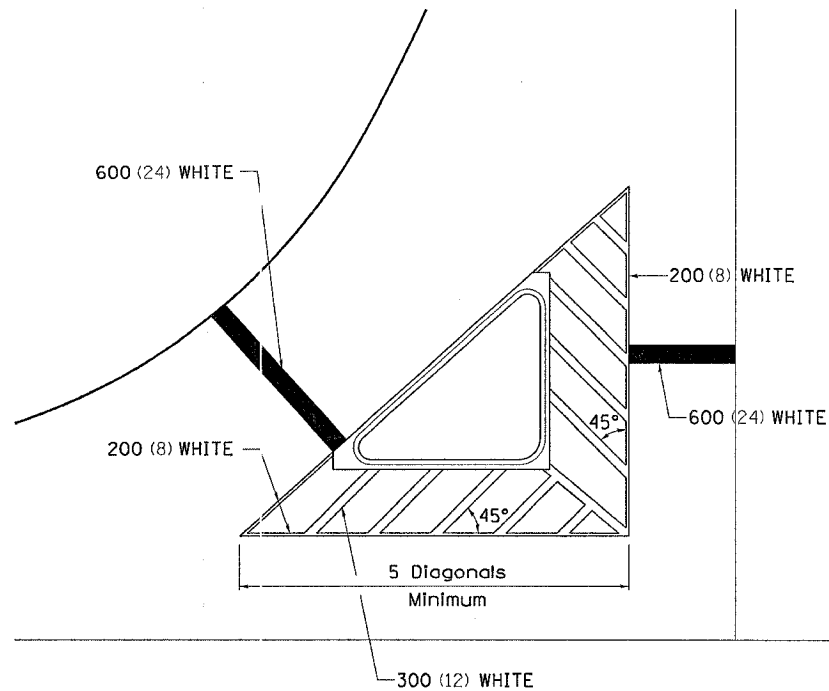
TYPICAL PAVEMENT MARKING FOR FLUSH MEDIAN



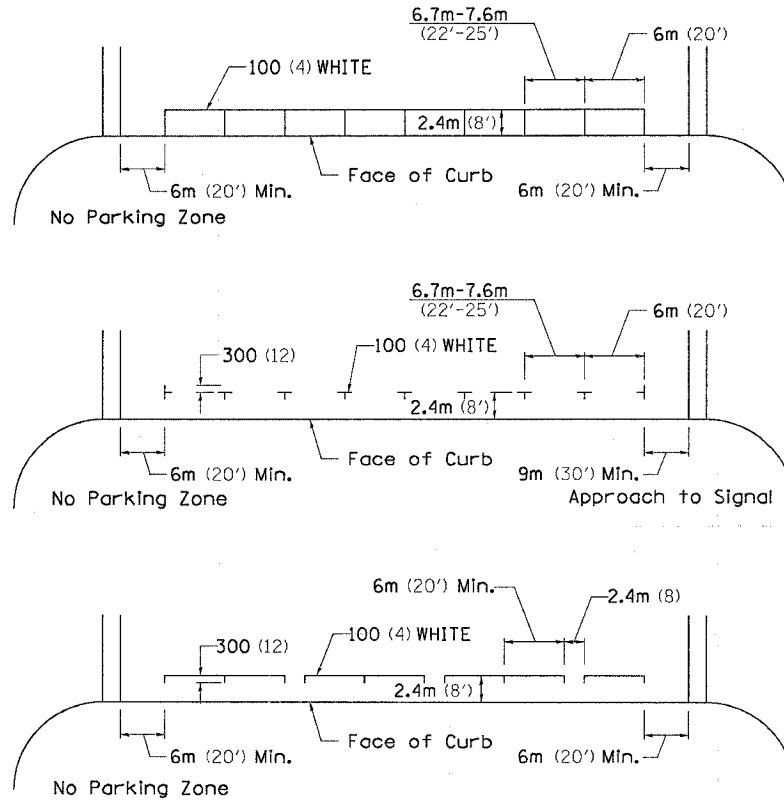
MEDIAN PAVEMENT MARKING



TYPICAL ISLAND OFFSET SHOULDER WIDTH



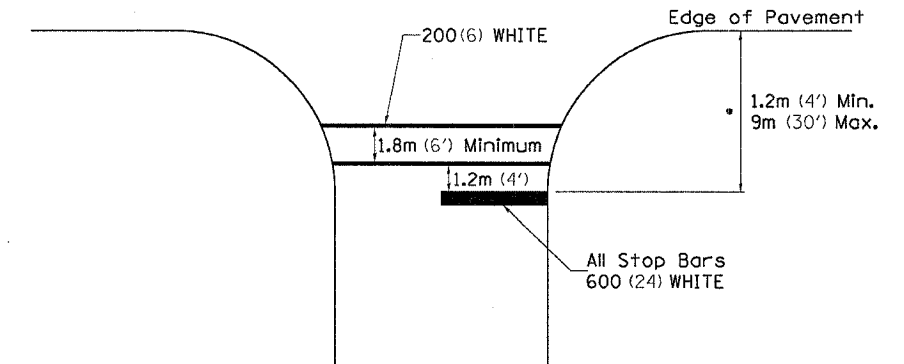
TYPICAL PARKING SPACING



•• ALL DIMENSIONS ARE IN MILLIMETERS (INCHES) UNLESS OTHERWISE NOTED.

STANDARD CROSSWALK MARKING

See Schedules for Locations



• Distance to the nearest edge of the intersecting roadway in the absence of a marked crosswalk.

PLOT DATE = Tue Aug 08 11:32:48 2006
 FILE NAME = c:\pwork\5564\5564\5564.dgn
 FILE SCALE = 1/8" = 1' IN
 REFERENCE = REFERENCE