

F.A.L. RTE.	SECTION	COUNTY	TOTAL SHEETS	SHEET NO.
37-1HRR-J	HENRY		133	10
STA.	TO STA.			
FED. ROAD DIST. NO.	ILLINOIS	FED. AID PROJECT		

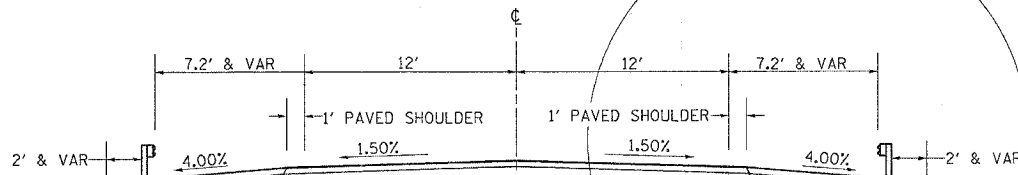
TYPICAL SECTIONS

- NOTE:
 PAVEMENT REMOVAL LIMITS
 •• STA 35+90 - STA 42+50
 •• STA 60+50 - STA 63+70
- PAVEMENT BREAKING LIMITS
 •• STA 42+50 - STA 50+26
 •• STA 53+22 - STA 60+50
- APPROACH SLAB REMOVAL
 •• STA 50+26 - STA 50+66
 •• STA 52+82 - STA 53+22

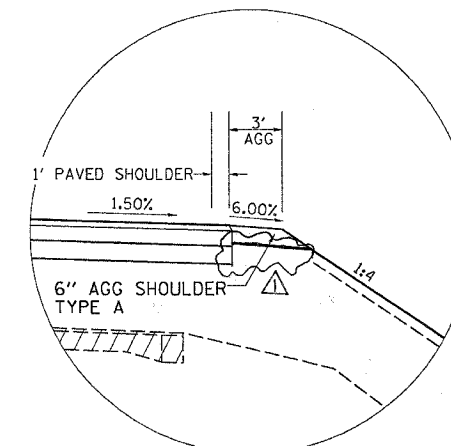
• STA 45+50 - 46+00
 LT FORESLOPE TRANSITIONS FROM 1:3 TO 1:2

POPPY GARDEN RD
 STATION 45+50-50+70.9

..... DETAIL



..... GUARDRAIL ON RT
 STA 48+51.55 - STA 50+70.9



..... DETAIL
 STA 45+50 - STA 48+59.36 RT

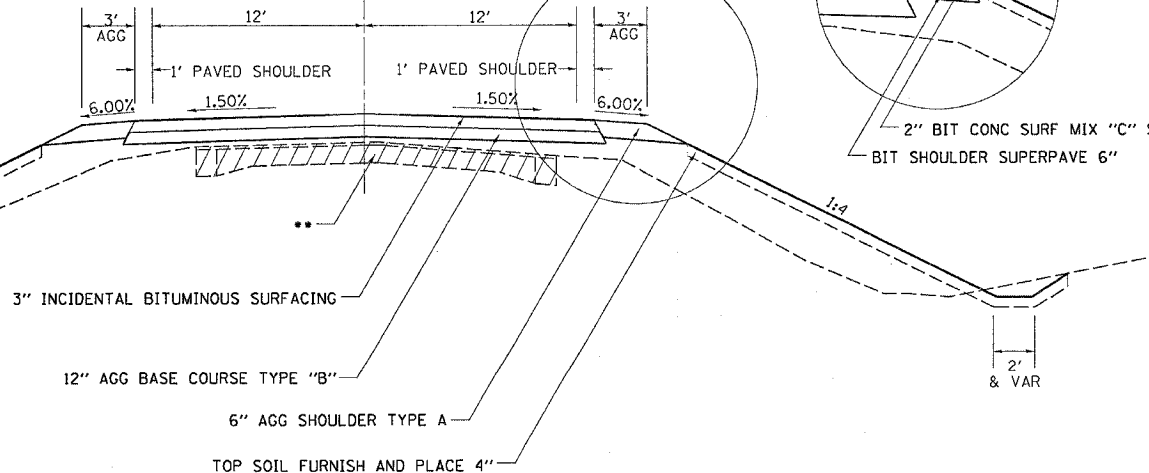
12" GRANULAR SUB-BASE MATERIAL TYPE A
 BIT CONC PAVEMENT (FULL DEPTH), SUPERPAVE 8 1/2"
 2" BIT CONC SURF CSE, MIX "C" SUPERPAVE N50
 6 1/2" BIT CONC BINDER CSE, SUPERPAVE IL-19.0 N50
 2" BIT CONC SURF MIX "C" SUPERPAVE, N50 (112 LB/SY IN)
 BIT SHOULDER SUPERPAVE 6"

TOP SOIL FURNISH AND PLACE 4"

..... DETAIL A
 STA 100+13 - STA 100+63.63 LT
 STA 100+13 - STA 100+62.38 RT

CARROLL ST

..... DETAIL



3" BIT CONC SURF MIX "C" SUPERPAVE, N50 (112 LB/SY IN)
 BIT SHOULDER SUPERPAVE 6"

3" INCIDENTAL BITUMINOUS SURFACING
 12" AGG BASE COURSE TYPE "B"
 6" AGG SHOULDER TYPE A
 TOP SOIL FURNISH AND PLACE 4"

STRUCTURAL DESIGN INFORMATION - FLEXIBLE PAVEMENT
 STRUCTURAL DESIGN TRAFFIC: YEAR 2025
 PV = 2960 SU = 125 MU = 15

ROAD/STREET CLASSIFICATION: Class II

PERCENT OF STRUCTURAL DESIGN TRAFFIC IN DESIGN LANE:
 P = 50 S = 50 M = 50

TRAFFIC FACTOR: Actual TF = 0.202 Minimum TF = 0.5

AC Type = 20 AC Mixture Temp. = 78.6oF

AC Mixture Modulus = 585 Design Strain = 130

AC GRADE: Binder = PG 64-22 Surface = PG 64-22

Flexible Pavement Thickness = 8.5" Surface = 2" Binder = 6.5"

SUBGRADE SUPPORT RATING:

SSR = Poor (Sta. 35+90 to 63+70)

REVIS
 10-31-06

ILLINOIS DEPARTMENT OF TRANSPORTATION

TYPICAL SECTIONS

FILE NAME = #FILE#
 LEVELS = #LEVELS#
 PLOT SCALE = #PLOTSCALE#
 OPERATOR = Mon Oct 22 09:31:55 2006
 PLOT DATE = Mon Oct 22 09:31:55 2006
 PLOT TIME = 10:31:55 AM
 PLOT USER = c:\p\james\213100\133100\typ.dgn
 PLOT SIZE = 11.00 x 17.00
 PLOT REFERENCE = #REF#