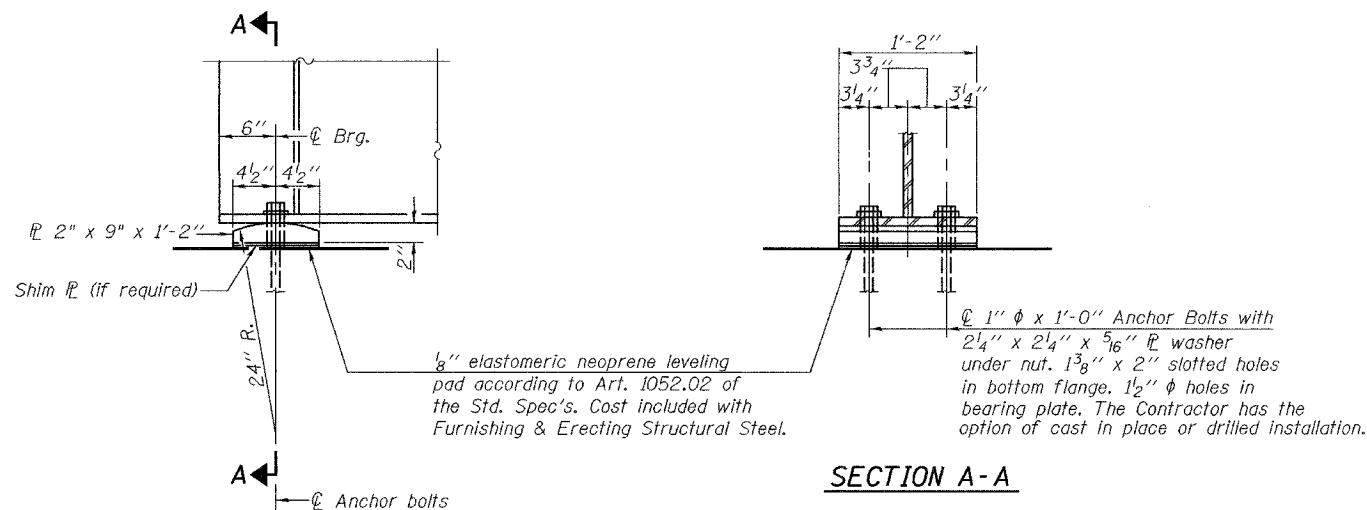
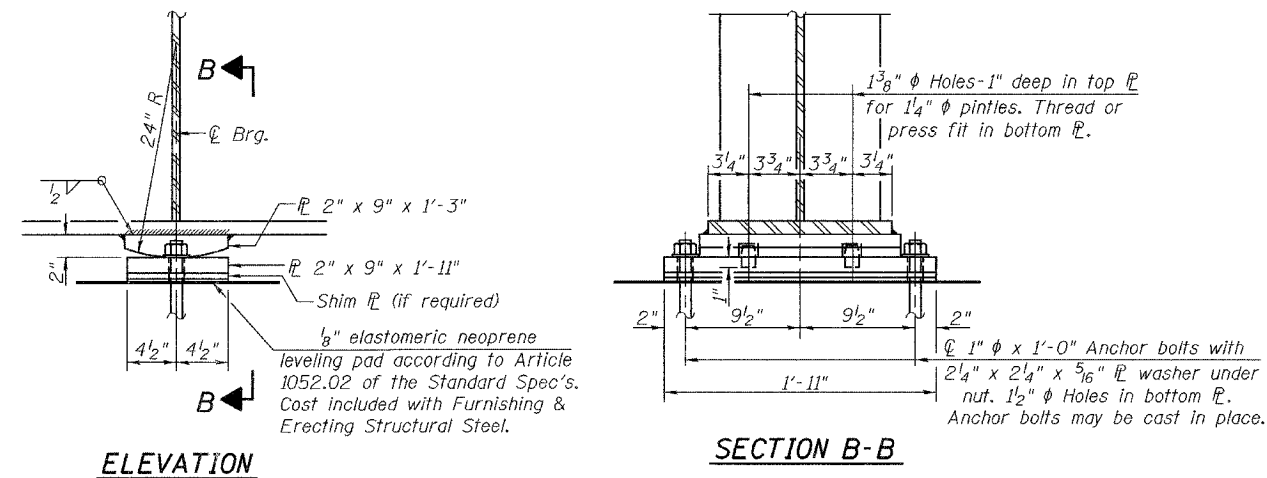


STATE OF ILLINOIS
DEPARTMENT OF TRANSPORTATION

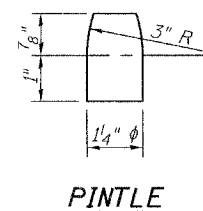
ROUTE NO.	SECTION	COUNTY	TOTAL SHEETS	SHEET NO.	SHEET NO. 10
F.A.I. 80	37-IHBR-1	HENRY	133	73	18 SHEETS
FED. ROAD DIST. NO. 7	ILLINOIS	FED. AID PROJECT	Contract #64602		



FIXED BEARINGS AT ABUTMENTS
(12 Required)



FIXED BEARINGS AT PIER
(6 Required)



Note: For Anchor Bolt details, See Sheet 11 of 18.
All bearing plates shall be AASHTO M270 Grade 50.

DESIGNED	Michael D. Cima
CHECKED	Phillip R. Litchfield
DRAWN	R. Sommer
CHECKED	MDC/PRL

EXAMINED	September 25 2006	Thomas J. Domagala
PASSED		Ralph E. Anderson

BEARING DETAILS
F.A.I. RT. 80 SEC. 37-IHBR-1
HENRY COUNTY
STATION 461+73.82
STRUCTURE NO. 037-0171