

EXPANSION GUARD NOTES:

- SEE "GENERAL NOTES FOR STRUCTURAL STEEL," SHT. NO. 2
- EXPANSION GUARD ASSEMBLIES SHALL BE FABRICATED AND ERECTED TO CONFORM TO THE ROADWAY GROUND AND SLOPE OF GRADE AT THE GUARD. THEY SHALL BE ASSEMBLED IN THE SHOP FOR INSPECTION.
- ALL PARTS OF GUARD ASSEMBLY INCLUDING STUDS SHALL BE INCLUDED IN STRUCTURAL STEEL FOR PAYMENT.

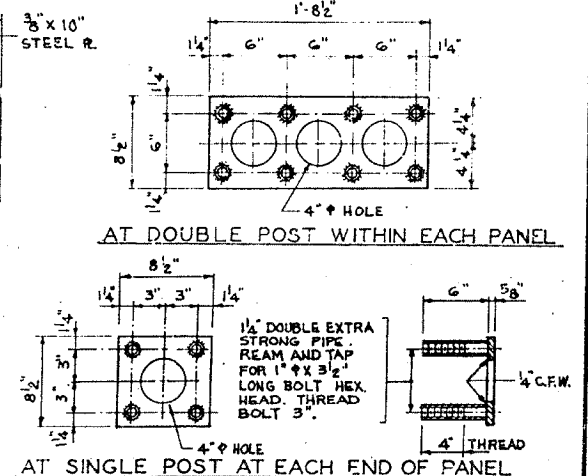
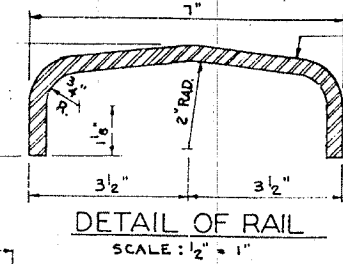
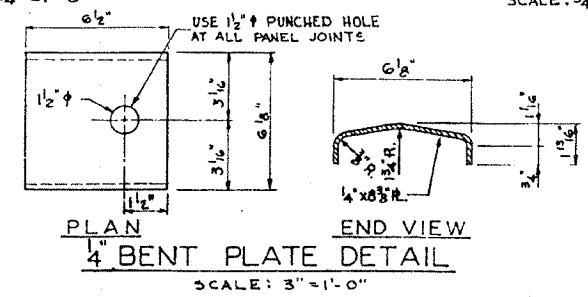
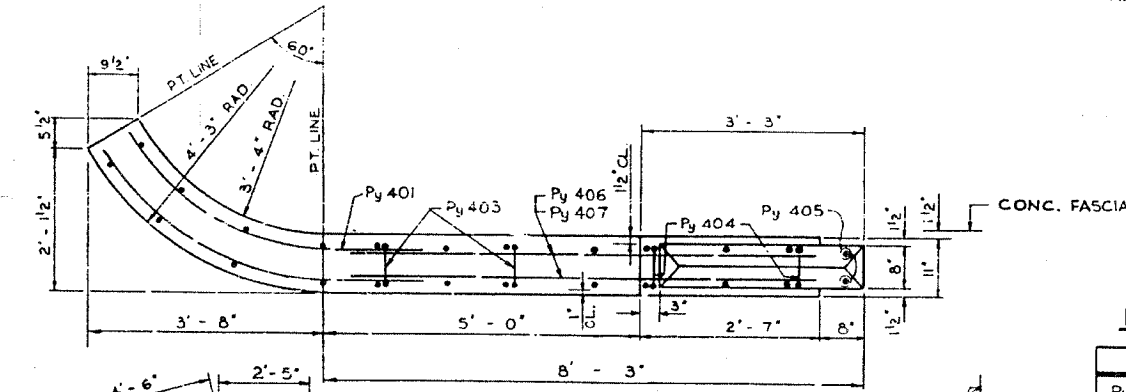
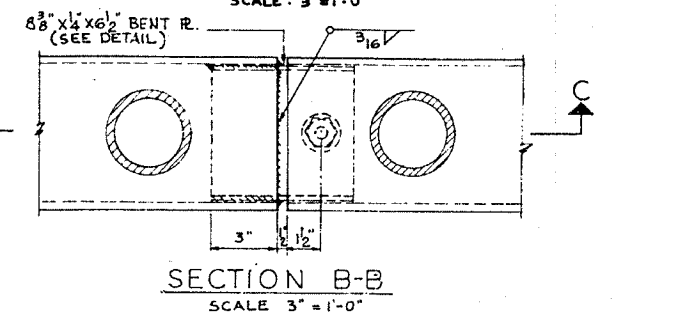
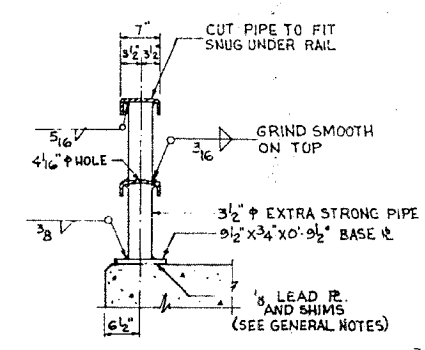
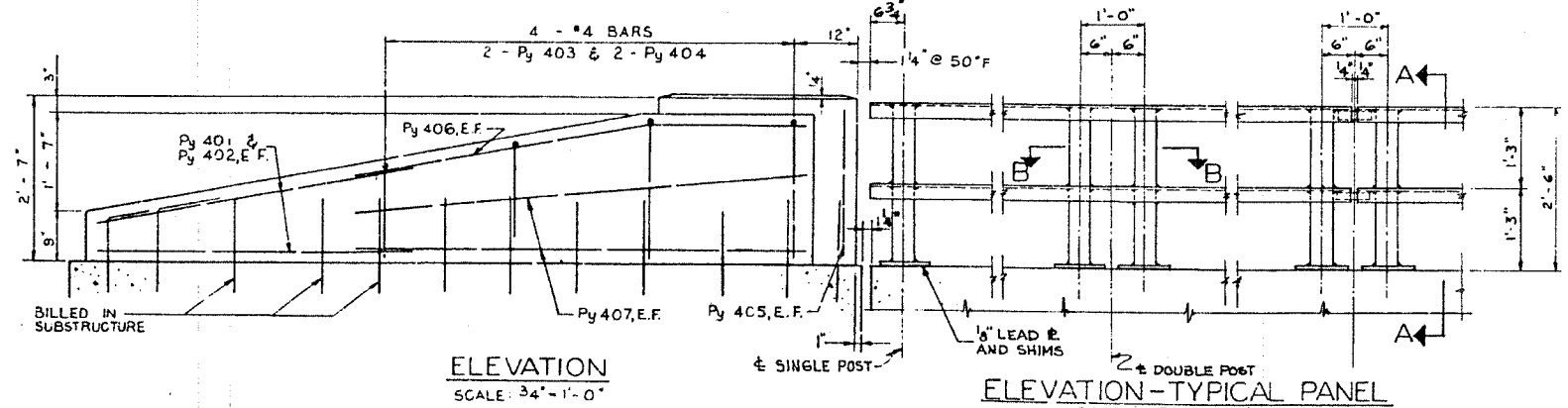
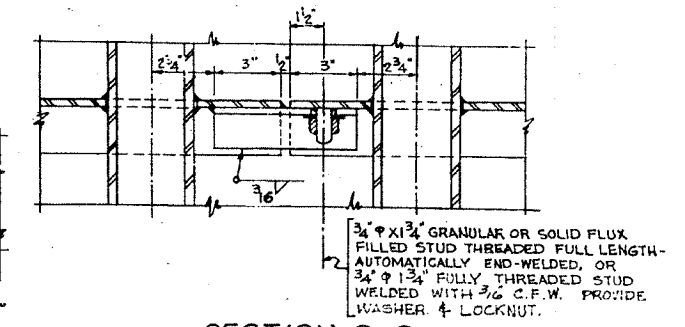
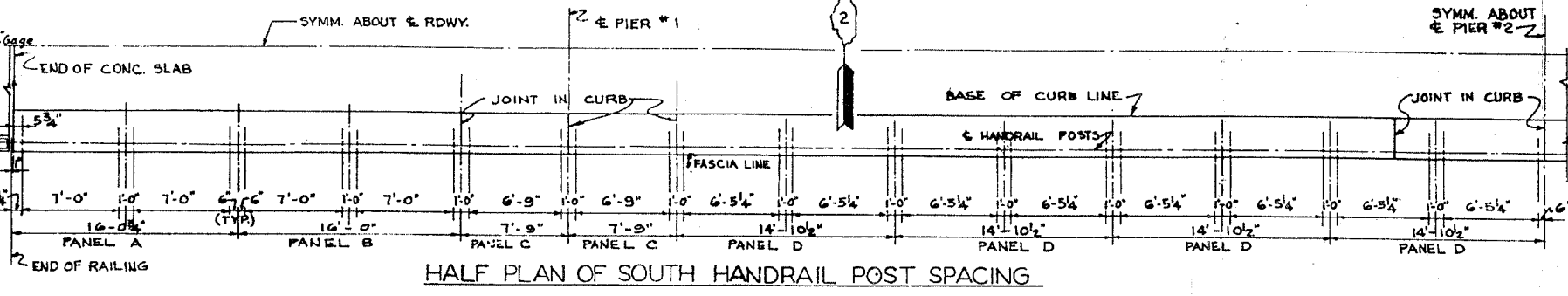
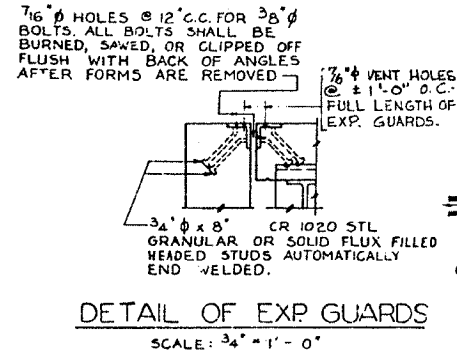
GUARD SETTING INSTRUCTIONS:

- JOINT OPENINGS SHOWN ON GUARD DETAILS ARE BASED ON AN ASSUMED TEMPERATURE OF 50°F. THE OPENING ALSO INCLUDES A 1/2" ALLOWANCE FOR POSSIBLE FORWARD MOVEMENT AT THE TOP OF THE ABUTMENT DUE TO EARTH PRESSURE THRUST OF APPROACH SLAB, ETC. THE OPENING WILL INCREASE OR DECREASE APPROXIMATELY 3/32" FOR EACH 10°F DROP OR RISE IN TEMPERATURE.
- TOTAL ESTIMATED WEIGHT OF SUPER-STRUCTURE EXPANSION GUARDS = 1,457 LBS.

ROUTE NO.	SECTION	QUANTITY	TOTAL SHEETS	SHEET NO.
F.A.I. 80	37-1HB-1	HENRY	133	98
FBI. 0040 DIST. NO. 7		ILLINOIS	FEB. 24 '41	

EXPANSION GUARD ADJUSTMENT SCHEDULE

TEMPERATURE °F	110°	90°	70°	50°	30°	10°
OPENING @ ABUTMENTS	34"	15 1/8"	1 1/8"	1 1/4"	17 1/8"	19 1/8"



BILL OF REINFORCEMENT -

BAR	NO.	SIZE	LENGTH	SHAPE	WEIGHT
Py 401	8	#4	5'-1"		
Py 402	8	#4	5'-8"		
Py 403	8	#4	3'-9"		
Py 404	8	#4	5'-1"		
Py 405	8	#4	2'-3"		
Py 406	8	#4	6'-3"		
Py 407	16	#4	7'-0"		

BILL OF MATERIAL

ITEM	UNIT	QUANTITY
CLASS X CONCRETE	CU YD	5.8
REINFORCEMENT BARS	POUND	455
FURNISHING & ERECTING HANDRAIL	LIN FT	429
FURNISHING AND ERECTING STRUCTURAL STEEL	POUND	1,457

GENERAL NOTES

AFTER ERECTION ALL BOLTS AND WASHERS SHALL BE SPOT PAINTED WITH ONE COAT OF RED LEAD AND TWO COATS OF ALUMINUM PAINT. PROVIDE 1-8" AND 2-16" SHIMS FOR 50% OF THE POSTS.

COARSE AGGREGATE WHICH IS TO BE USED IN CLASS X CONCRETE FOR HANDRAIL PARAPETS SHALL BE ABSOLUTELY FREE FROM CHERT, FLINT, LIMONITE, LIGNITE, AND SOFT SANDSTONE.

EXPANSION GUARDS, HANDRAIL AND PYLON DETAILS

F.A.I. 80 SECTION 37-1HB-1
F.A.I. 80 UNDER S.B.1-7 (ALT.)

HENRY COUNTY
STATION 461 + 72.02

SCALE: AS NOTED DATE:

BAR - Py 406

DE LEUW, CATHEN & CO. ENGINEERS
DESIGNED BY V. B. BURKEVICS
DRAWN BY M. V. F.H.
CHECKED D. H. MEHLWACKER
IN CHARGE E. S. MARTINS
APPROVED L. N. RIAN

BAR - Py 403 & 404

