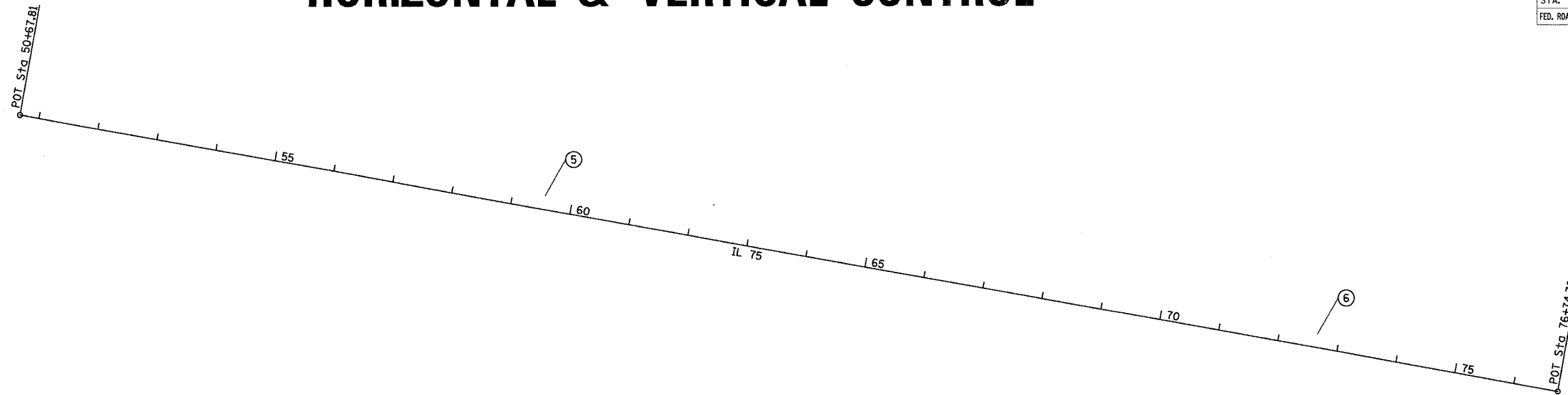


# HORIZONTAL & VERTICAL CONTROL

CONTRACT NO. 64940				
F.A.P. RTE.	SECTION	COUNTY	TOTAL SHEETS	SHEET NO.
505	115BR-1	WINNEBAGO	35	5
STA.	TO STA.			
FED. ROAD DIST. NO.	ILLINOIS	FED. AID PROJECT		



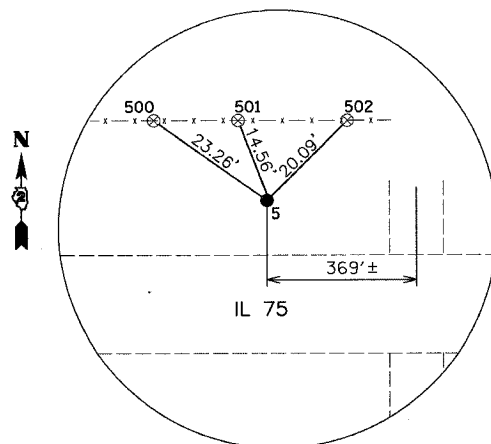
Chain ALIGN75 contains:  
21 22

Beginning chain ALIGN75 description

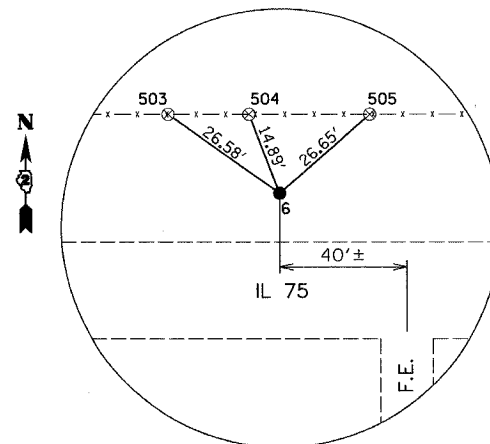
Point 21	N 2,098,949.6100	E 2,564,994.0700	Sta 50+67.810
Course from 21 to 22	S 79° 46' 20.57" E	Dist 2,606.5680	
Point 22	N 2,098,486.7900	E 2,567,559.2200	Sta 76+74.378

Ending chain ALIGN75 description

REFERENCE TIES				
POINT	CHAIN	STATION	OFFSET	DESCRIPTION
500	ALIGN 75	59+30.92	35.55' LT.	SURVEY NAIL & SQUARE WASHER IN WOOD FENCE POST
501	ALIGN 75	59+46.98	35.26' LT.	SURVEY NAIL & SQUARE WASHER IN WOOD FENCE POST
502	ALIGN 75	59+77.27	35.38' LT.	SURVEY NAIL & SQUARE WASHER IN WOOD FENCE POST
503	ALIGN 75	72+44.78	37.22' LT.	SURVEY NAIL & SQUARE WASHER IN WOOD FENCE POST
504	ALIGN 75	72+61.74	36.78' LT.	SURVEY NAIL & SQUARE WASHER IN WOOD FENCE POST
505	ALIGN 75	72+76.88	36.77' LT.	SURVEY NAIL & SQUARE WASHER IN WOOD FENCE POST



HORIZONTAL CONTROL  
POINT No. 5



HORIZONTAL CONTROL  
POINT No. 6

HORIZONTAL CONTROL POINTS							
POINT	NORTH	EAST	ELEVATION	CHAIN	STATION	OFFSET	DESCRIPTION
5	2098814.568	2565870.048	731.78	ALIGN 75	59+53.85	22.64' LT.	IRON ROD CAPPED
6	2098582.296	2567158.508	732.06	ALIGN 75	72+63.08	22.84' LT.	IRON ROD CAPPED

BENCH MARKS							
POINT	NORTH	EAST	ELEVATION	CHAIN	STATION	OFFSET	DESCRIPTION
406	2098703.950	2566258.260	728.74	ALIGN 75	63+55.53	17.29' RT.	CHISELED SQUARE TOP OF S.E. WING WALL OF BRIDGE
407	2098844.380	2565439.250	733.61	ALIGN 75	55+24.60	24.51' RT.	CHISELED SQUARE EAST HEADWALL 3RD P.E. OF STRUCTURE