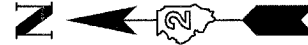


STATE OF ILLINOIS
DEPARTMENT OF TRANSPORTATION



ROUTE NO.	SECTION	COUNTY	SHEET NO.	SHEET TOTAL
FAP 505	115 BR-1	WINNEBAGO	35	14
FED. ROAD DIST. NO.	ALPMS	FED. AID PROJECT		

Contract #64940

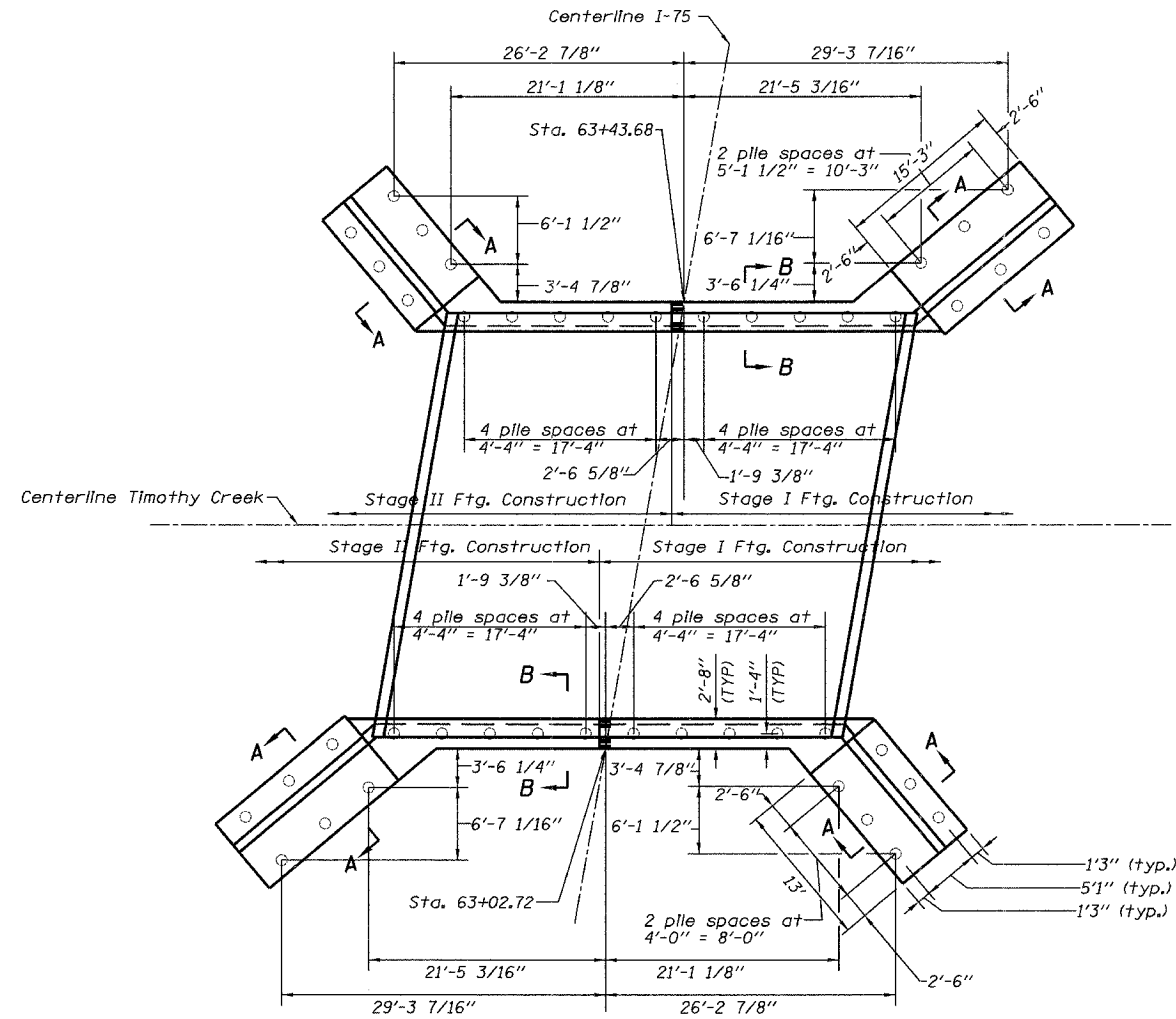
PILE DATA

East Abutment Type: 12" Ø Metal Shells
Capacity: 43 Ton
Est. Length: 45'
No. Required: 9 Plus 1 Test Pile

West Abutment Type: 12" Ø Metal Shells
Capacity: 43 Ton
Est. Length: 53'
No. Required: 10

East Wingwalls Type: 12" Ø Metal Shells
Capacity: 32 Ton
Est. Length: 43'
No. Required: 12

West Wingwalls Type: 12" Ø Metal Shells
Capacity: 32 Ton
Est. Length: 46'
No. Required: 12



Notes:
See Sheet 4 of 12 for Section B-B.
See Sheet 7 of 12 for Section A-A.

DESIGNED	JLS
CHECKED	JDA
DRAWN	NOE
CHECKED	JLS

PILE LAYOUT
IL RTE 75 OVER
TIMOTHY CREEK
FAP ROUTE 505
SECTION 115BR-1
WINNEBAGO COUNTY
STA. 63+23.20
SN 101-0183