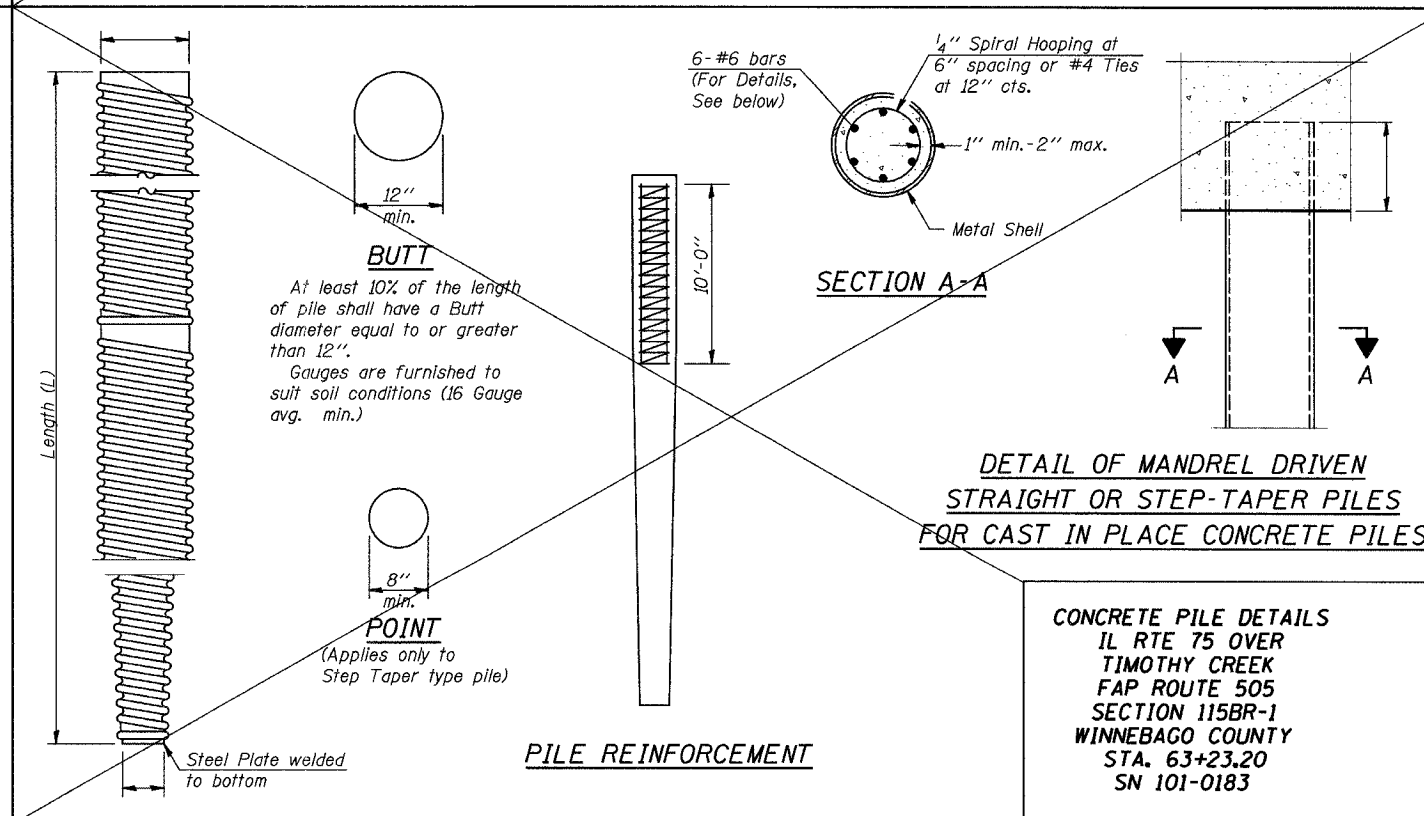
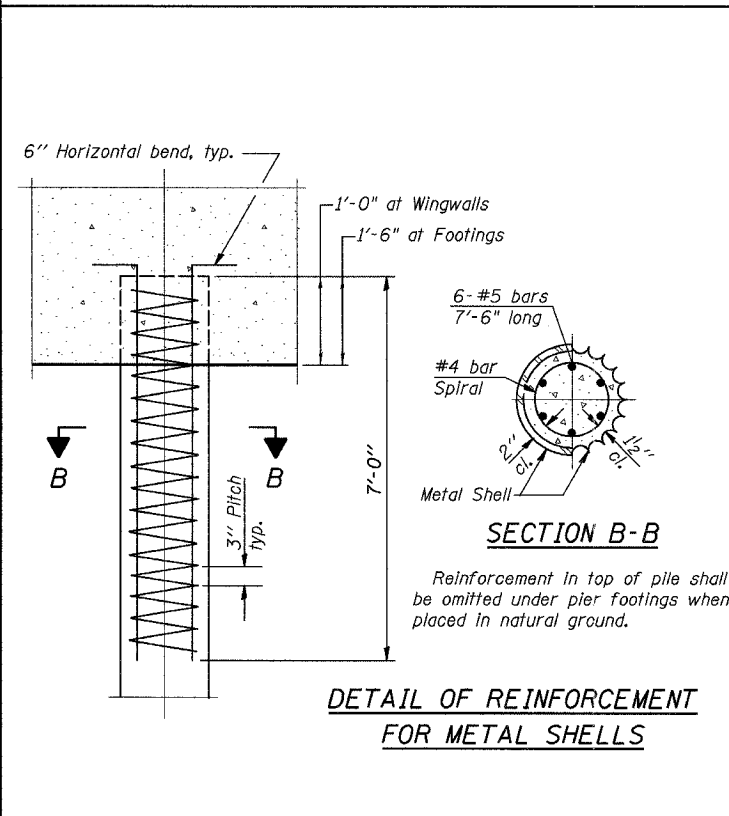
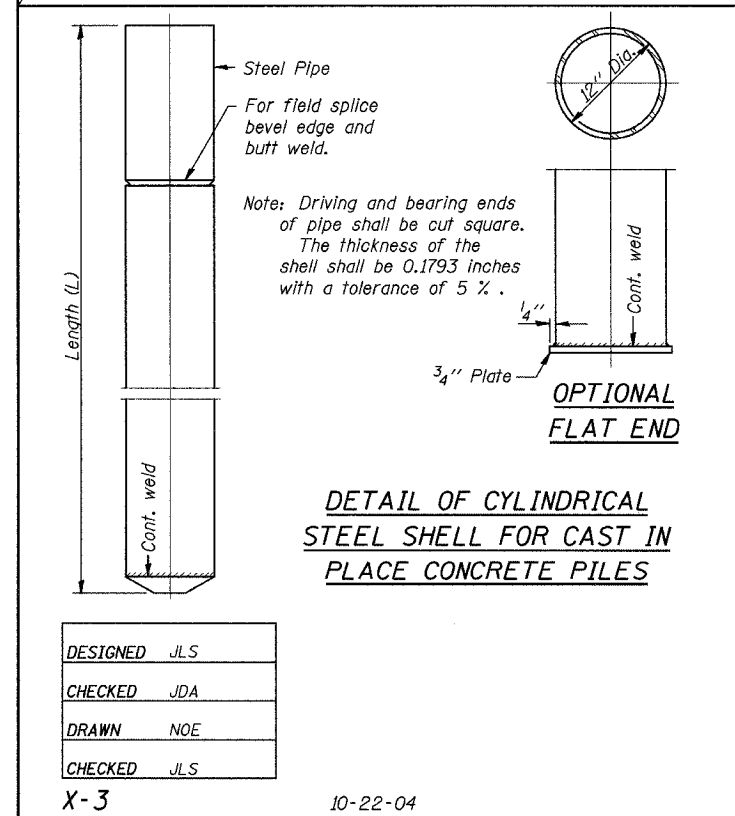
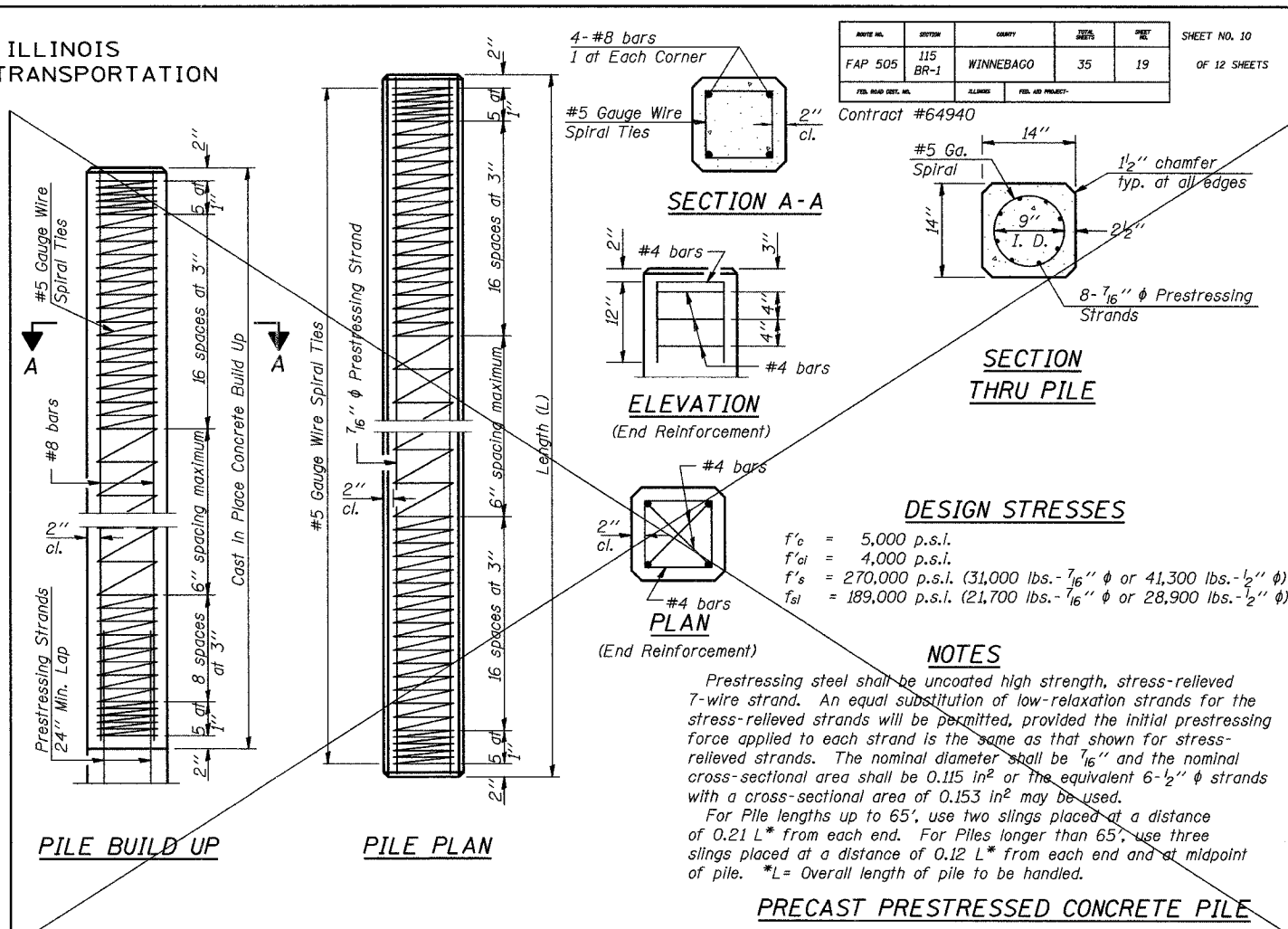
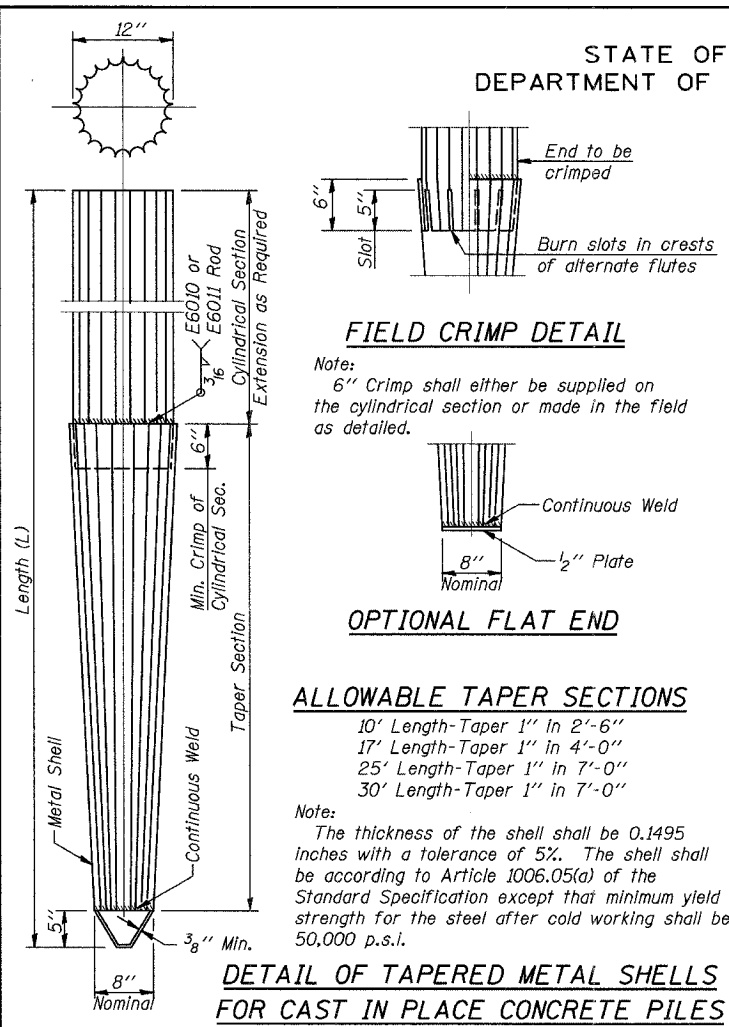
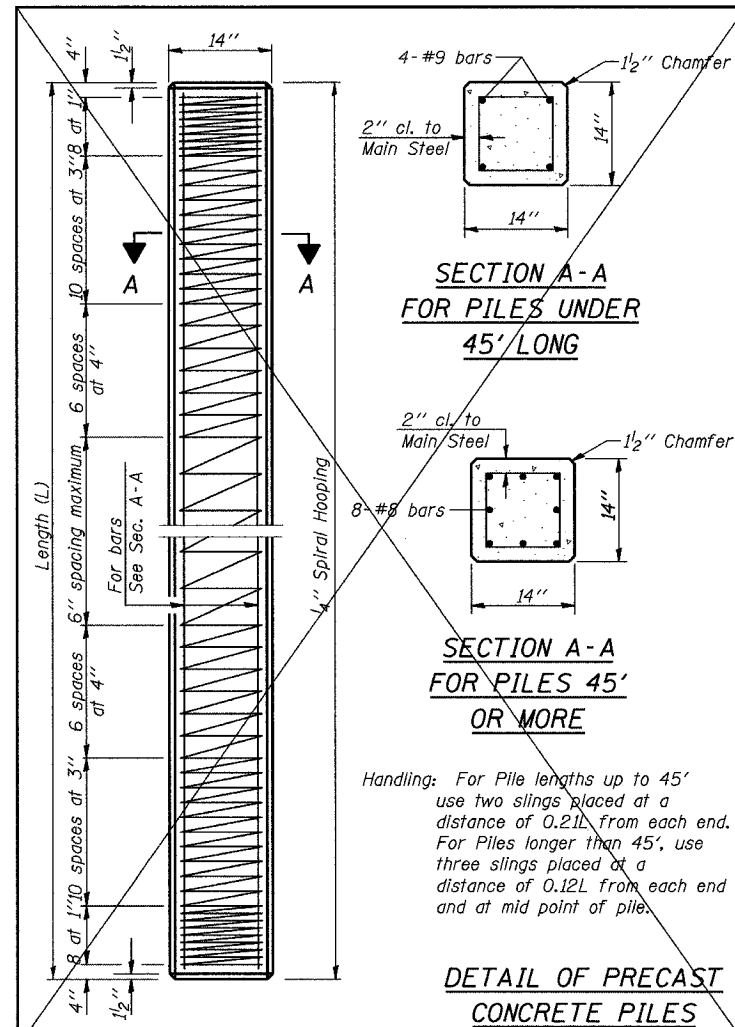


STATE OF ILLINOIS
DEPARTMENT OF TRANSPORTATION

PROJECT NO.	SECTION	COUNTY	DATE	SHEET NO.
FAP 505	115 BR-1	WINNEBAGO	35 19	10
SHEET NO. 10 OF 12 SHEETS				



DESIGNED	JLS
CHECKED	JDA
DRAWN	NOE
CHECKED	JLS

CONCRETE PILE DETAILS
IL RTE 75 OVER
TIMOTHY CREEK
FAP ROUTE 505
SECTION 115BR-1
WINNEBAGO COUNTY
STA. 63+23.20
SN 101-0183