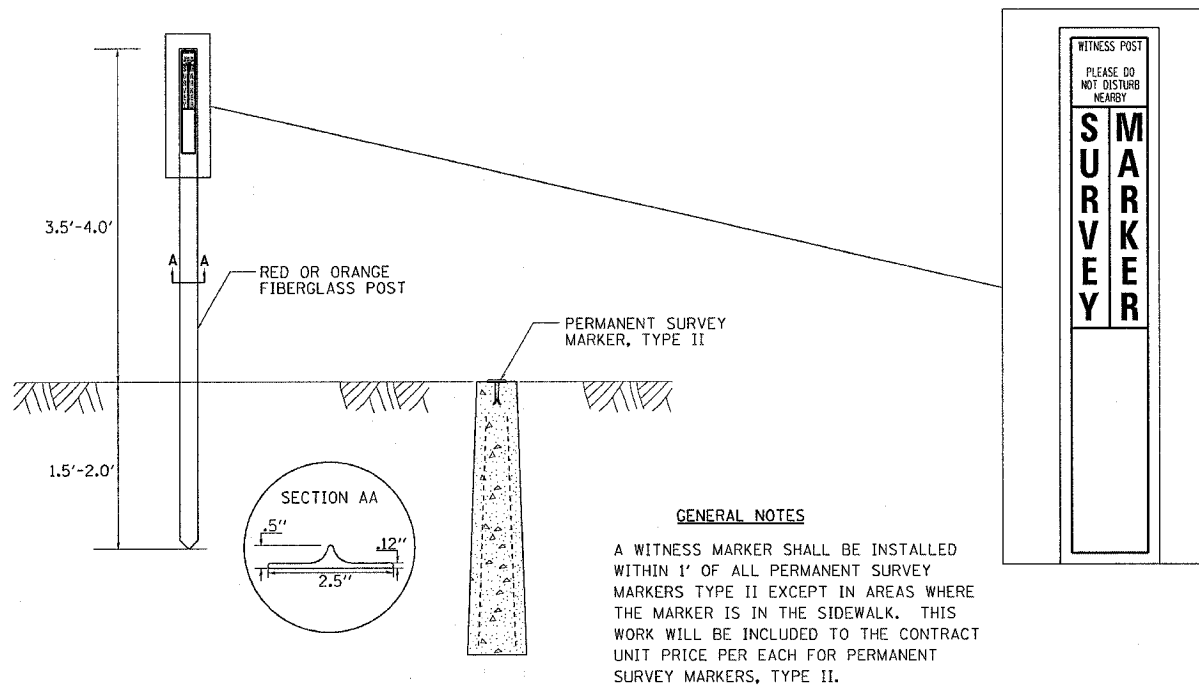
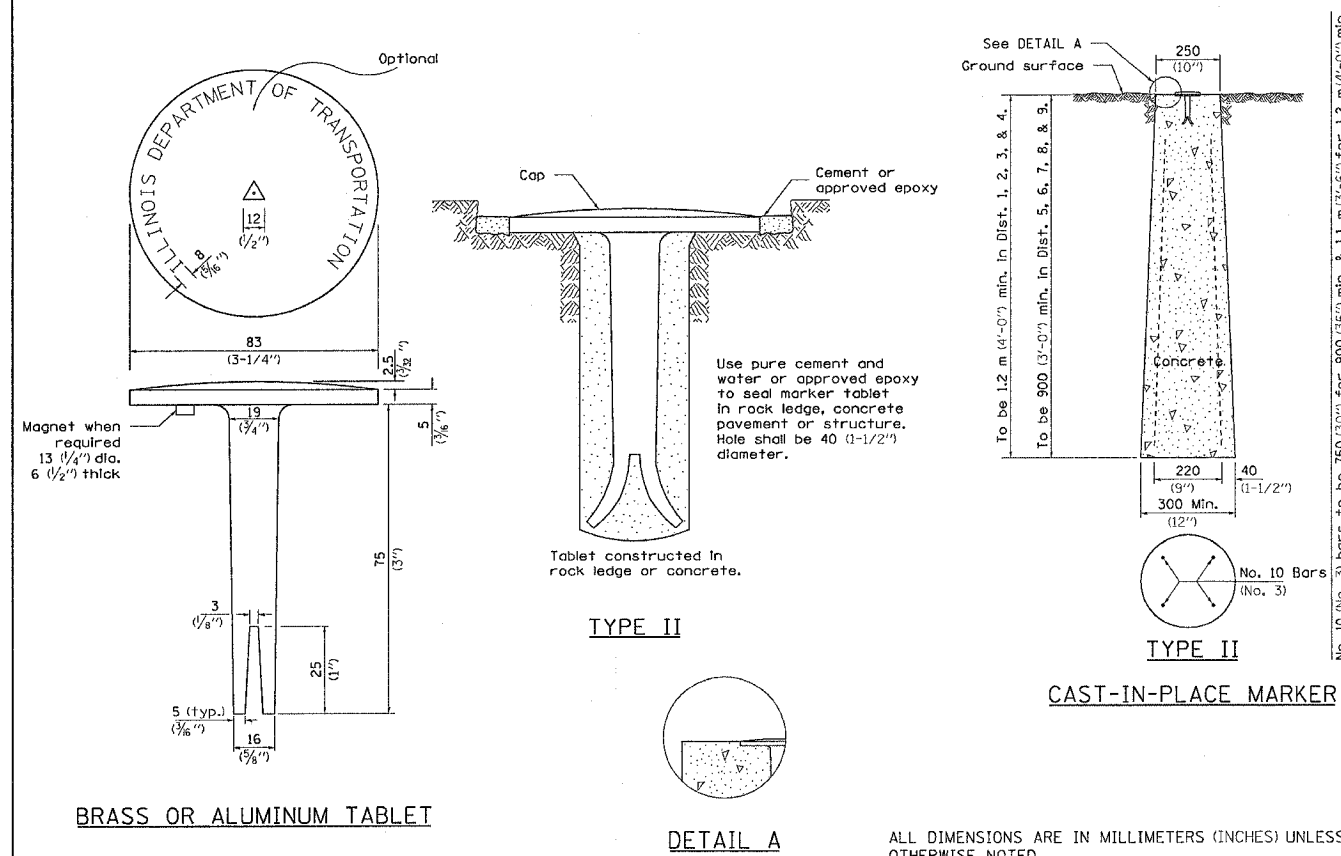


F.A.P. RTE.	SECTION	COUNTY	TOTAL SHEETS	SHEET NO.
505	115BR-1	WINNEBAGO	35	31A
STA.		TO STA.		
FED. ROAD DIST. NO.	ILLINOIS	FED. AID PROJECT		

WITNESS MARKER FOR PERMANENT SURVEY MARKERS, TYPE II



PERMANENT SURVEY MARKERS, TYPE II



PLOT DATE = Wed Jun 28 08:27:21 2006
 FILE NAME = C:\p\c\sets\halla\2071825PL.dgn
 PLOT SCALE = 50.0000 / IN.
 REFERENCE = NONE