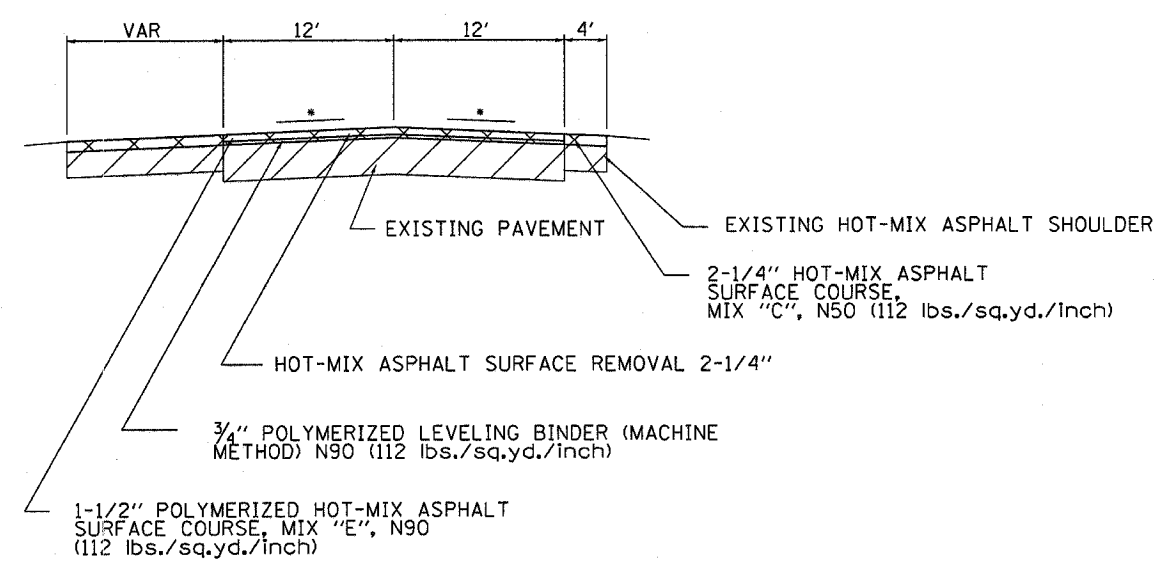


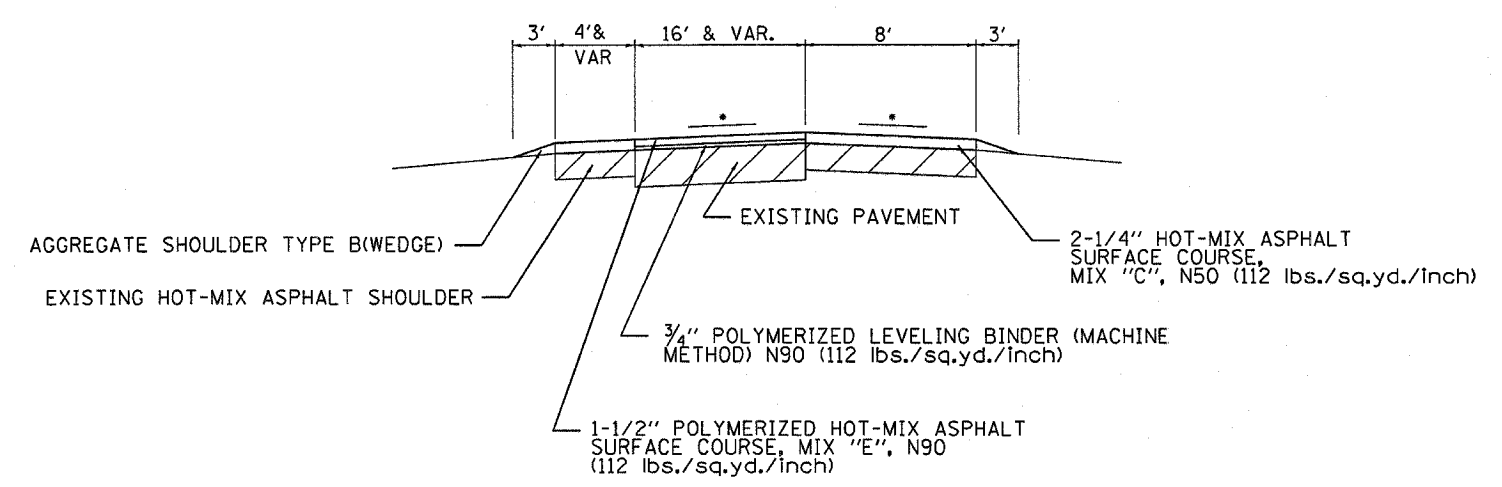
F.A.P. R'E.	SECTION	COUNTY	TOTAL SHEETS	SHEET NO.
301	12.3.4185	WINNEBAGO	46	8
STA. _____ TO STA. _____		ILLINOIS FED. AID PROJECT		

TYPICAL SECTIONS

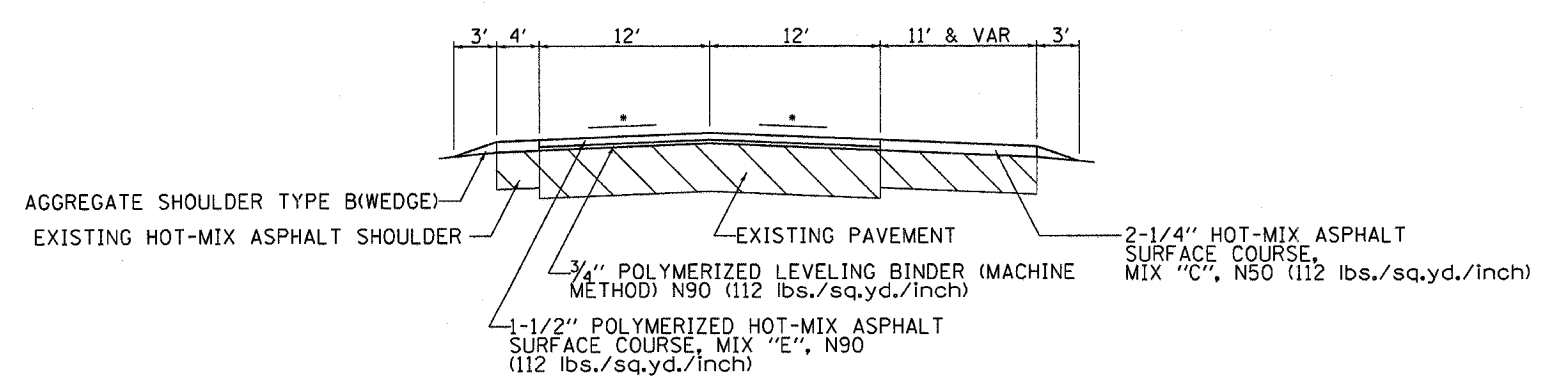
US20
WESTBOUND
STA.406+51 - STA.412+30
STA.488+35 - STA.493+49



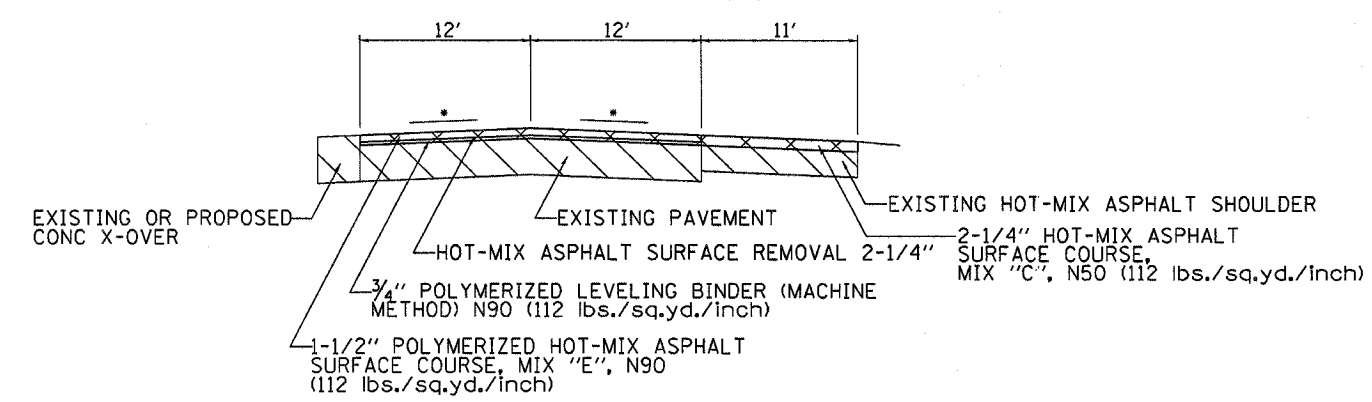
US20
RAMPS



US20
EASTBOUND
STA.275+75 - STA.280+40
STA.287+10 - STA.304+10
STA.310+45 - STA.329+20
STA.341+55 - STA.404+98
STA.414+01 - STA.440+30
STA.483+55 - STA.485+01
STA.497+49 - STA.504+85
STA.510+95 - STA.540+40
STA.593+25 - STA.659+55
STA.666+66 - STA.685+13



US20
EASTBOUND
STA.280+40 - STA.287+10
STA.504+85 - STA.510+95
STA.817+67 - STA.824+33
STA.859+65 - STA.866+35



PLOT DATE = Mon Oct 16 13:25:09 2006
 FILE NAME = P:\E\cvt\US20\cvt\pnt\37a\typical.dgn
 PLOT SCALE = 50.0000 / IN.
 USER NAME = mckleale

* MATCH EXISTING SLOPE
(MIN. 1/8" / FT CROSS SLOPE)

REVISIONS	
NAME	DATE

ILLINOIS DEPARTMENT OF TRANSPORTATION

SCALE: VERT. _____
HORIZ. _____

DATE _____ DRAWN BY _____
CHECKED BY _____