

| F.A.P. RTE. | SECTION | COUNTY | TOTAL SHEETS | SHEET NO. |
|---------------------|-----------|---------------------------|--------------|-----------|
| 301 | (2,3,4)RS | WINNEBAGO | 46 | 31 |
| STA. | | TO STA. | | |
| FED. ROAD DIST. NO. | | ILLINOIS FED. AID PROJECT | | |

ROUGH GROOVED SURFACE SIGN

ILLINOIS STANDARD W8-I107
SIGN PANEL TYPE 1



COLOR: LEGEND AND BORDER - BLACK NON-REFLECTIVE
BACKGROUND - ORANGE REFLECTORIZED

| SIGN SIZE | DIMENSIONS | | | | | | | |
|----------------------|----------------|---------------|-------------|---------------|---------------|--------------|---------------|-------------|
| | A | B | C | D | E | F | G | H |
| 1200x1200 (48x48) | 1200 (48.0) | 600 (24.1) | 75 (3.0) | 850 (34.0) | 825 (33.0) | 150 (6.0) | 325 (13.0) | 88 (3.5) |

| SIGN SIZE | SERIES | | | MARGIN | BORDER | BLANK STD. |
|----------------------|--------|----|----|-------------|-------------|------------|
| | LINES | | | | | |
| | 1 | 2 | 3 | | | |
| 1200x1200 (48x48) | 7C | 7C | 7C | 20 (0.8) | 30 (1.2) | B4-48D |

ALL DIMENSIONS IN INCHES.

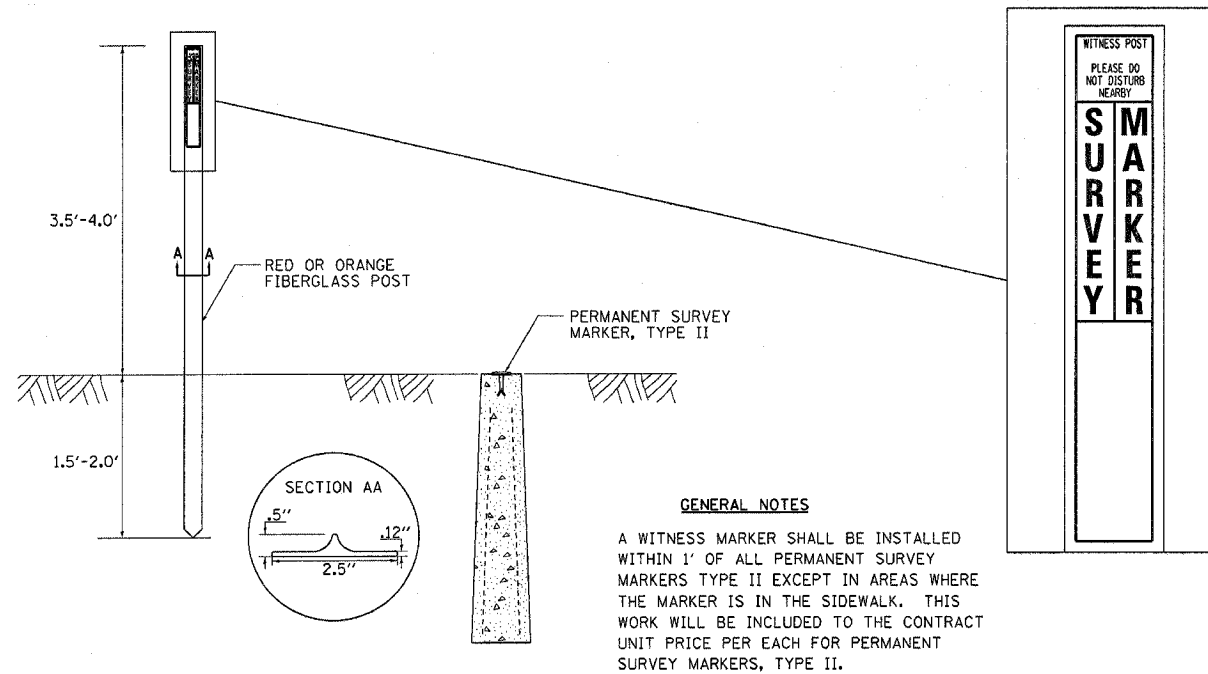
GENERAL NOTES

SIGN PANELS AND FACE MATERIALS SHALL BE ACCORDING TO SECTION 720 OF THE STANDARD SPECIFICATIONS
METAL POSTS SHALL BE IN ACCORDANCE WITH STD. 720011.

ALL MOUNTING HARDWARE SHALL BE ALUMINUM, STAINLESS STEEL, ZINC OR CADMIUM PLATED STEEL AND SHALL BE INCIDENTAL TO THE COST OF THE INSTALLATION.

ALL DIMENSIONS ARE IN MILLIMETERS (INCHES) UNLESS OTHERWISE NOTED.

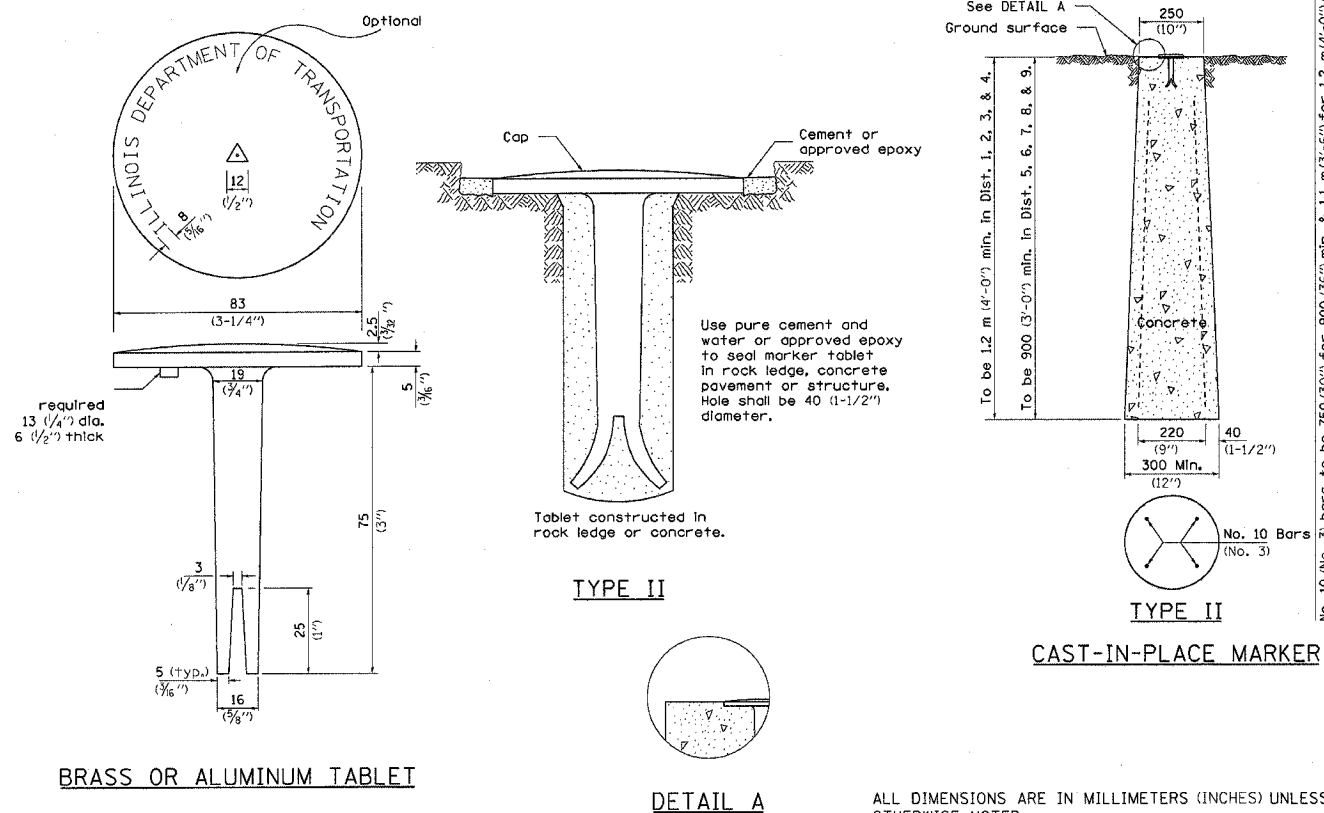
WITNESS MARKER FOR PERMANENT SURVEY MARKERS, TYPE II



GENERAL NOTES

A WITNESS MARKER SHALL BE INSTALLED WITHIN 1' OF ALL PERMANENT SURVEY MARKERS TYPE II EXCEPT IN AREAS WHERE THE MARKER IS IN THE SIDEWALK. THIS WORK WILL BE INCLUDED TO THE CONTRACT UNIT PRICE PER EACH FOR PERMANENT SURVEY MARKERS, TYPE II.

PERMANENT SURVEY MARKERS, TYPE II



No. 10 (No. 3) bars to be 750 (30") for 900 (36") min. & 1.1 m (3'-6") for 1.2 m (4'-0") min.

ALL DIMENSIONS ARE IN MILLIMETERS (INCHES) UNLESS OTHERWISE NOTED.

PLOT DATE = Mon, Oct 16 14:42:48 2006
FILE NAME = P:\Excel\US26\surfmrkng\smal13913_28-9871\leaf\omkudr-na\2065920E1.dgn
SCALE = 800000 / IN.
REFERENCE = BRG/P