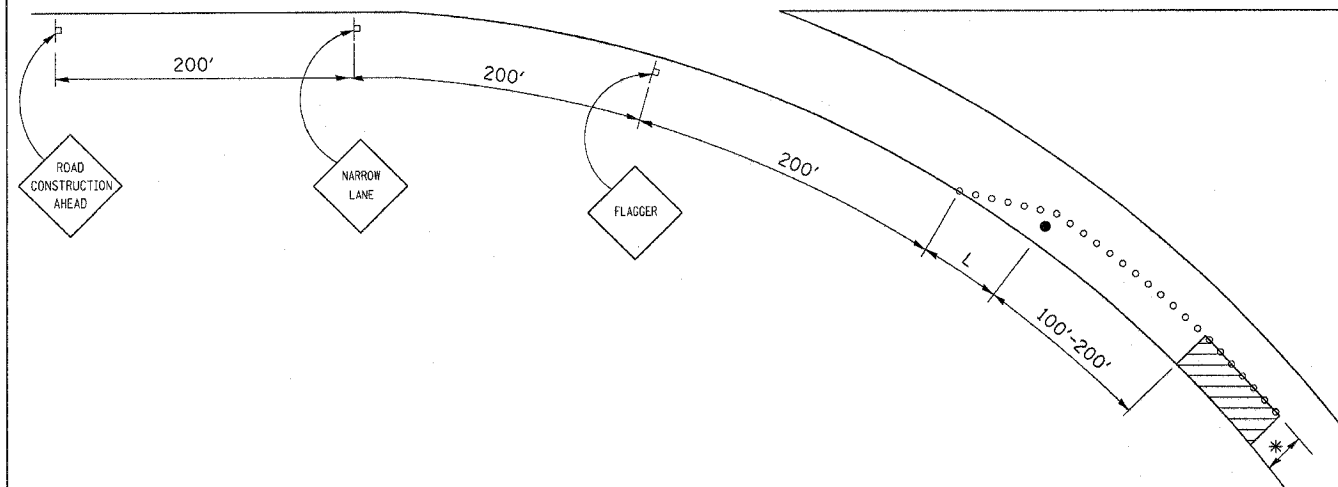


F.A.P. RTE.	SECTION	COUNTY	TOTAL SHEETS	SHEET NO.
301	(2,3,4)RS	WINNEBAGO	46	32
STA.		TO STA.		
FED. ROAD DIST. NO.		ILLINOIS FED. AID PROJECT		

TRAFFIC CONTROL AND PROTECTION FOR RAMPS

SLOTTED DRAIN CONNECTION DETAIL



GENERAL NOTES

CONES AT 8 m (25') CENTERS FOR 105 m (350'). ADDITIONAL CONES MAY BE PLACED AT 15 m (50') CENTERS. WHEN DRUMS OR BARRICADES ARE USED, THE INTERVAL DEVICES MAY BE DOUBLED.

* WIDTH OF CLOSURE SHOWN ON RAMP PATCHING SCHEDULE OR AS DIRECTED BY ENGINEER.

L = CLOSURE WIDTH * TAPER RATIO IS SPEED LIMIT / 1 (POSTED OR ADVISORY)

ANY VISIBLE REPAIRS REQUIRED ON THE SHOULDER BECAUSE OF TRAFFIC SHALL BE PROVIDED AT THE CONTRACTORS EXPENSE. THE ENGINEER SHALL BE THE SOLE JUDGE FOR ANY SHOULDER REPAIRS.

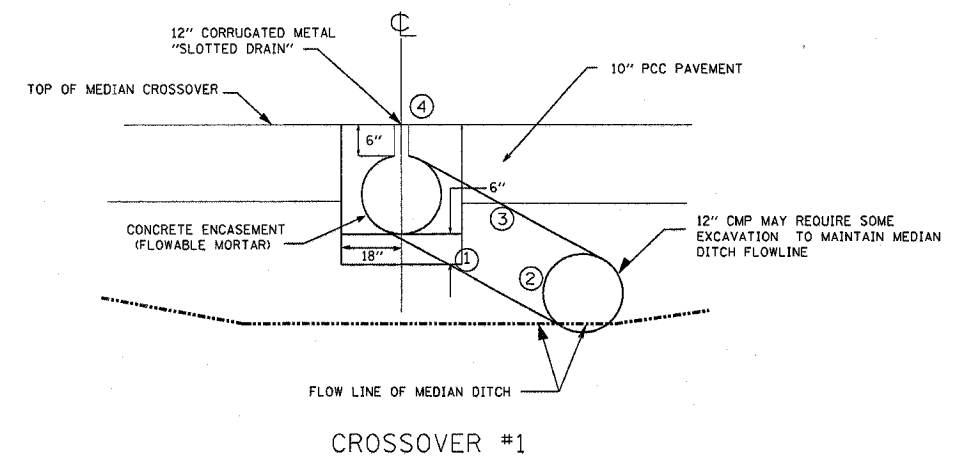
THE RAMP SHALL BE COMPLETELY OPEN TO TRAFFIC BY NIGHTFALL.

TRAFFIC CONTROL AND PROTECTION FOR RAMPS SHALL BE INCLUDED IN THE COST OF STANDARD 701406 OR 701401

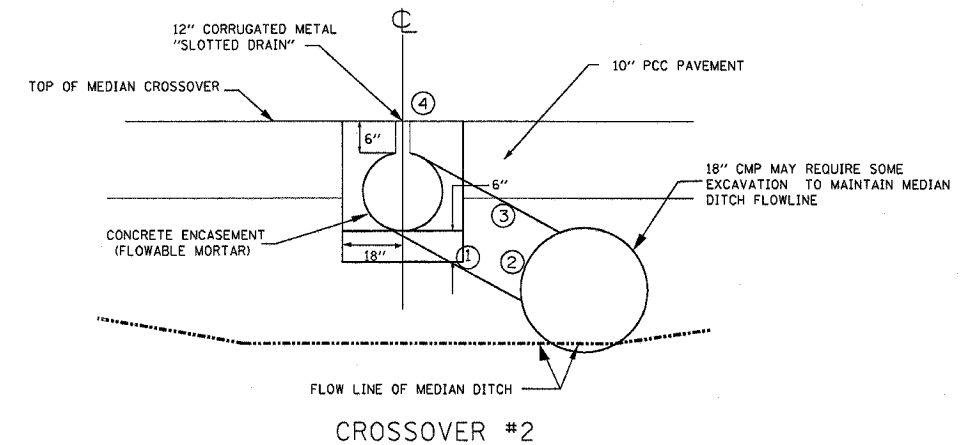
SYMBOLS

- WORK AREA
- SIGN
- BARRICADE OR DRUM
- CONE, DRUM OR BARRICADE
- FLAGGER WITH TRAFFIC CONTROL SIGN

ALL DIMENSIONS ARE IN MILLIMETERS (INCHES) UNLESS OTHERWISE NOTED.



CROSSOVER #1



CROSSOVER #2

- 1) 12" CMP ELBOW
- 2) CMP TEE SECTION WITH 12" RISER
- 3) 12" COUPLING BAND
- 4) DUCT TAPE OR WOOD BLOCKS SHALL BE USED TO COVER SLOTTED DRAIN DURING CONSTRUCTION OF CROSSOVER PAVING

NOTES:
SLOTTED DRAIN SHALL BE CONSTRUCTED OF 14-GAUGE CORRUGATED METAL ROADWAY PIPE MODIFIED TO ACCOMMODATE SLOTTED DRAIN AS SHOWN.

ELBOWS, TEES AND CAPS SHALL BE CONSIDERED INCIDENTAL TO THE SLOTTED DRAIN PIPE.

FLOWABLE MORTAR SHALL BE INCLUDED IN THE COST OF THE SLOTTED DRAIN.

EXCAVATION TO MAINTAIN MEDIAN DITCH FLOWLINE SHALL BE INCLUDED IN THE COST OF THE SLOTTED DRAIN.

PLOT DATE = Mon Oct 16 14:21:31 2006
 FILE NAME = P:\Excel\US28\currunghen\3819-28-06\11aefromaudr-no_206-9806T.dgn
 PLOT SCALE = 0.000000 / IN.
 REFERENCE = REF#