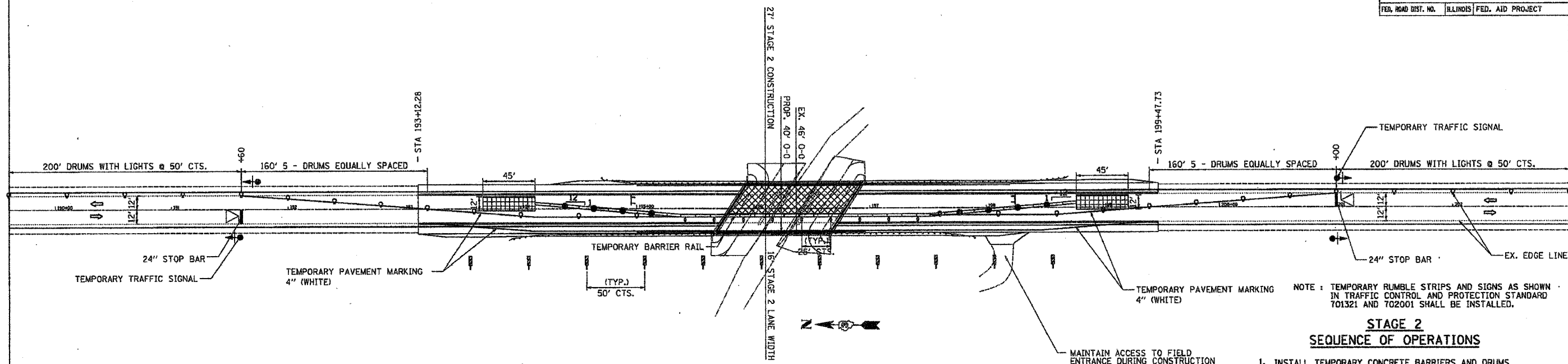


F.A.P. RTE.	SECTION	COUNTY	TOTAL SHEETS	SHEET NO.
840	139 BR-1	KANKAKEE	69	16
STA.		TO STA.		
FED. ROAD DIST. NO.		ILLINOIS FED. AID PROJECT		

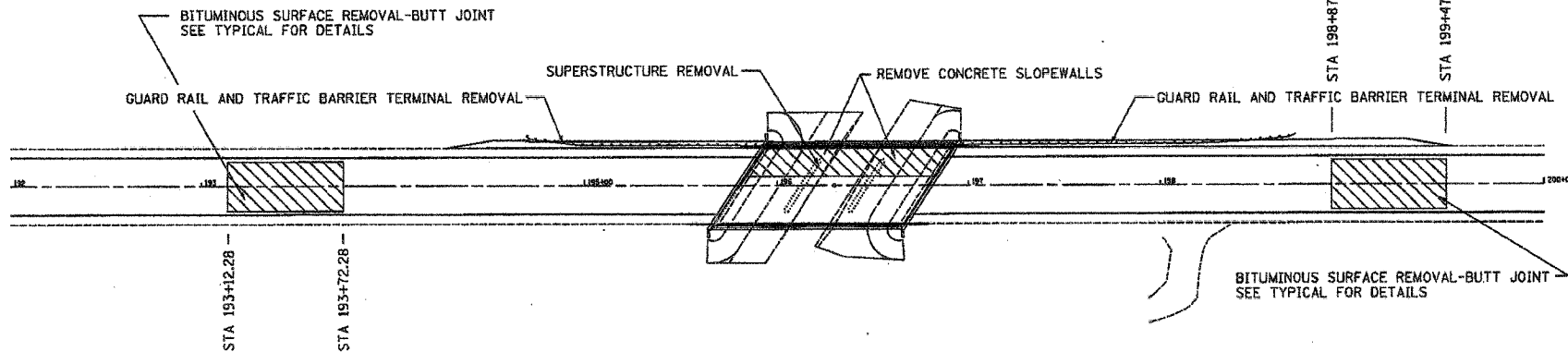


**TRAFFIC CONTROL SCHEMATIC**

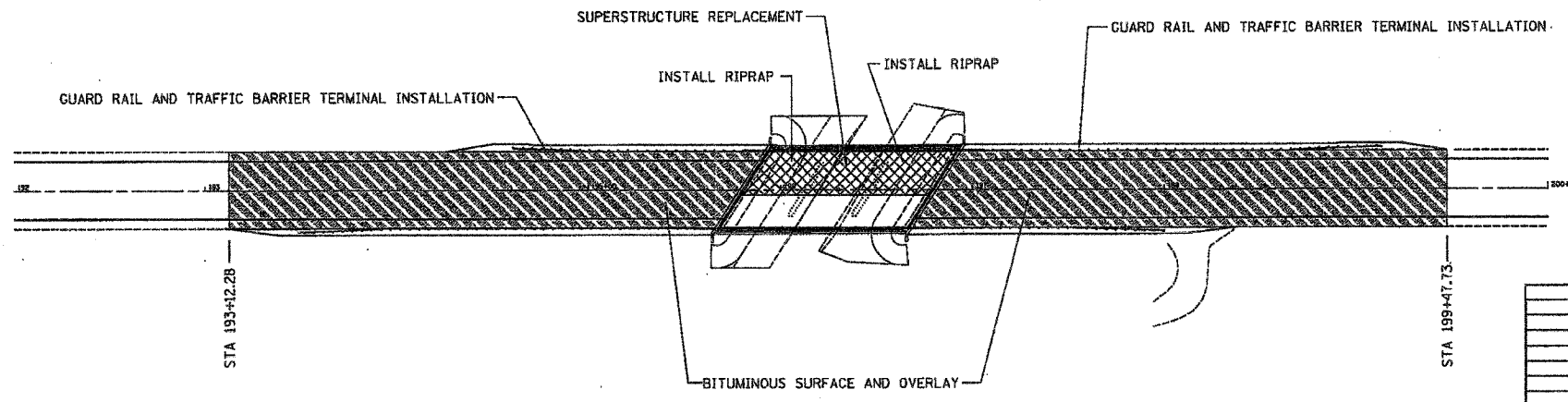
NOTE: TEMPORARY RUMBLE STRIPS AND SIGNS AS SHOWN IN TRAFFIC CONTROL AND PROTECTION STANDARD 701321 AND 702001 SHALL BE INSTALLED.

**STAGE 2 SEQUENCE OF OPERATIONS**

1. INSTALL TEMPORARY CONCRETE BARRIERS AND DRUMS USING TRAFFIC CONTROL AND PROTECTION STANDARDS 701006 AND 701201. ALL OTHER ITEMS AS PER THESE DETAILS AND AS PER LANE CLOSURE 2L, 2W, BRIDGE REPAIR WITH BARRIER STANDARD 701321. BEGIN OPERATING UNDER STAGE 2 TRAFFIC CONDITIONS.
2. REMOVE ALL REMAINING EXISTING ITEMS SUCH AS GUARDRAIL, TRAFFIC BARRIER TERMINALS, CONCRETE SLOPEWALLS AND REMAINING PORTIONS OF EXISTING SUPER-STRUCTURE.
3. INSTALL RIPRAP. CONSTRUCT NEW PORTIONS OF PROPOSED SUPER-STRUCTURE, BACKFILL AND COMPACT AND INSTALL TRAFFIC BARRIER TERMINALS AND GUARDRAIL.
4. REMOVE ALL TEMPORARY TRAFFIC CONTROL DEVICES. INSTALL LEVELING COURSE OVERLAY, SURFACE COURSE OVERLAY OF TRAFFIC LANES AND SHOULDERS. PLACE FINAL STRIPING. ALL OF WORK WILL BE DONE IN ACCORDANCE WITH STANDARDS 701306, 701311 AND 702001.



**REMOVAL SCHEMATIC**



**CONSTRUCTION SCHEMATIC**

**LEGEND**

- STRUCTURAL WORK AREA
- REMOVAL AREA (SEE NOTES)
- HMA OVERLAY
- TYPE III BARRICADE
- MICROWAVE DETECTOR
- TRAFFIC SIGNALS WITH BACKPLATE DRUM WITH STEADY BURNING LIGHT
- STOP LINE 24"
- TEMPORARY IMPACT ATTENUATOR (NON-REDIRECTIVE) RESERVE AREA
- DOUBLE VERTICAL PANEL
- TYPE C BIDIRECTIONAL REFLECTOR
- STEADY BURNING LIGHTS AND DOUBLE VERTICAL PANEL

REVISIONS	
NAME	DATE

ILLINOIS DEPARTMENT OF TRANSPORTATION

**STAGE 2 CONSTRUCTION**

SCALE: VERT. HORIZ. DATE 10/13/2006 DRAWN BY C. SLUNTEN CHECKED BY M. ZELINSKAS

PLOT DATE = 10/13/2006  
 PLOT SCALE = AS SHOWN  
 USER NAME = JUSER  
 10/13/2006 10:00:00 AM