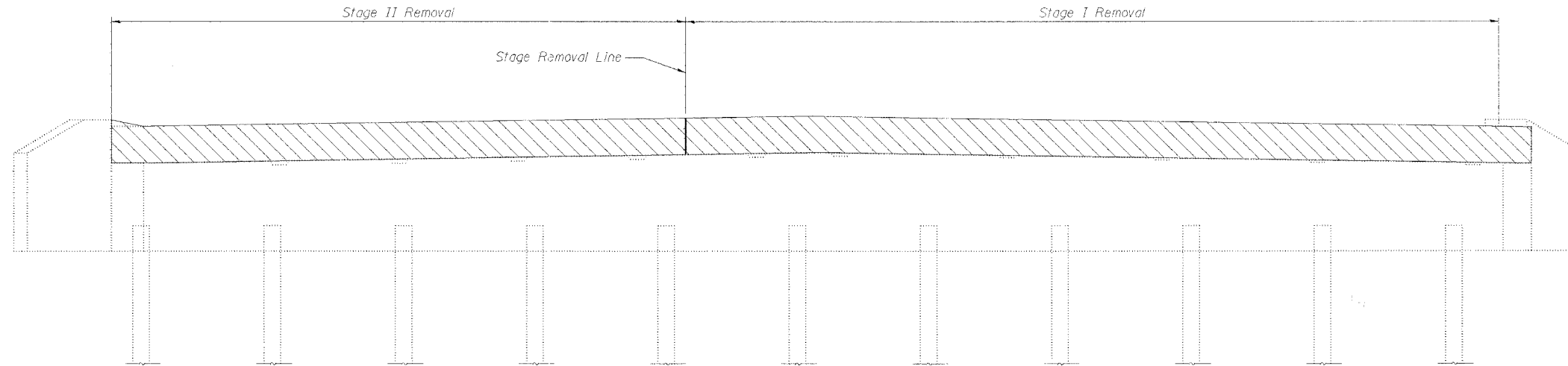


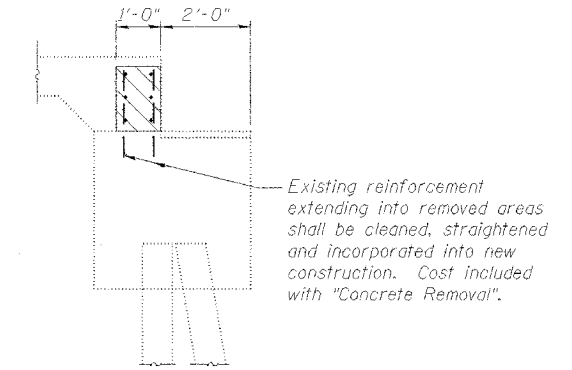
STATE OF ILLINOIS  
DEPARTMENT OF TRANSPORTATION

ROUTE NO.	SECTION	COUNTY	TOTAL SHEETS	SHEET NO.	SHEET NO. 10
F.A.P. 840	139 BR-1	KANKAKEE	69	26	13 SHEETS
FED. ROAD DIST. NO. 7	ILLINOIS	FED. AID PROJECT-			

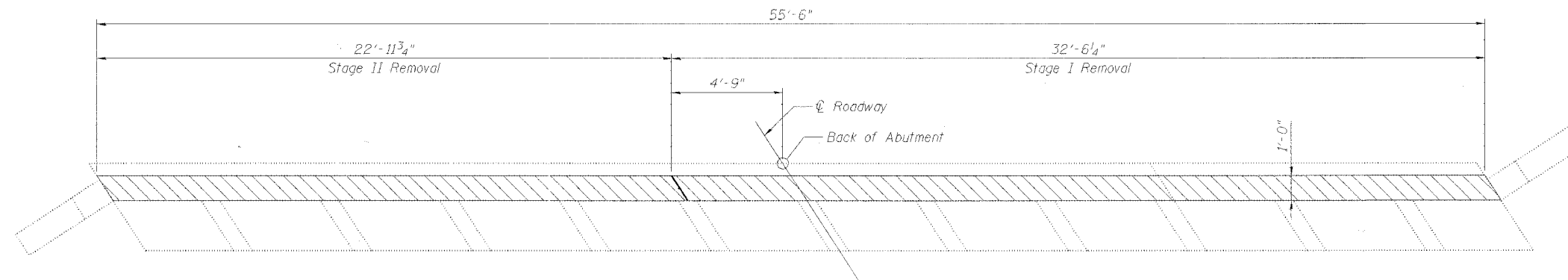
Contract #66543



**ELEVATION**  
(Looking South)  
(South Abutment shown  
North Abutment similar)



**SECTION THRU ABUTMENT**



**PLAN**

Note:  
For quantity of Concrete Removal,  
see sheets 11 and 12 of 13.

**LEGEND**

Indicates Concrete Removal

DESIGNED	S.D.S.
CHECKED	C.W.C.
DRAWN	L.M.G./D.L.H.
CHECKED	S.D.S.

**WHKS & CO.**  
ENGINEERS PLANNERS LAND SURVEYORS  
MASON CITY, IA EAST DUNDEE, IL AMES, IA SPRINGFIELD, IL ROCHESTER, MN

**CONCRETE REMOVAL DETAILS**  
**US ROUTE 45/52 OVER MINNIE CREEK**  
**F.A.P. 840 SEC. 139 BR-1**  
**KANKAKEE COUNTY**  
**STATION 196+30.00**  
**STRUCTURE NO. 046-0070**