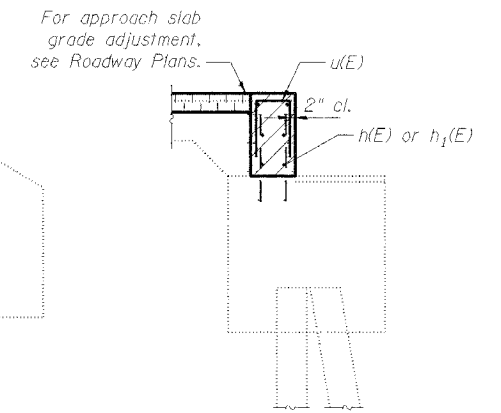
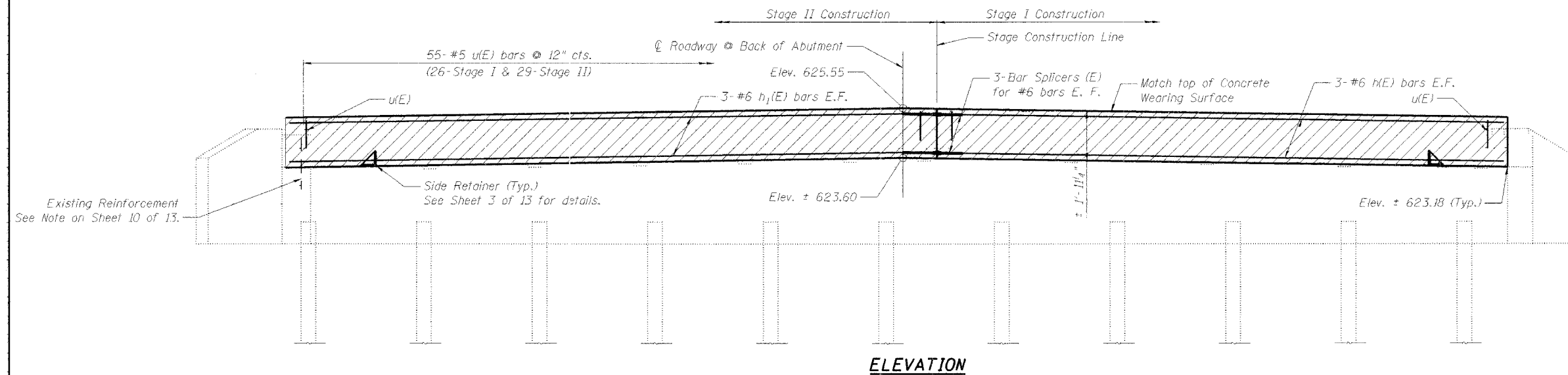


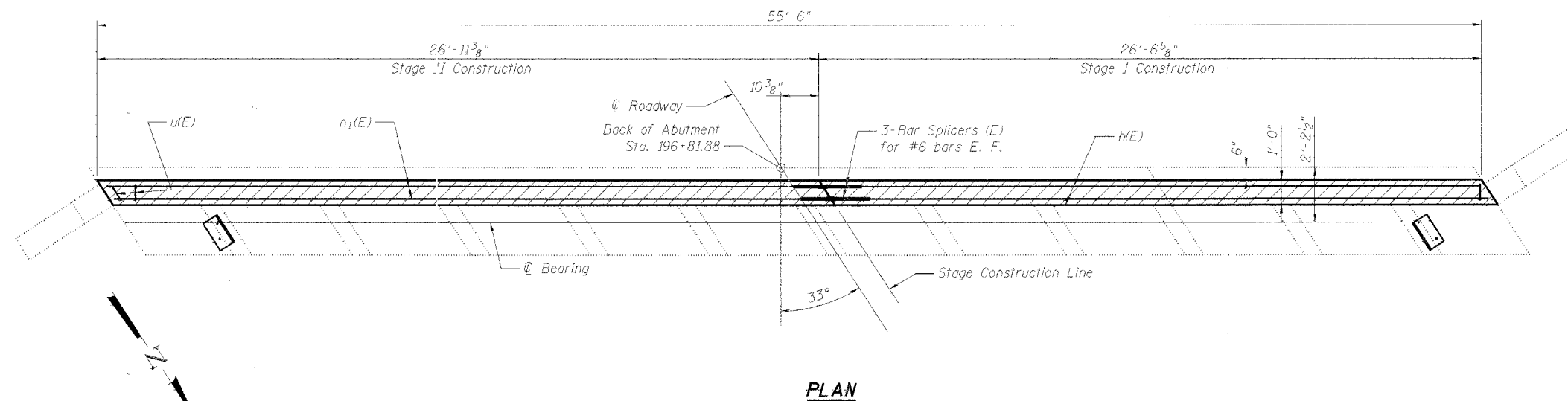
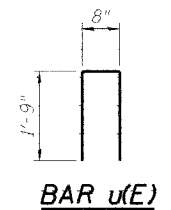
STATE OF ILLINOIS
DEPARTMENT OF TRANSPORTATION

ROUTE NO.	SECTION	COUNTY	TOTAL SHEETS	SHEET NO.	SHEET NO. 12
F.A.P. 840	139 BR-1	KANKAKEE	69	28	13 SHEETS
FED. ROAD DIST. NO. 7	ILLINOIS	FED. AID PROJECT-			

Contract #66543



Note:
Hatched area shall be poured after Concrete Wearing Surface is in place.
Side Retainer and shims shall be in-place prior to grouting of the shear keys.
After Concrete Wearing Surface is poured and cured the Side Retainer shall be removed.
Anchor bolts may be left in place.
Cost of Side Retainer and accessories is included with "Furnishing and Erecting Structural Steel".
For details of Side Retainer see Sheet 3 of 13.



**SOUTH ABUTMENT
BILL OF MATERIAL**

Bar	No.	Size	Length	Shape	
h(E)	6	#6	26'-3"	—	
h ₁ (E)	6	#6	28'-8"	—	
u(E)	55	#5	4'-2"	□	
Concrete Structures				Cu. Yd.	4.0
Reinforcement Bars				Pound	730
Epoxy Coated					730
Concrete Removal				Cu. Yd.	3.0

Reinforcement bars designated (E) shall be epoxy coated.

DESIGNED	S.D.S.
CHECKED	C.W.C.
DRAWN	L.M.G./D.L.H.
CHECKED	S.D.S.

WHKS & CO.

ENGINEERS PLANNERS LAND SURVEYORS

MASON CITY, IA EAST DUNDEE, IL ARLING, IA SPRINGFIELD, IL ROCHESTER, MN

**SOUTH ABUTMENT
US ROUTE 45/52 OVER MINNIE CREEK
F.A.P. 840 SEC. 139 BR-1
KANKAKEE COUNTY
STATION 196+30.00
STRUCTURE NO. 046-0070**