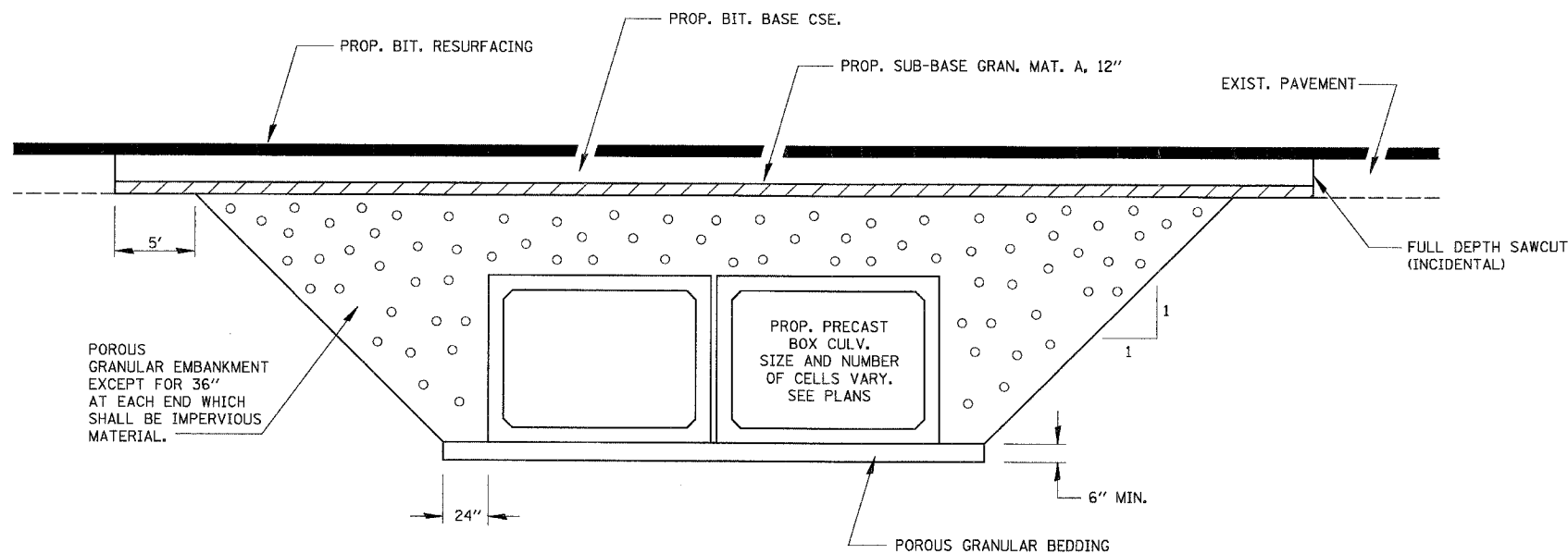
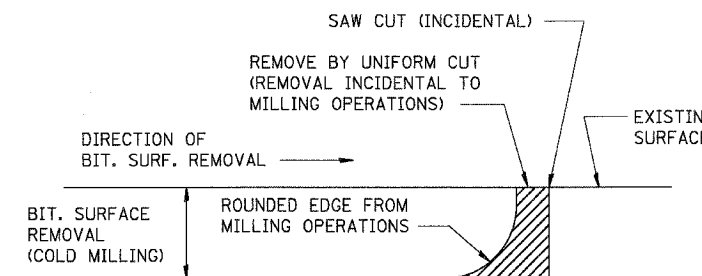


F.A. RTE.	SECTION	COUNTY	TOTAL SHEETS	SHEET NO.
840	139-BR2	KANKAKEE	89	59
STA.	TO STA.			
FED. ROAD DIST. NO.	ILLINOIS FED. AID PROJECT			

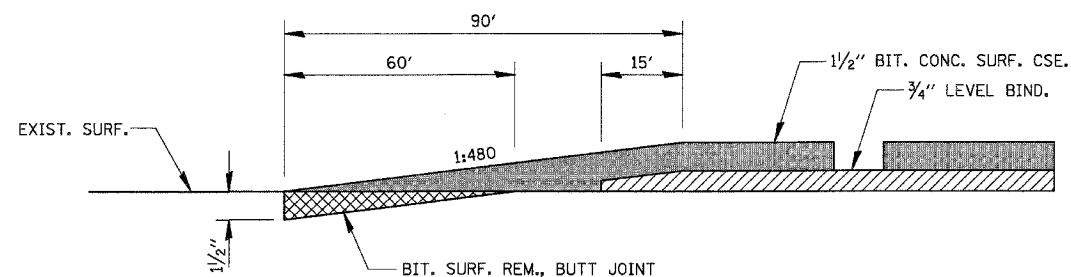


SECTION THROUGH PRECAST BOX CULVERT

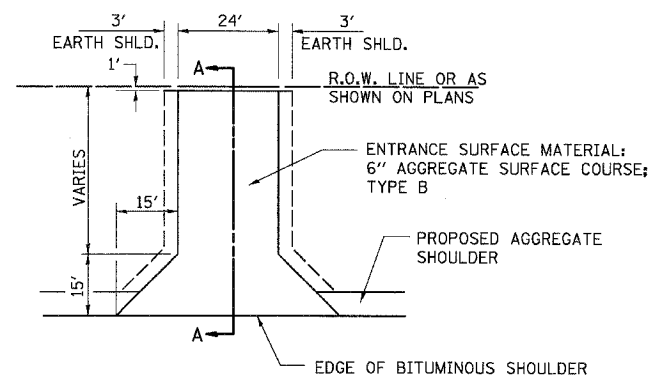


NOTE: WHEN MILLING OPERATIONS PRODUCE A ROUNDED EDGE, THEN A SAW CUT SHALL BE USED TO MANUFACTURE A PERPENDICULAR EDGE AS SHOWN IN THE DETAIL. THE ENGINEER SHALL BE THE SOLE JUDGE CONCERNING THE USE OF THIS DETAIL.

BITUMINOUS DETAIL AT BUTT JOINTS

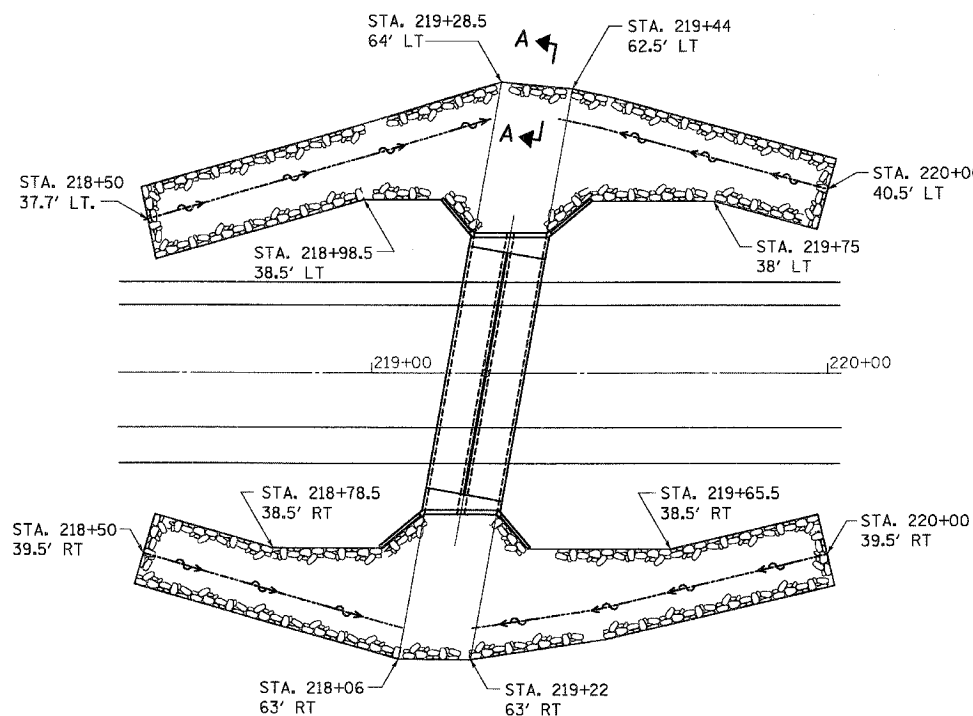


BUTT JOINT DETAIL

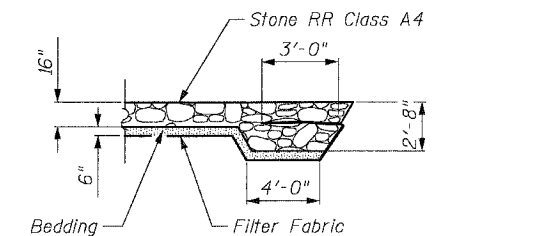


SECTION A-A

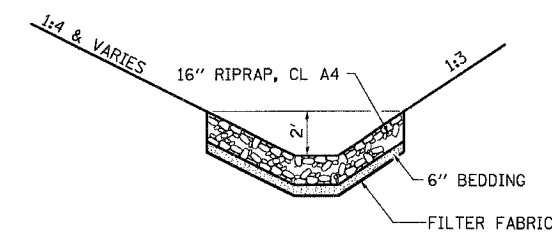
FIELD ENTRANCE DETAIL



RIPRAP LAYOUT



SECTION A-A FLANK DETAIL



RIPRAP LINED DITCH DETAIL

REVISIONS	
NAME	DATE

ILLINOIS DEPARTMENT OF TRANSPORTATION  
FAP ROUTE 840 (US 45/52)  
SEC 139 BR-2, KANKAKEE COUNTY

MISCELLANEOUS DETAILS

SCALE: VERT. HORIZ.  
DATE DRAWN BY CHECKED BY

PLOT DATE = 3/29/2006  
FILE NAME = I:\STR\proj\0308-29\Plan\Kankakee\IB-Dist-Det.dgn  
PLOT SCALE = 850/11  
REFERENCE = #REF#