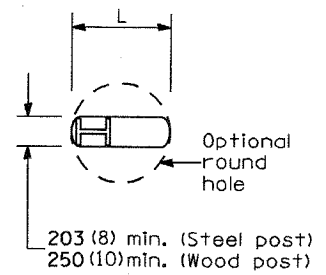
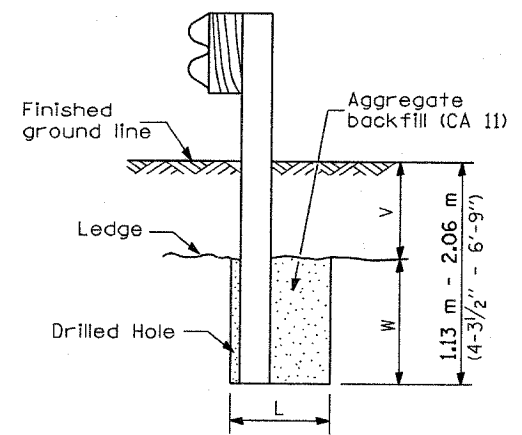


666A7

|                     |         |                           |              |           |
|---------------------|---------|---------------------------|--------------|-----------|
| F.A. RTE.           | SECTION | COUNTY                    | TOTAL SHEETS | SHEET NO. |
|                     |         |                           |              | 12.D      |
| FED. ROAD DIST. NO. |         | ILLINOIS FED. AID PROJECT |              |           |



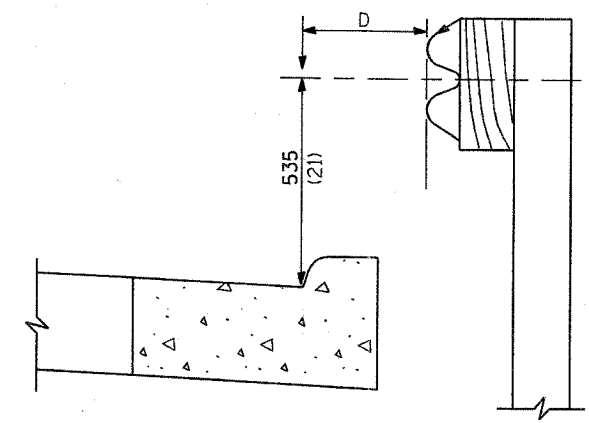
**PLAN**



Note:  
Ledge line is top of rock ledge or hard slag fill.

**ELEVATION**

**FOOTING FOR POST WHEN IMPERVIOUS MATERIAL IS ENCOUNTERED**

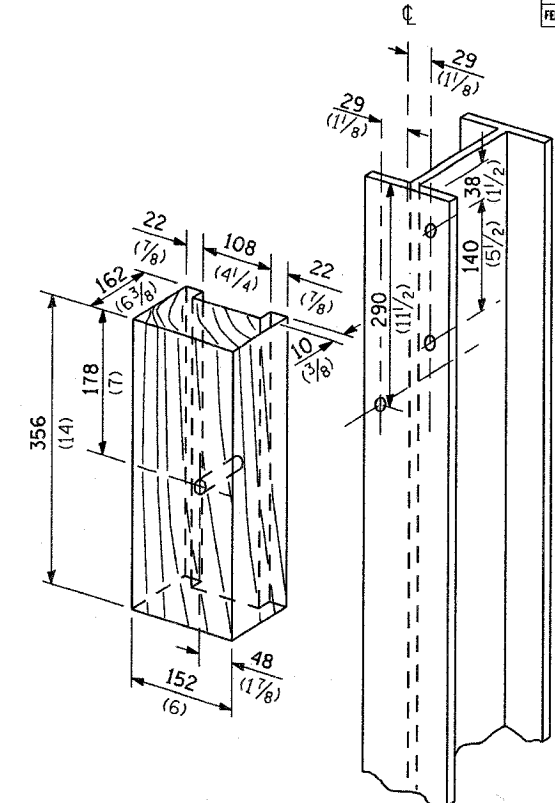


Note:  
If it is necessary for D to be more than 300 (12) and less than 3.0 m (10'-0") type M-5 (M-2) curb and gutter (Std. 606001) shall be used in front of and in advance of the guardrail.

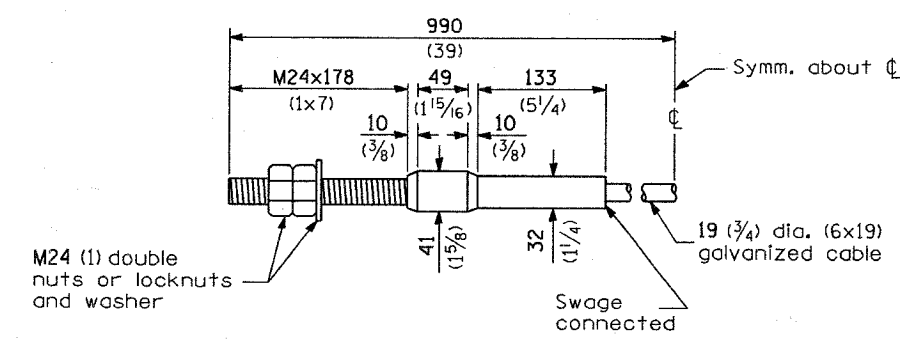
**GUARDRAIL PLACED BEHIND CURB**

(D = 0 desirable to 300 (12) maximum)

| V                               | W                   | L           |             |
|---------------------------------|---------------------|-------------|-------------|
|                                 |                     | Steel Post  | Wood Post   |
| 0 - 460<br>(0 - 18)             | 610<br>(24)         | 530<br>(21) | 580<br>(23) |
| >460 - 825<br>(>18 - 41.5)      | 305<br>(12)         | 203<br>(8)  | 250<br>(10) |
| >825 - 1.13 m<br>(>41.5 - 53.5) | 305 - 0<br>(12 - 0) | 203<br>(8)  | 250<br>(10) |



**WOOD BLOCK-OUT AND STEEL POST DETAILS**



**CABLE ASSEMBLY**

(18,100 kg (40,000 lbs.) min. breaking strength)  
Tighten to taut tension.

**REMOVE AND REERECT STEEL PLATE BEAM GUARDRAIL**

(Sheet 4 of 4)

**DETAIL**

NEW 11/4/07