

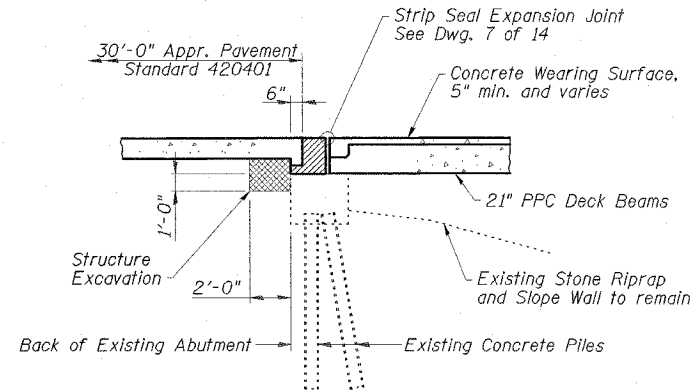
STATE OF ILLINOIS
DEPARTMENT OF TRANSPORTATION

ROUTE NO.	SECTION	QUANTITY	UNITS	PRICE	SHEET NO. 2 14 SHEETS
FAP 840	*	IROQUOIS	39	14	
FED. ROAD DIST. NO.		ILLINOIS	FED. AID PROJECT	123-BR-1	
66647					

GENERAL NOTES

- Reinforcement bars shall conform to the requirements of AASHTO M31 or M322 Grade 60.
- Plan dimensions and details relative to existing structure have been taken from existing plans and are subject to nominal construction variations. It shall be the Contractor's responsibility to verify such dimensions and details in the field and make necessary approved adjustments prior to construction or ordering of materials. Such variations shall not be cause for additional compensation for a change in the scope of the work, however, the Contractor will be paid for the quantity actually furnished at the unit price for the work.
- All construction joints shall be bonded.
- Concrete Sealer shall be applied to abutment bearing seats where formed concrete repairs are performed.
- All new structural steel shall be shop painted with an inorganic zinc rich primer per AASHTO M300 Type 1 unless noted otherwise.
- Side retainers shall be AASHTO M270 Grade 36 minimum.
- No work will be allowed in the stream.
- The Contractor is advised that the existing PPC Deck Beams are in a deteriorated condition with reduced load carrying capacity. It is the Contractor's responsibility to account for the condition of the beams when developing construction procedures for removal and replacement of the superstructure.
- If the Contractor's procedure for existing beam removal or placement of new beams involves placement of cranes or other heavy equipment on new beams, a detailed procedure shall be submitted to the Engineer for approval. The procedure shall include calculations, prepared and sealed by an Illinois Licensed Structural Engineer, verifying that the equipment and procedure used will not overstress the new beams. To distribute load to multiple beams and protect the concrete, in all cases a double layer mat of heavy timbers shall be used at all times under the crane tracks or wheels and any outriggers in the down position. If necessary, shims shall be used under the crane mat to ensure uniform contact with the underlying beams. Prior to placement of the timber mats the following shall be done: placement and tightening of transverse tie assemblies, grouting and curing the dowel rods 24 hours minimum and grouting and curing the shear keys. A temporary means of lateral restraint will be required for fascia beams at expansion ends of beams to prevent movement of the beams. This work shall be considered included in the cost of Precast Prestressed Concrete Deck Beams.

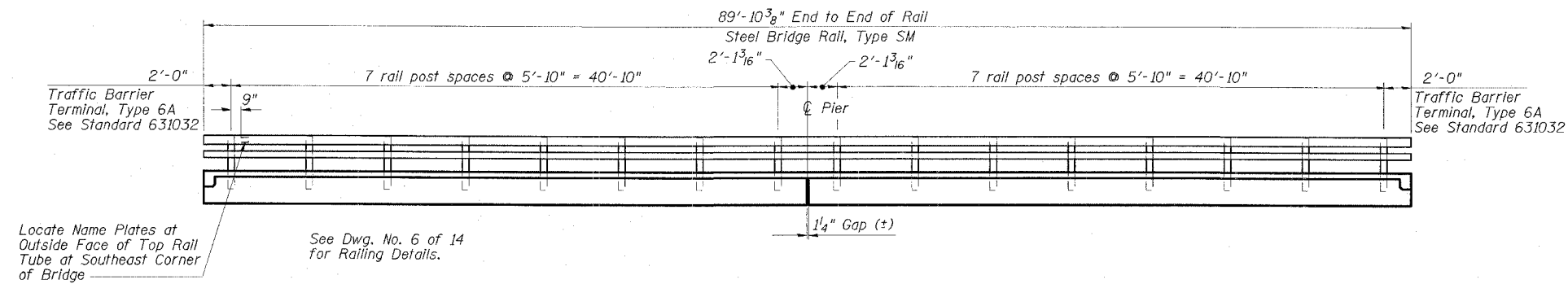
- Existing reinforcement bars extending into the removal area shall be cleaned, straightened, and incorporated into the new construction. Any reinforcement bars that are damaged during concrete removal shall be replaced with an approved bar splicer or anchorage system. Cost included with Concrete Removal.
- The cut strands at each beam end shall be given two coats of zinc dust spray or paint meeting the requirements of ASTM A780. The zinc dust spray or paint shall be applied before corrosion appears and allowed to dry according to the manufacturer's specifications prior to another coat of zinc. A concrete sealer meeting the requirements of Section 587 of the Standard Specifications shall be applied to the exterior face and 9" in on the underside of the fascia beams. The sealer shall be applied after visible crack growth has subsided. This work shall be performed by the producer and included with the cost of the beam.
- The minimum thickness of the concrete overlay shall be 5" and varies as required to adjust for the new profile grade and beam camber.
- Repair of the substructure shall be completed prior to placement of the new deck beams.



SECTION THRU ABUTMENTS
(© Rt. Angles)

TOTAL BILL OF MATERIAL

ITEM	UNIT	SUPER	SUB	TOTAL
Removal of Existing Superstructures	Each	1		1
Concrete Removal	Cu. Yd.		5.4	5.4
Structure Excavation	Cu. Yd.		12	12
Concrete Structures	Cu. Yd.		7.6	7.6
Bridge Deck Grooving	Sq. Yd.	310		310
Concrete Wearing Surface, 5"	Sq. Yd.	330		330
Concrete Sealer	Sq. Ft.		30	30
Structural Repair of Concrete (Depth Equal to or Less Than 5")	Sq. Ft.		57	57
Precast Prestressed Concrete Deck Beams (21" Depth)	Sq. Ft.	2962		2962
Reinforcement Bars, Epoxy Coated	Pound	4060	1300	5360
Steel Bridge Rail, Type SM	Foot	180		180
Name Plates	Each	1		1
Epoxy Crack Injection	Foot		76	76
Asbestos Bearing Pad Removal	Each		44	44
Bar Splicers	Each		66	66
Protective Coat	Sq. Yd.	330		330
Preformed Joint Strip Seal	Foot	82		82



RAIL ELEVATION

(Showing Inside Face of West Railing;
East Railing Similar)

GENERAL DATA
IL 49 OVER PIGEON CREEK
FAP ROUTE 840 - SECTION 123-BR-1
IROQUOIS COUNTY
STATION 135+74.00
STRUCTURE NO. 038-0174

ESCA
CONSULTANTS, INC.

DESIGNED BY:	FMA	04/06
DRAWN BY:	HAG/cj	04/06
CHECKED BY:	ELH/MTD	10/06
APPROVED BY:	RDP	10/06