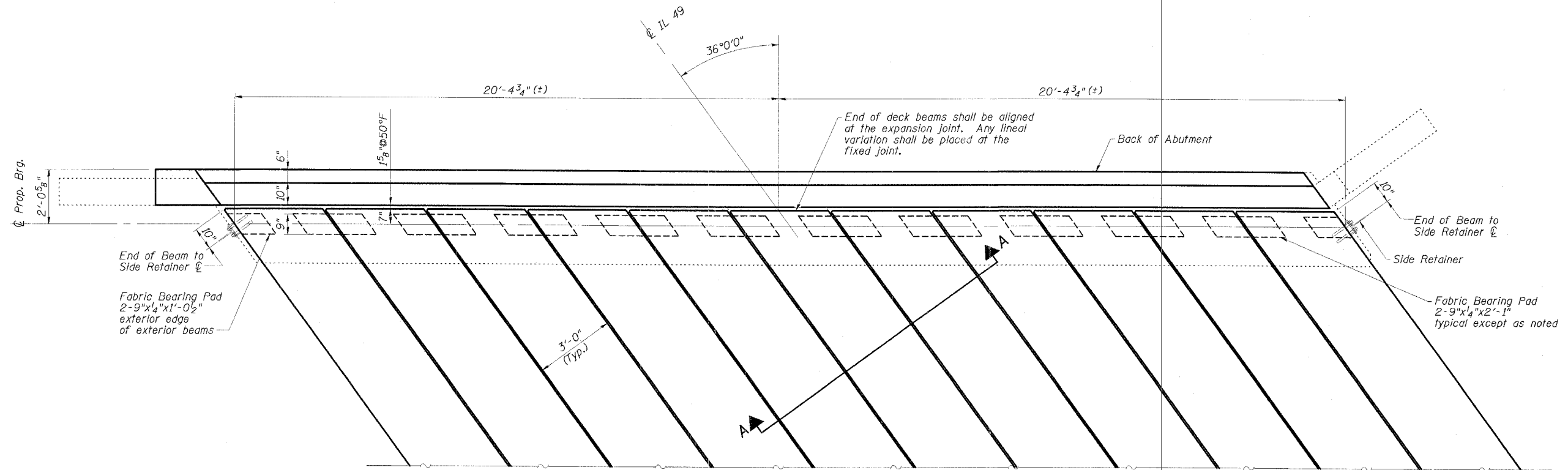


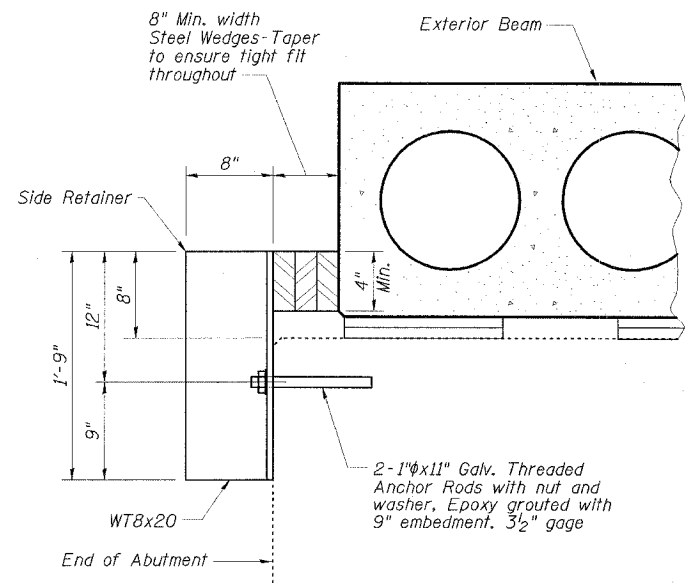
STATE OF ILLINOIS  
DEPARTMENT OF TRANSPORTATION

ROUTE NO.	SECTION	COUNTY	SHEETS	SHEET NO.
FAP 840	*	IROQUOIS	39	23
14 SHEETS				
FED. AID DIST. NO.	ILLINOIS	FED. AID PROJECT		
66647		123-BR-1		



**ABUTMENT BEARING SEAT PLAN**

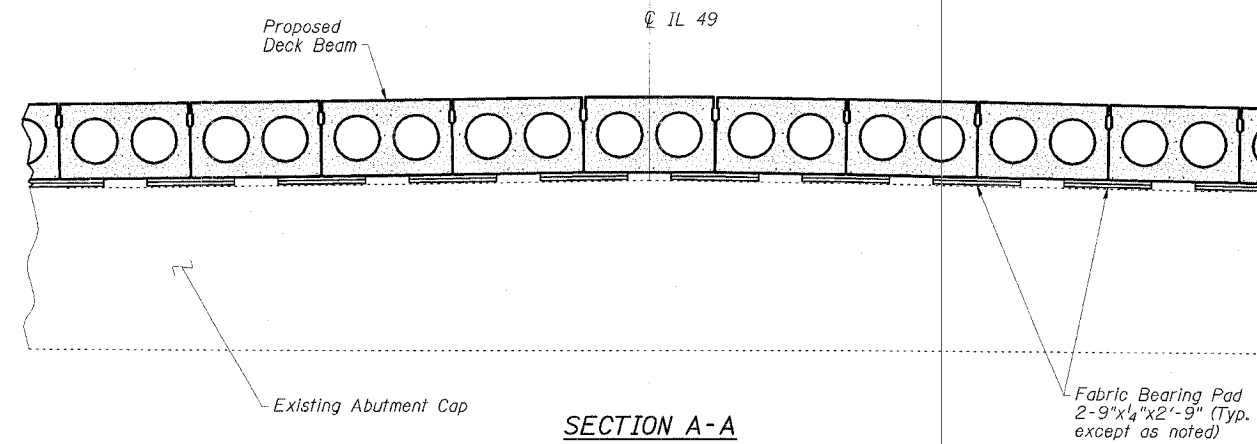
(Concrete wearing surface, expansion joint and approach pavement not shown)



**EXTERIOR BEAM SIDE RETAINER DETAILS**

(4 Required)

Cost of Retainer & accessories are included with Precast Prestressed Concrete Deck Beams.



**SECTION A-A**

(Concrete wearing surface not shown)

**ABUTMENT DETAILS**  
**IL 49 OVER PIGEON CREEK**  
**FAP ROUTE 840 - SECTION 123-BR-1**  
**IROQUOIS COUNTY**  
**STATION 135+74.00**  
**STRUCTURE NO. 038-0174**

**ESCA**  
CONSULTANTS, INC.

DESIGNED BY:	FMA	04/06
DRAWN BY:	cj	04/06
CHECKED BY:	ELH/MTD	09/06
APPROVED BY:	RDP	09/06