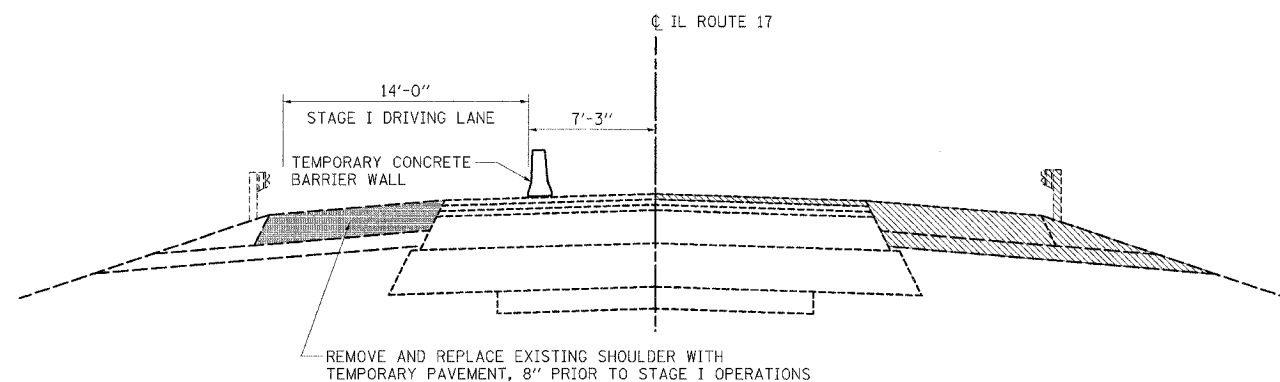


F.A.P. RTE.	SECTION	COUNTY	TOTAL SHEETS	SHEET NO.
41	15 BR	LIVINGSTON	38	7
FED. ROAD DIST. NO. 7 ILLINOIS FED. AID PROJECT				

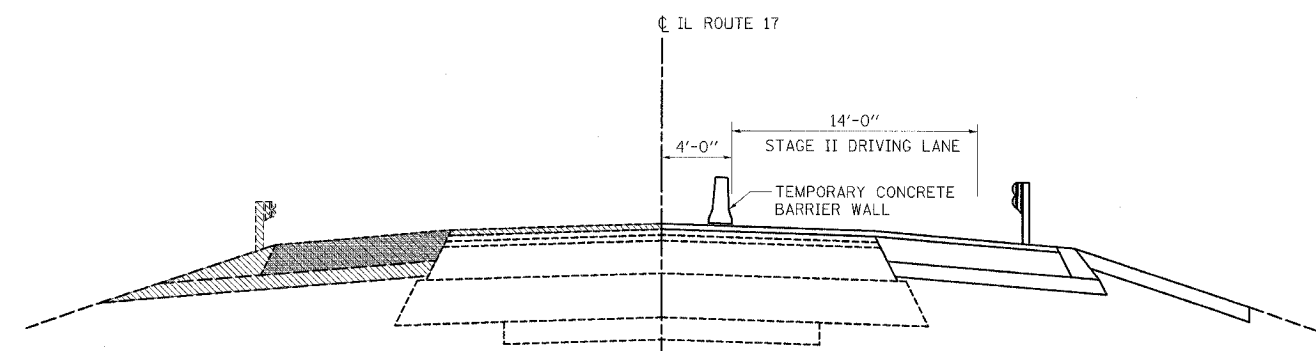
CONTRACT NO. 66665



REMOVE AND REPLACE EXISTING SHOULDER WITH TEMPORARY PAVEMENT, 8" PRIOR TO STAGE I OPERATIONS

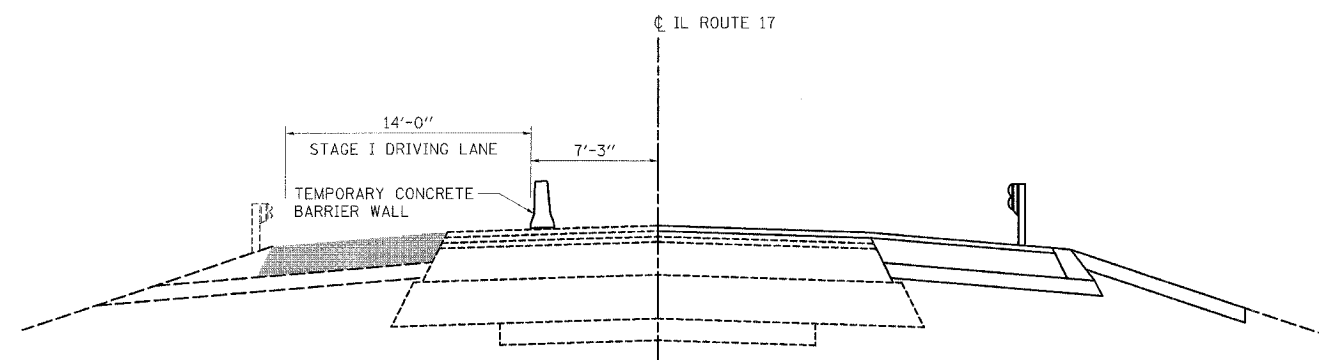
STAGE I REMOVAL

STA. 181 + 50.00 TO STA. 188 + 50.00



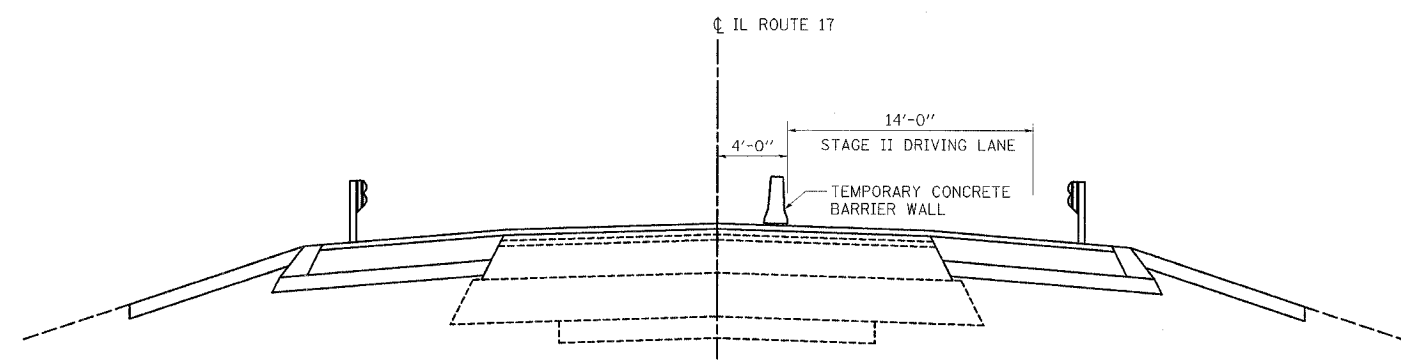
STAGE II REMOVAL

STA. 181 + 50.00 TO STA. 188 + 50.00



STAGE I CONSTRUCTION

STA. 181 + 50.00 TO STA. 188 + 50.00



STAGE II CONSTRUCTION

STA. 181 + 50.00 TO STA. 188 + 50.00

STAGE I CONSTRUCTION

1. INSTALL TRAFFIC CONTROL PER STANDARD 701326
2. REMOVE AND REPLACE WESTBOUND SHOULDER WITH TEMPORARY PAVEMENT
3. INSTALL TRAFFIC CONTROL PER STANDARD 701321 AND AS DETAILED IN THESE PLANS
4. REMOVE EXISTING EASTBOUND SHOULDER
5. REMOVE EXISTING EASTBOUND PAVEMENT
6. REMOVE EASTBOUND PORTION OF EXISTING STRUCTURE
7. CONSTRUCT EASTBOUND PORTION OF STRUCTURE
8. CONSTRUCT EASTBOUND SHOULDER
9. PLACE HOT-MIX ASPHALT CONCRETE SURFACE COURSE
10. INSTALL GUARDRAIL

STAGE II CONSTRUCTION

1. RELOCATE TRAFFIC CONTROL PER STANDARD 701321 AND AS DETAILED IN THESE PLANS
2. REMOVE TEMPORARY PAVEMENT AND EXISTING WESTBOUND SHOULDER
3. REMOVE EXISTING WESTBOUND PAVEMENT
4. REMOVE WESTBOUND PORTION OF EXISTING STRUCTURE
5. CONSTRUCT WESTBOUND PORTION OF STRUCTURE
6. CONSTRUCT WESTBOUND SHOULDER
7. PLACE HOT-MIX ASPHALT CONCRETE SURFACE COURSE
8. INSTALL GUARDRAIL

STAGE III CONSTRUCTION

1. TRAFFIC CONTROL PER STANDARD 701201
2. PLACE PERMANENT PAVEMENT MARKINGS ON EASTBOUND AND WESTBOUND LANES
3. LANDSCAPE RESTORATION

<p>Excellence through Ownership</p> <p>200 West Front Street Wheaton, IL 60187</p>	REVISIONS NAME DATE		ILLINOIS DEPARTMENT OF TRANSPORTATION F.A.P. ROUTE 41 (IL 17) TRAFFIC CONTROL CONSTRUCTION STAGING NOTES & DETAILS																			
	<table border="1"> <tr><td> </td><td> </td></tr> <tr><td> </td><td> </td></tr> <tr><td> </td><td> </td></tr> <tr><td> </td><td> </td></tr> <tr><td> </td><td> </td></tr> <tr><td> </td><td> </td></tr> <tr><td> </td><td> </td></tr> <tr><td> </td><td> </td></tr> <tr><td> </td><td> </td></tr> <tr><td> </td><td> </td></tr> </table>																					

10/19/2006 4:41:38 PM k:\1205601\cadd\design\2066601\stagingnotes.dgn