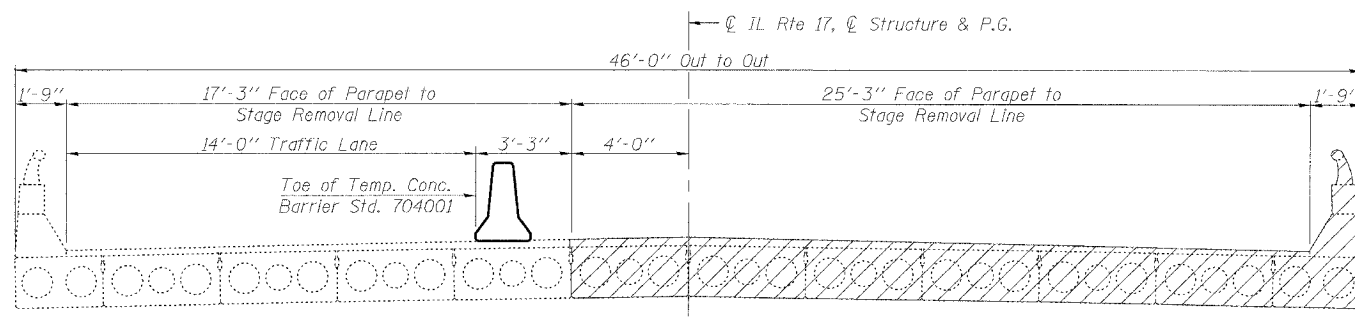
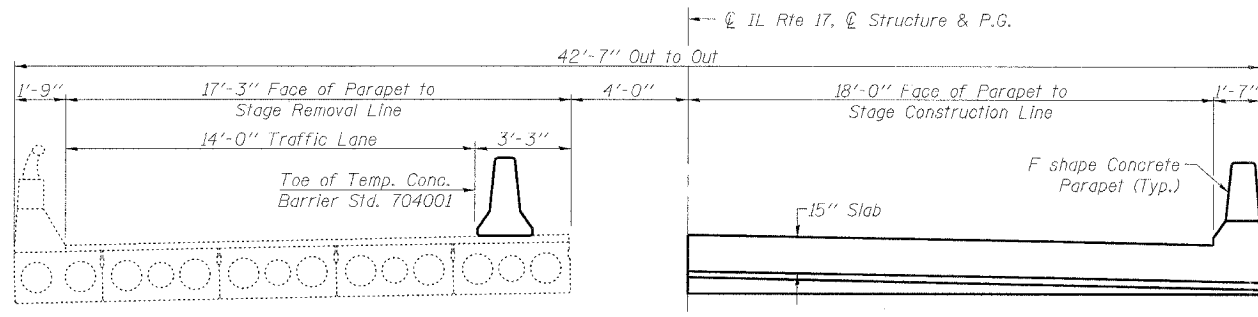


ROUTE NO.	SECTION	COUNTY	TOTAL SHEETS	SHEET NO.	SHEET NO. 3
F.A.P. 41	15BR	LIVINGSTON	38	14	15 SHEETS
FED. RD. DIST. NO. 7	ILLINOIS	FED. AID PROJECT			

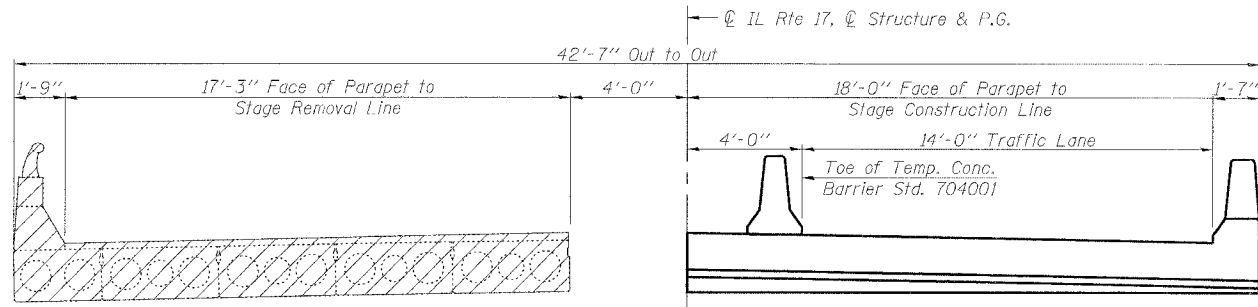
Contract #66665



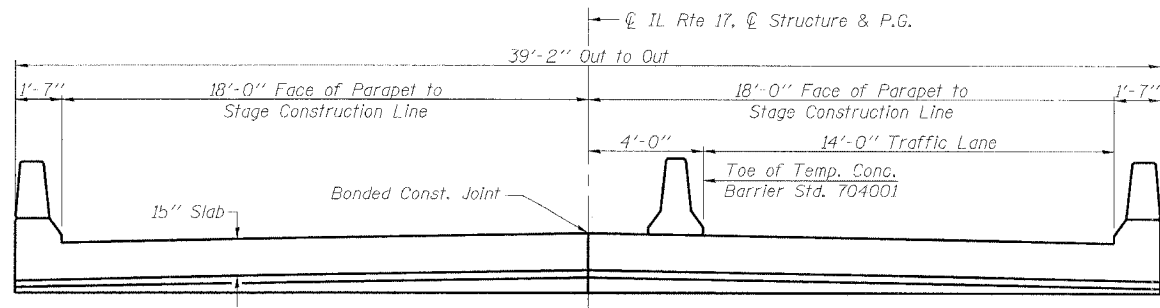
**CROSS SECTION - STAGE I REMOVAL**  
(Looking East)



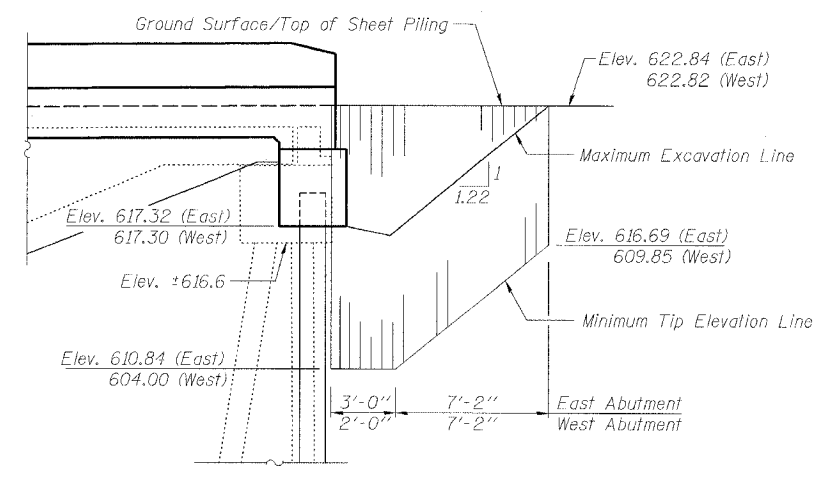
**CROSS SECTION - STAGE I CONSTRUCTION**  
(Looking East)



**CROSS SECTION - STAGE II REMOVAL**  
(Looking East)



**CROSS SECTION - STAGE II CONSTRUCTION**  
(Looking East)



**TEMPORARY SHEET PILING**  
The sheeting information shown is estimated.  
Slopes and distances shown parallel to roadway centerline.

**SEQUENCE OF STAGE REMOVAL AND CONSTRUCTION OF TEMPORARY SHEET PILING:**

1. Install Temporary Sheet Piling for Stage I Construction.
2. Remove Stage I Superstructure.
3. Sawcut abutments and pier at Stage Removal Line.
4. Remove Stage I portions of abutments.
5. Proceed with Stage I Construction.
6. Adjust Temporary Sheet Piling for Stage II Construction.
7. Remove Stage II Superstructure.
8. Remove Stage II portions of abutments and pier.
9. Proceed with Stage II Construction.
10. Remove Temporary Sheet Piling when Stage II Construction is complete.

**NOTES:**

See Sheet 11 of 15 for Temporary Concrete Barrier Details. Removal of bituminous wearing surface and existing bridge rail is included with "Removal of Existing Structures". Pay Item for "Temporary Concrete Barrier" is included with Roadway Plans. Required Section Modulus for Temporary Sheet Piling must be greater than or equal to 3.0 in<sup>3</sup>/ft. If the Contractor chooses to alter the temporary cantilevered sheet piling design requirements shown on the plans for lesser design requirements, then full design submittals with the required seals will be expected by the Department, for review and approval. Hard driving may be encountered during the sheet piling installation. The Contractor shall provide the appropriate driving equipment for the soil conditions indicated on the boring logs.

**BILL OF MATERIAL**

Item	Unit	Total
Temporary Sheet Piling	Sq. Ft.	252
Removal of Existing Structures	Each	1

**LEGEND:**

Removal of Existing Structures

**rjngroup**  
Excellence through Ownership  
200 West Front Street  
Wheaton, IL 60187

ILLINOIS DEPARTMENT OF TRANSPORTATION  
CONSTRUCTION STAGING  
IL 17 OVER UNNAMED DRAINAGE DITCH  
FAP RTE 41 - SECTION 15BR  
LIVINGSTON COUNTY  
STATION 185+05  
STRUCTURE NO. 053-0182  
DATE: 10/20/2006  
DRAWN BY JMT  
CHECKED BY BLB

18/19/2006 K:\1126666\Structures\Final Plans\Final Plans.dgn