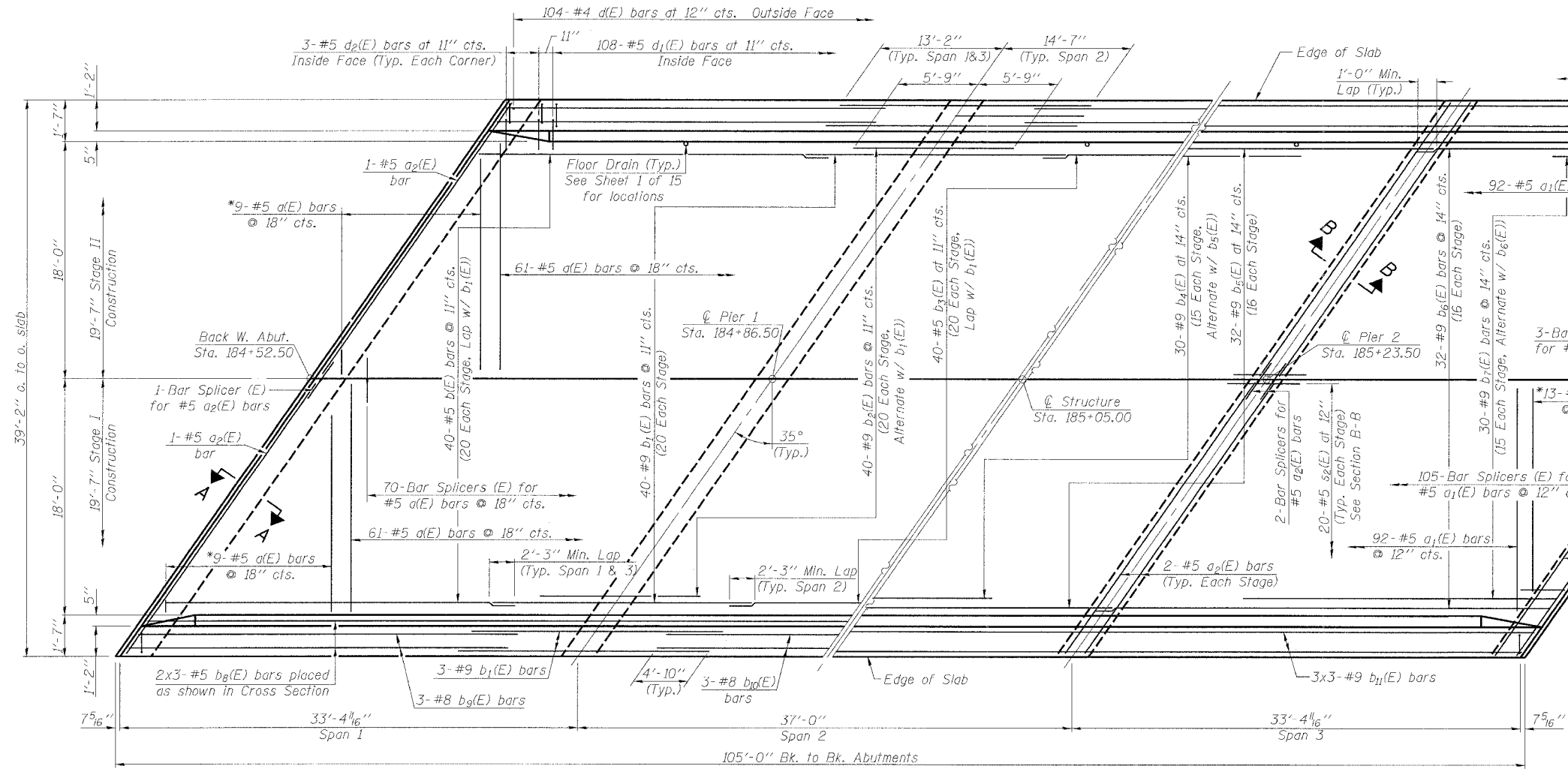


Contract #66665



SHOWING TOP REINFORCEMENT

SLAB PLAN

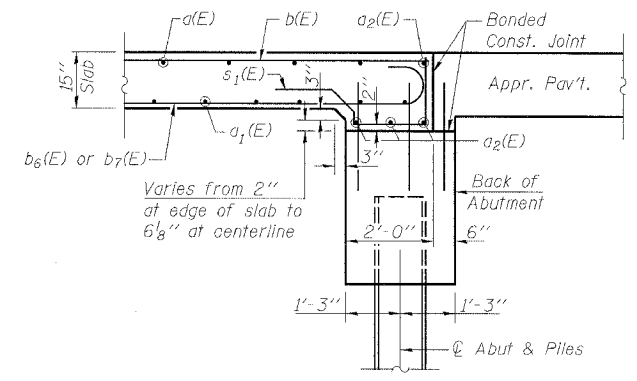
Parapet omitted for clarity
Symmetric about \bar{C}

SHOWING BOTTOM REINFORCEMENT

NOTES

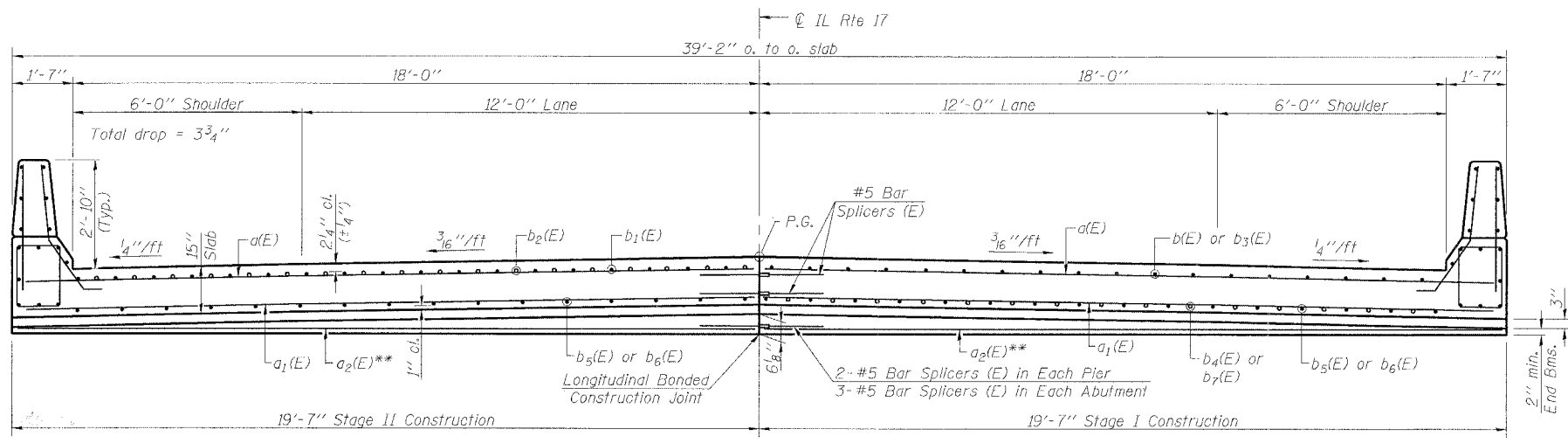
Minimum lap length for #5 bars = 2'-3", and #9 bars = 4'-5", unless noted otherwise. See Sheet 7 of 15 for Superstructure Details, Parapet Details, Section B-B, and Bill of Material. Reinforcement bars designated (E) shall be epoxy coated. Bars indicated thus 3x4-#8 etc. indicates 3 lines of bars with 4 lengths per line. Tilt hook of $b_6(E)$ and $b_7(E)$ bars if necessary for 2' clearance.

*Order $a(E)$ & $a_1(E)$ bars full length. Cut to fit skew and use remainder of bars in opposite end.



SECTION A-A THRU ABUTMENT

(Dimensions @ Rt. angles)



SLAB CROSS SECTION
(Looking East)

**Over Piers and Abutments. See Section A-A (this sheet) and Section B-B (Sheet 7 of 15).

rjngroup
Excellence through Ownership
200 West Front Street
Wheaton, IL 60187

ILLINOIS DEPARTMENT OF TRANSPORTATION
SUPERSTRUCTURE
IL 17 OVER UNNAMED DRAINAGE DITCH
FAP RTE 41 - SECTION 15BR
LIVINGSTON COUNTY
STATION 185+05
STRUCTURE NO. 053-0182
DATE: 10/20/2006
DRAWN BY JMT
CHECKED BY BLB

10/19/2005 K:\128666\Structure\Plan\Drawings