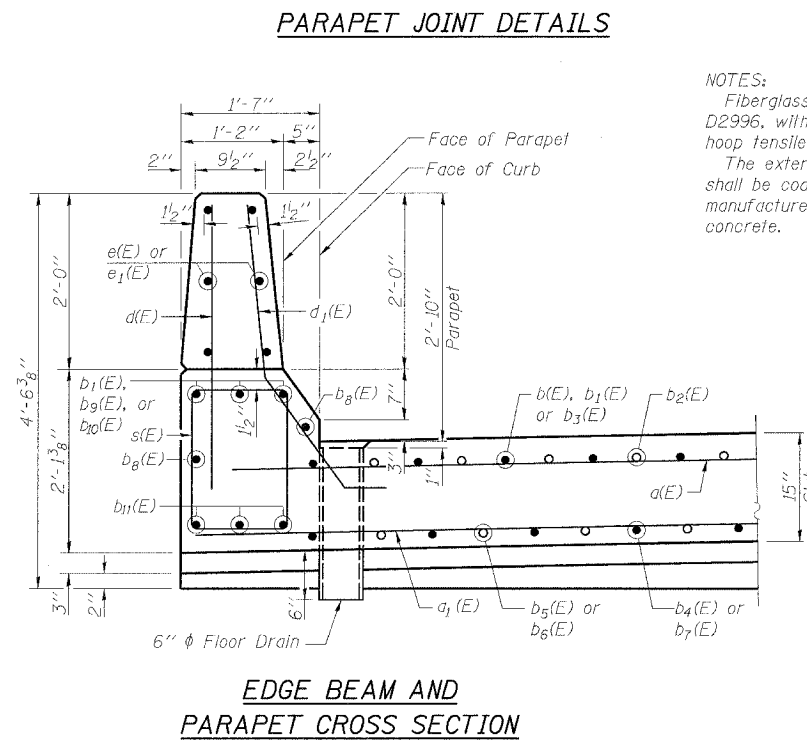
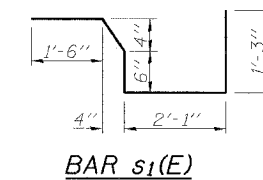
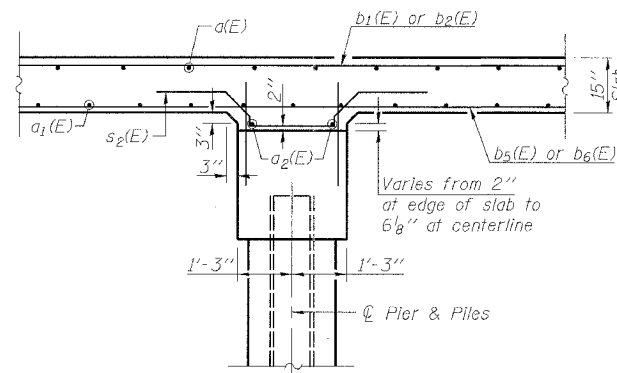
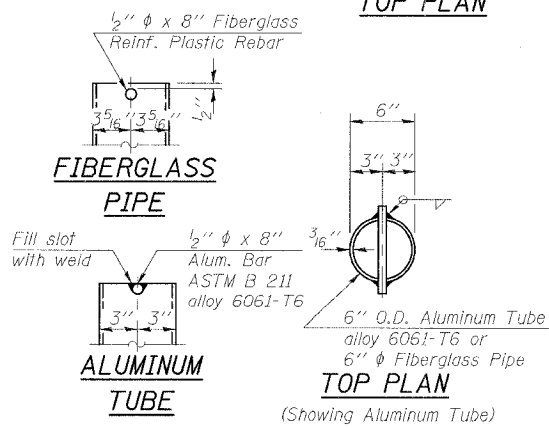
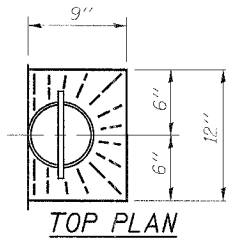


**SUPERSTRUCTURE
BILL OF MATERIAL**

Bar	No.	Size	Length	Shape
a(E)	140	#5	19'-3"	—
a1(E)	210	#5	19'-3"	—
a2(E)	24	#5	23'-7"	—
b(E)	80	#5	22'-5"	—
b1(E)	92	#9	27'-9"	—
b2(E)	80	#9	11'-6"	—
b3(E)	40	#5	12'-4"	—
b4(E)	30	#9	20'-7"	—
b5(E)	32	#9	38'-0"	—
b6(E)	64	#9	35'-1"	—
b7(E)	60	#9	27'-7"	—
b8(E)	12	#5	36'-1"	—
b9(E)	12	#8	28'-8"	—
b9(E)	6	#8	25'-2"	—
b11(E)	18	#9	37'-6"	—
d(E)	208	#4	3'-0"	—
d1(E)	216	#5	3'-11"	L
d2(E)	12	#5	4'-2"	L
e(E)	48	#4	18'-2"	—
e1(E)	24	#4	15'-7"	—
s(E)	196	#4	6'-5"	□
s1(E)	80	#5	5'-10"	—
s2(E)	80	#5	7'-6"	—
s7(E)	12	#4	6'-1"	□
Reinforcement Bars, Epoxy Coated	Pound		49,560	
Concrete Superstructure	Cu. Yds.		223.4	
Bar Splicers	Each		187	
Floor Drains	Each		8	

Reinforcement bars designated (E) shall be epoxy coated.

NOTES:
Fiberglass pipe shall conform to ASTM D2996, with short-time rupture strength hoop tensile stress of 30,000 p.s.i. minimum. The exterior surfaces of the floor drains shall be coated or pigmented by the manufacturer with a color that matches the concrete.



<p>Excellence through Ownership</p> <p>200 West Front Street Wheaton, IL 60187</p>	ILLINOIS DEPARTMENT OF TRANSPORTATION	
	SUPERSTRUCTURE DETAILS IL 17 OVER UNNAMED DRAINAGE DITCH FAP RTE 41 - SECTION 15BR LIVINGSTON COUNTY STATION 185+05 STRUCTURE NO. 053-0182	
	DATE: 10/20/2006	DRAWN BY JMT CHECKED BY BLB