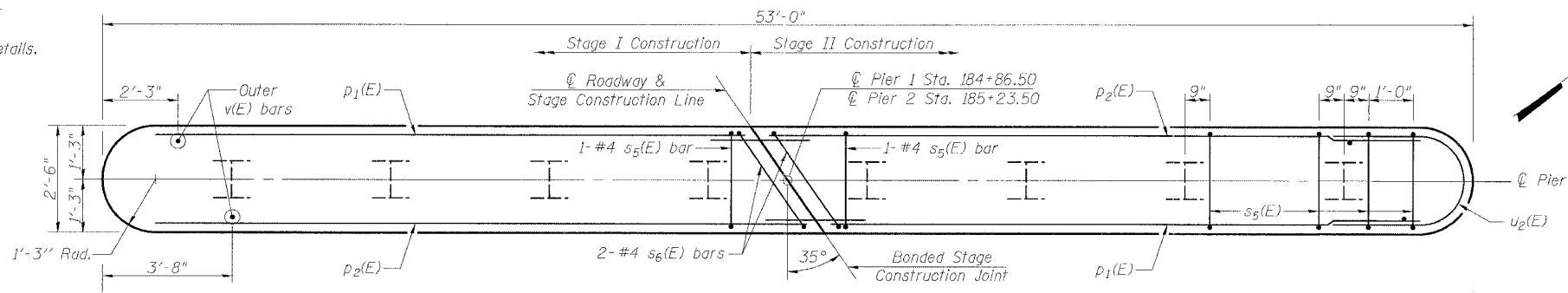


Notes: All edges shall have standard $\frac{3}{4}$ " chamfers.
See Special Provisions for "Underwater Structure Excavation Protection".
See Sheet 10 of 15 for Bar Splicer Details.
See Sheet 4 of 15 for Piling Layout.

ROUTE NO.	SECTION	COUNTY	TOTAL SHEETS	SHEET NO.	SHEET NO. 9
F.A.P. 41	15BR	LIVINGSTON	38	20	15 SHEETS
FED. ROAD DIST. NO. 7	ILLINOIS	FED. AID PROJECT			

Contract #66665

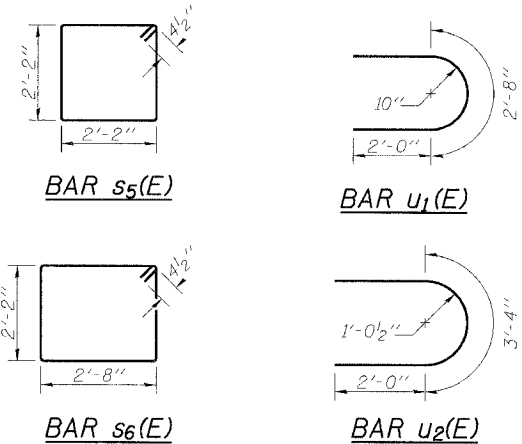
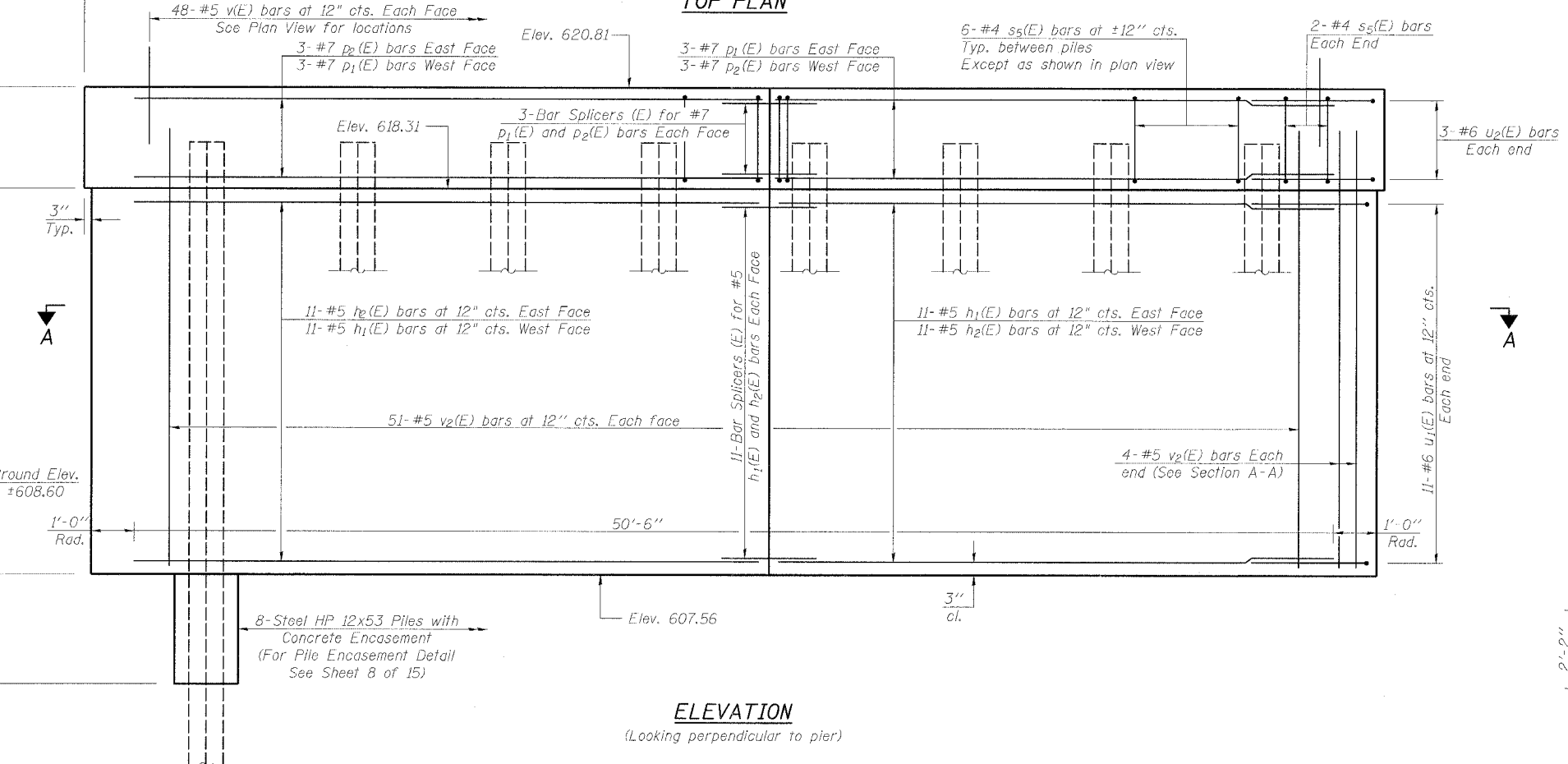
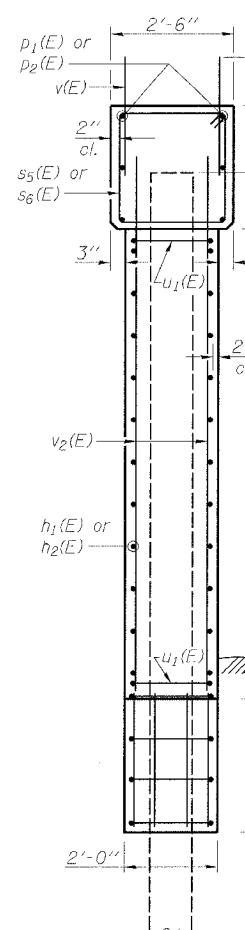


BILL OF MATERIAL
2 Piers

Bar	No.	Size	Length	Shape
h ₁ (E)	44	#5	24'-5"	—
h ₂ (E)	44	#5	25'-10"	—
p ₁ (E)	12	#7	24'-3"	—
p ₂ (E)	12	#7	26'-0"	—
s ₅ (E)	84	#4	9'-5"	□
s ₆ (E)	4	#4	10'-5"	□
u ₁ (E)	44	#6	6'-8"	U
u ₂ (E)	12	#6	7'-4"	U
v(E)	192	#5	3'-3"	—
v ₂ (E)	220	#5	11'-9"	—

Concrete Structures	Cu. Yd.	107.0
Furnishing Steel Piles HP 12x53	Foot	1022
Driving Piles	Foot	1022
Test Pile Steel HP 12x53	Each	1
Reinforcement Bars, Epoxy Coated	Pound	8020
Structure Excavation	Cu. Yd.	25*
Underwater Structure Excavation Protection, Location 1	Each	1
Underwater Structure Excavation Protection, Location 2	Each	1
Bar Splicers	Each	56
Concrete Encasement	Cu. Yd.	5.6

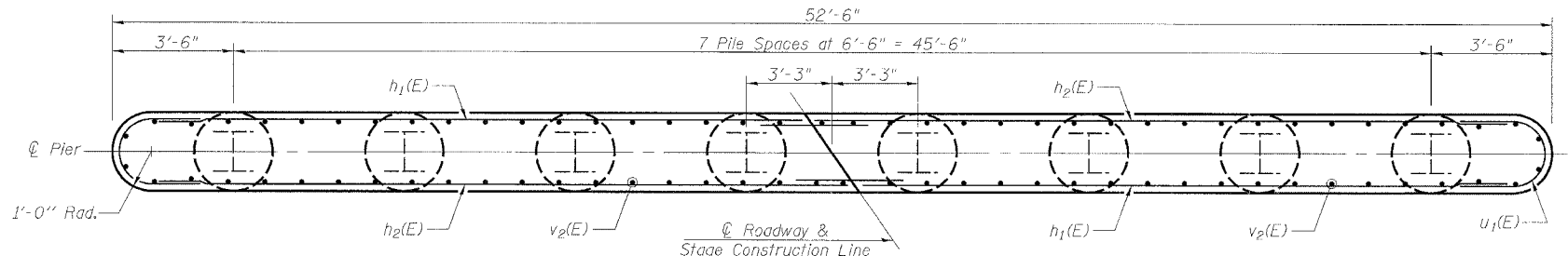
Reinforcement Bars designated (E) shall be epoxy coated.
*12.5 Cu. Yd. of Structure Excavation at each Pier.



PILE DATA

Type & Size: Steel HP 12x53
Nominal Required Bearing: 300 kips
Allowable Resistance Available: 100 kips
Est. Length: 70' (Pier 1)
66' (Pier 2)
No. Req'd: 8 (Pier 1)
7 (Pier 2) plus 1 Test Pile

The Steel H-piles shall be according to AASHTO M270 Grade 50.
The test pile shall be driven to 110 percent of the Nominal Required Bearing Indicated in the pile data information.



rjngroup
Excellence through Ownership

200 West Front Street
Wheaton, IL 60187

ILLINOIS DEPARTMENT OF TRANSPORTATION

PIERS
IL 17 OVER UNNAMED DRAINAGE DITCH
FAP RTE 41 - SECTION 15BR
LIVINGSTON COUNTY
STATION 185+05
STRUCTURE NO. 053-0182

DATE: 10/20/2006
DRAWN BY: BLB
CHECKED BY: JMT

18/19/2006 K:\11285601\Structures\Final Plots\Final Plot.mxd