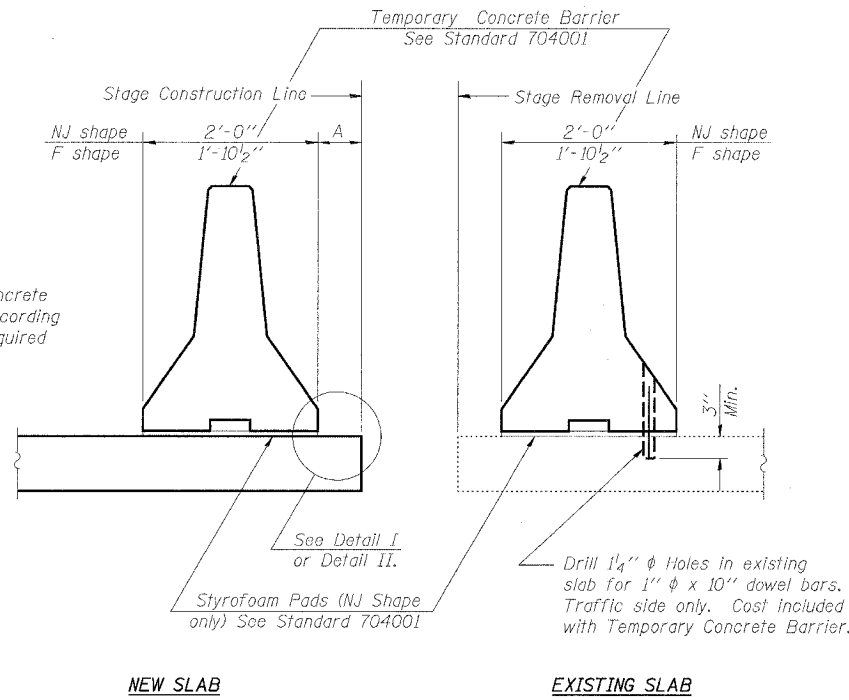


ROUTE NO.	SECTION	COUNTY	SHEETS	SHEET NO.	SHEET NO. 11
F.A.P. 41	15BR	LIVINGSTON	38	22	15 SHEETS
FED. ROAD DIST. NO. 7	BILLINGS	FED. AID PROJECT			

Contract #66665

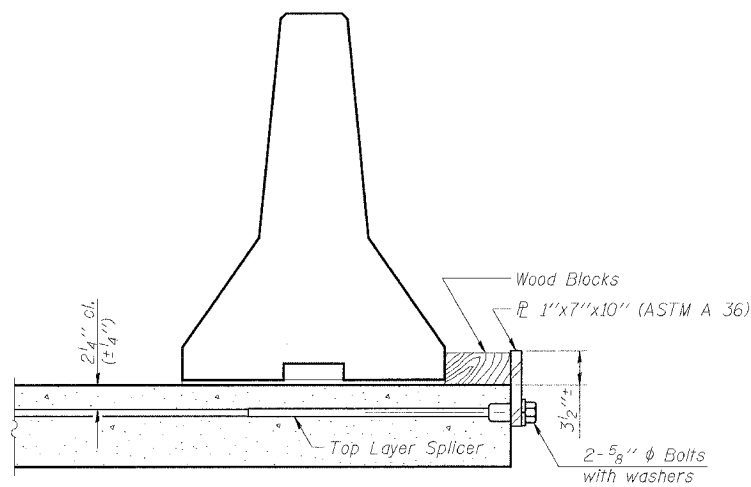


When "A" is 3'-6" or less, the temporary concrete barrier shall be anchored to the new slab according to Detail I or Detail II. No anchorage is required when "A" is greater than 3'-6".

NOTES

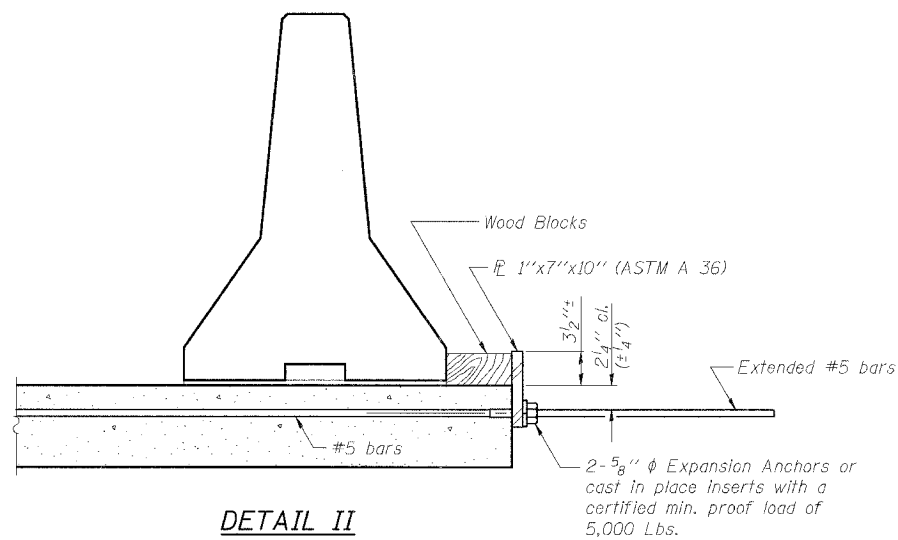
- Detail I - With Bar Splicer or Couplers:
Connect one (1) 1"x7"x10" steel PL to the top layer of couplers with 2-5/8" φ bolts screwed to coupler at approximate C of each barrier panel.
 - Detail II - With Extended Reinforcement Bars:
Connect one (1) 1"x7"x10" steel PL to the concrete slab with 2-5/8" φ Expansion Anchors or cast in place inserts spaced between the top layer of reinforcement at approximate C of each barrier panel.
- Cost of anchorage is included with Temporary Concrete Barrier.

SECTIONS THRU SLAB



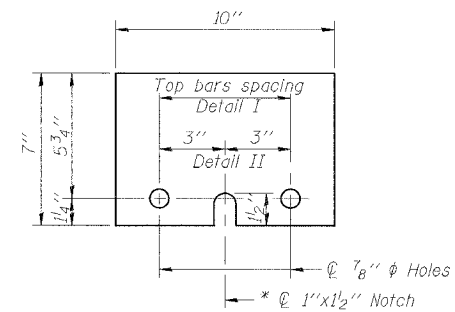
DETAIL I

The 1"x7"x10" Plate shall not be removed until Stage II Construction forms and reinforcement bars are in place.



DETAIL II

The 1"x7"x10" Plate shall not be removed until Stage II Construction forms and all reinforcement bars are in place and the concrete is ready to be placed.



1"x7"x10"

* Required only with Detail II

<p>Excellence through Ownership</p> <p>200 West Front Street Wheaton, IL 60187</p>	<p>ILLINOIS DEPARTMENT OF TRANSPORTATION</p> <p>TEMPORARY CONCRETE BARRIER FOR STAGE CONSTRUCTION</p> <p>IL 17 OVER UNNAMED DRAINAGE DITCH</p> <p>FAP RTE 41 - SECTION 15BR</p> <p>LIVINGSTON COUNTY</p> <p>STATION 185+05</p> <p>STRUCTURE NO. 053-0182</p>
	<p>DATE: 10/20/2006</p> <p>DRAWN BY JMT CHECKED BY BLB</p>