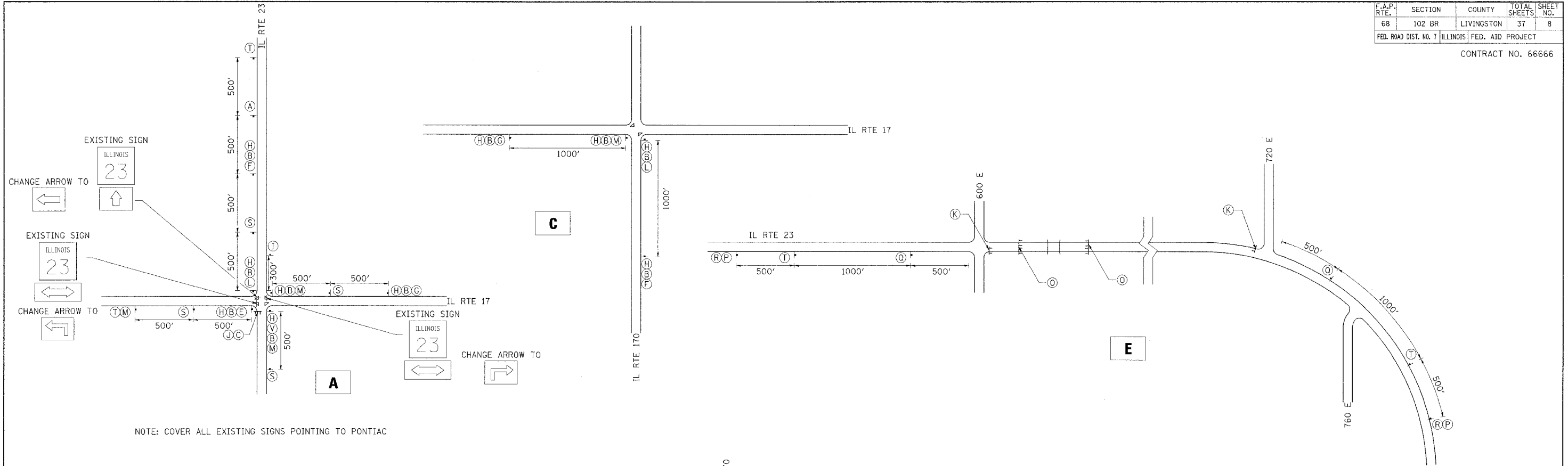
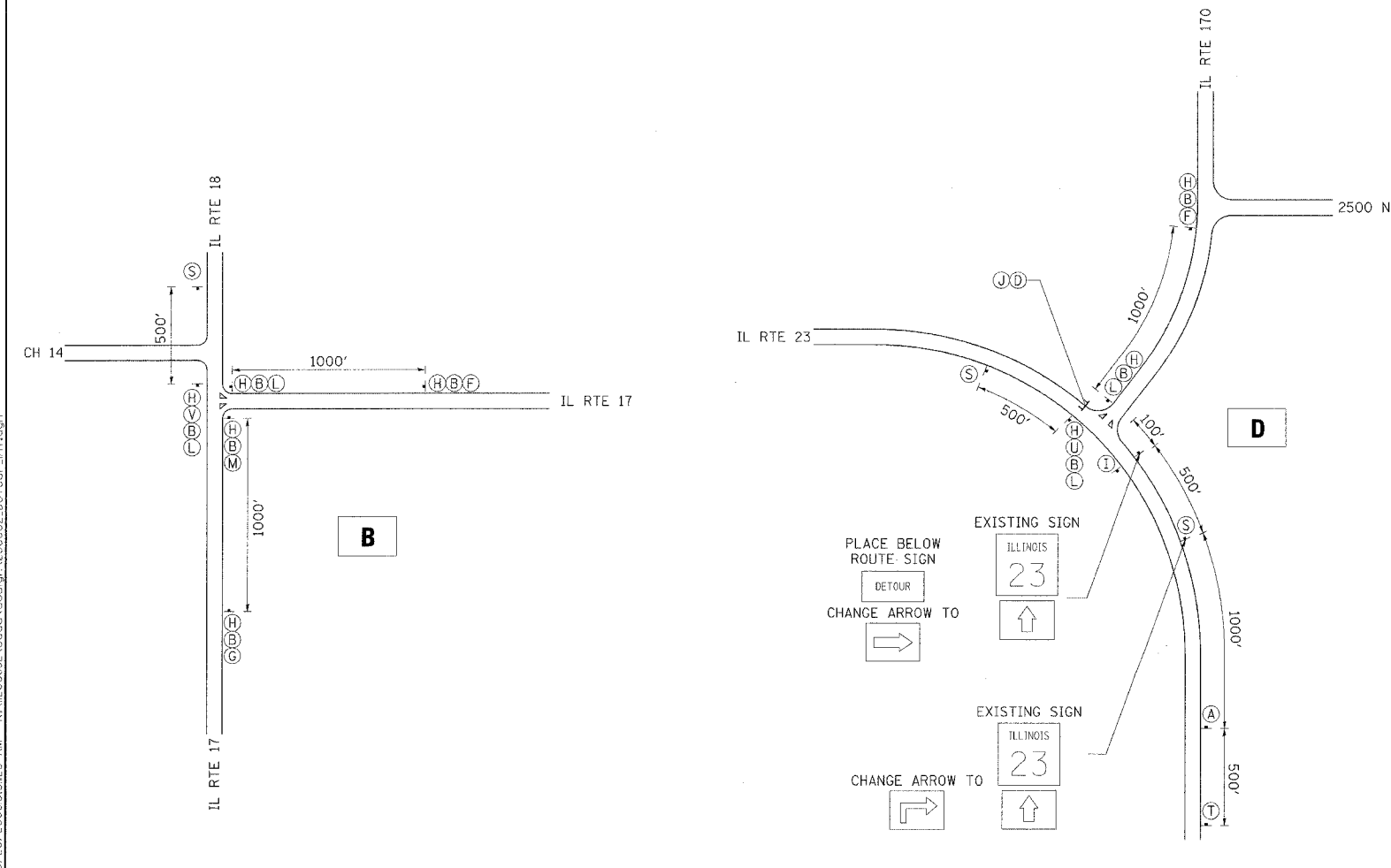


|                       |          |                  |              |           |
|-----------------------|----------|------------------|--------------|-----------|
| F.A.P. RTE.           | SECTION  | COUNTY           | TOTAL SHEETS | SHEET NO. |
| 68                    | 102 BR   | LIVINGSTON       | 37           | 8         |
| FED. ROAD DIST. NO. 7 | ILLINOIS | FED. AID PROJECT |              |           |

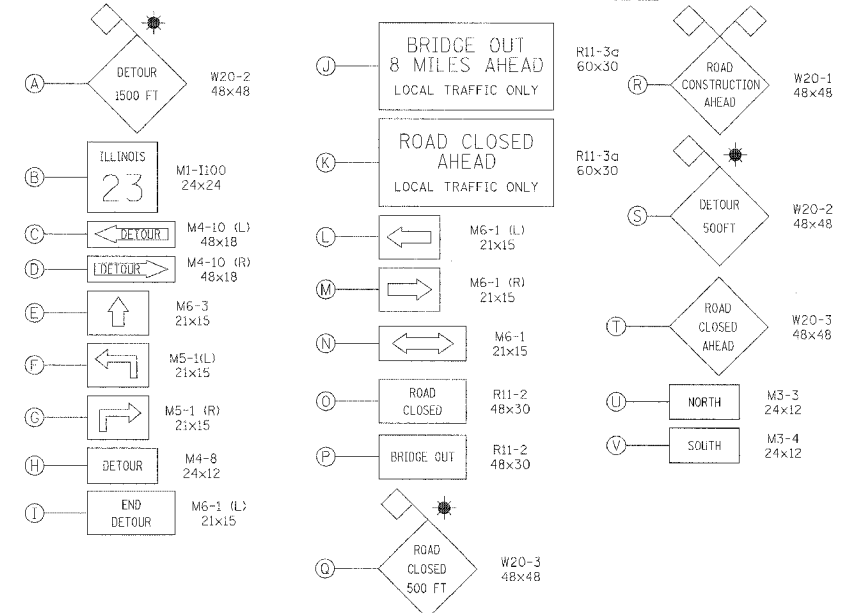
CONTRACT NO. 66666



NOTE: COVER ALL EXISTING SIGNS POINTING TO PONTIAC



SCHEDULE OF DETOUR SIGNS



NOTE: DIMENSIONS ARE SHOWN IN INCHES

**LEGEND**

- MONODIRECTIONAL FLASHING AMBER LIGHT
- DIRECTION OF TRAFFIC
- TYPE III BARRICADE W/STEADY BURNING MONODIRECTIONAL LIGHT SIGN
- ORANGE FLAG
- PAVED UNDIVIDED
- BITUMINOUS HIGH TYPE
- BITUMINOUS LOW TYPE
- GRAVEL OR STONE
- SOIL SURFACE
- RAILROAD TRACKS
- NOT KNOWN

| <p>Excellence through Ownership</p> <p>200 West Front Street<br/>Wheaton, IL 60187</p> | <table border="1"> <thead> <tr> <th colspan="2">REVISIONS</th> </tr> <tr> <th>NAME</th> <th>DATE</th> </tr> </thead> <tbody> <tr><td> </td><td> </td></tr> <tr><td> </td><td> </td></tr> <tr><td> </td><td> </td></tr> <tr><td> </td><td> </td></tr> <tr><td> </td><td> </td></tr> <tr><td> </td><td> </td></tr> <tr><td> </td><td> </td></tr> <tr><td> </td><td> </td></tr> <tr><td> </td><td> </td></tr> <tr><td> </td><td> </td></tr> </tbody> </table> | REVISIONS |  | NAME | DATE |  |  |  |  |  |  |  |  |  |  |  |  |  |  |  |  |  |  |  |  | <p>ILLINOIS DEPARTMENT OF TRANSPORTATION<br/>F.A.P. ROUTE 68 (IL 23)</p> <p><b>DETOUR PLAN<br/>NOTES &amp; DETAILS</b></p> <p>SCALE: VERT. NOT TO SCALE<br/>DATE: OCTOBER 20, 2006</p> <p>DRAWN BY: NC/JT/SR<br/>CHECKED BY: DWB</p> |
|--|--|-----------|--|------|------|--|--|--|--|--|--|--|--|--|--|--|--|--|--|--|--|--|--|--|--|--|
|  | REVISIONS  |           |  |      |      |  |  |  |  |  |  |  |  |  |  |  |  |  |  |  |  |  |  |  |  |  |
| NAME   | DATE   |           |  |      |      |  |  |  |  |  |  |  |  |  |  |  |  |  |  |  |  |  |  |  |  |  |
|  |  |           |  |      |      |  |  |  |  |  |  |  |  |  |  |  |  |  |  |  |  |  |  |  |  |  |
|  |  |           |  |      |      |  |  |  |  |  |  |  |  |  |  |  |  |  |  |  |  |  |  |  |  |  |
|  |  |           |  |      |      |  |  |  |  |  |  |  |  |  |  |  |  |  |  |  |  |  |  |  |  |  |
|  |  |           |  |      |      |  |  |  |  |  |  |  |  |  |  |  |  |  |  |  |  |  |  |  |  |  |
|  |  |           |  |      |      |  |  |  |  |  |  |  |  |  |  |  |  |  |  |  |  |  |  |  |  |  |
|  |  |           |  |      |      |  |  |  |  |  |  |  |  |  |  |  |  |  |  |  |  |  |  |  |  |  |
|  |  |           |  |      |      |  |  |  |  |  |  |  |  |  |  |  |  |  |  |  |  |  |  |  |  |  |
|  |  |           |  |      |      |  |  |  |  |  |  |  |  |  |  |  |  |  |  |  |  |  |  |  |  |  |
|  |  |           |  |      |      |  |  |  |  |  |  |  |  |  |  |  |  |  |  |  |  |  |  |  |  |  |
|  |  |           |  |      |      |  |  |  |  |  |  |  |  |  |  |  |  |  |  |  |  |  |  |  |  |  |

0/20/200605123 AM kt11206602\_cadd\design\206602\_Detour\_Int.dgn