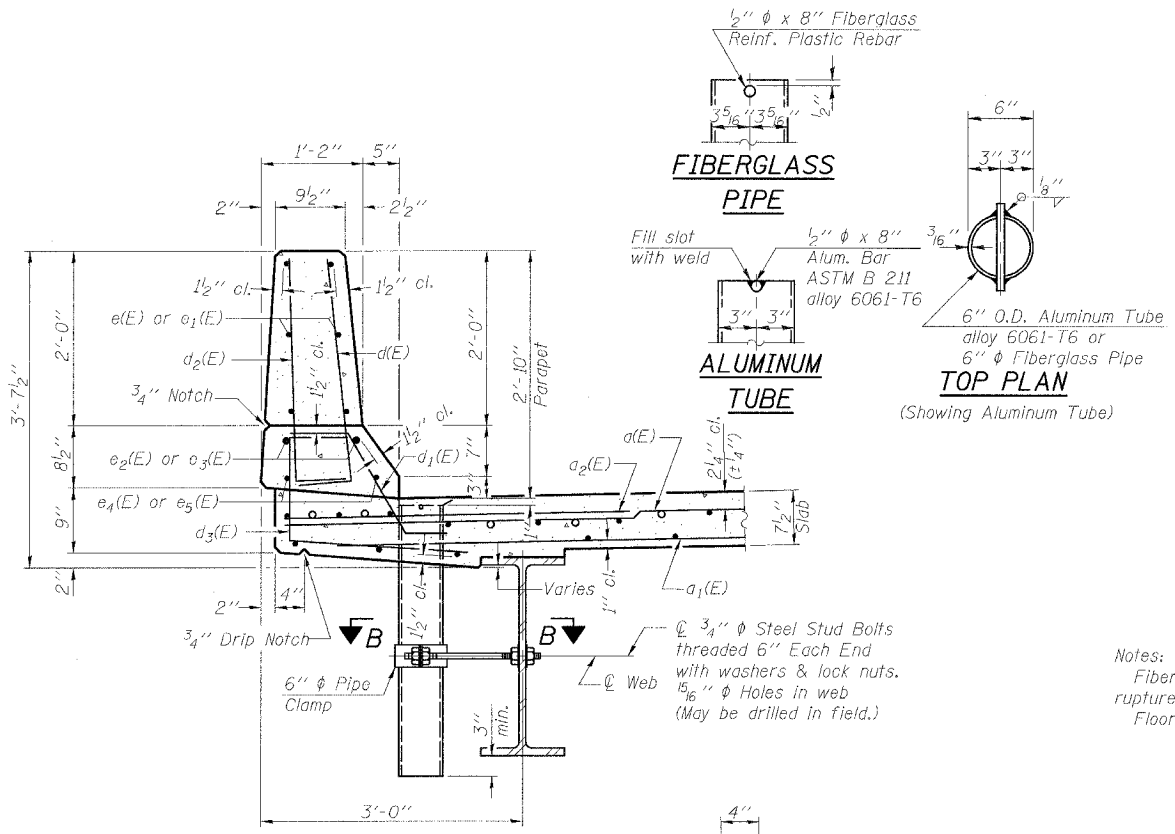


**INSIDE ELEVATION OF PARAPET**

**SUPERSTRUCTURE  
BILL OF MATERIAL**

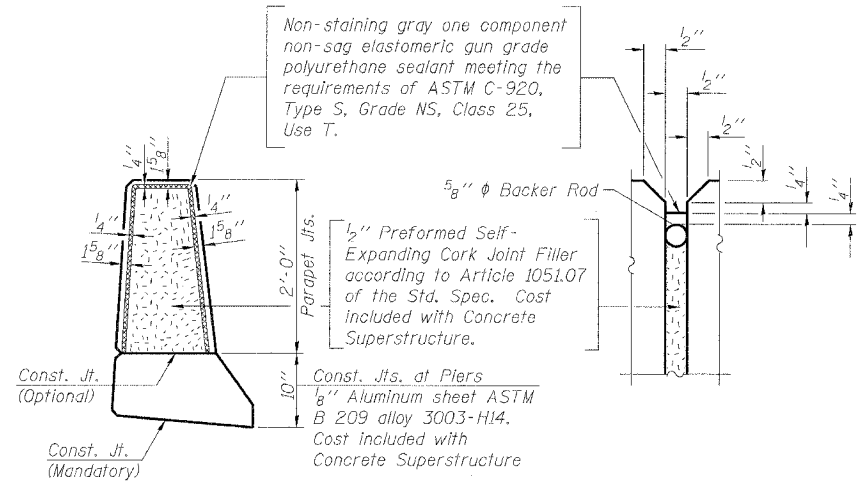
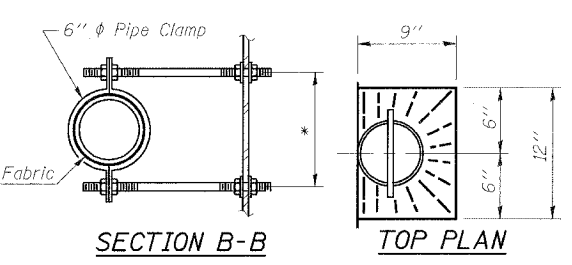
Bar	No.	Size	Length	Shape
a(E)	172	#5	34'-7"	—
a <sub>1</sub> (E)	129	#5	33'-6"	—
a <sub>2</sub> (E)	172	#6	4'-6"	—
a <sub>3</sub> (E)	4	#5	35'-5"	—
b(E)	152	#5	28'-6"	—
b <sub>1</sub> (E)	35	#6	22'-11"	—
b <sub>2</sub> (E)	155	#5	23'-3"	—
b <sub>3</sub> (E)	35	#6	20'-7"	—
d(E)	236	#5	3'-0"	┌
d <sub>1</sub> (E)	224	#5	2'-5"	┌
d <sub>2</sub> (E)	236	#4	3'-0"	┌
d <sub>3</sub> (E)	236	#4	3'-11"	┌
d <sub>4</sub> (E)	12	#5	3'-0"	┌
e(E)	48	#4	18'-9"	—
e <sub>1</sub> (E)	24	#4	15'-6"	—
e <sub>2</sub> (E)	8	#8	37'-9"	—
e <sub>3</sub> (E)	4	#8	31'-3"	—
e <sub>4</sub> (E)	8	#5	37'-9"	—
e <sub>5</sub> (E)	4	#5	31'-3"	—
m(E)	4	#6	33'-11"	—
m <sub>1</sub> (E)	6	#6	35'-5"	—
m <sub>2</sub> (E)	24	#6	8'-3"	—
m <sub>3</sub> (E)	10	#6	5'-8"	—
m <sub>4</sub> (E)	4	#6	2'-9"	—
s(E)	72	#5	5'-10"	┘
s <sub>1</sub> (E)	62	#4	7'-10"	┘
v(E)	66	#5	3'-3"	┘
Reinforcement Bars, Epoxy Coated		Pound	29,360	
Concrete Superstructure		Cu. Yds.	134.8	
Bar Splicers		Each	68	

Reinforcement bars designated (E) shall be epoxy coated.



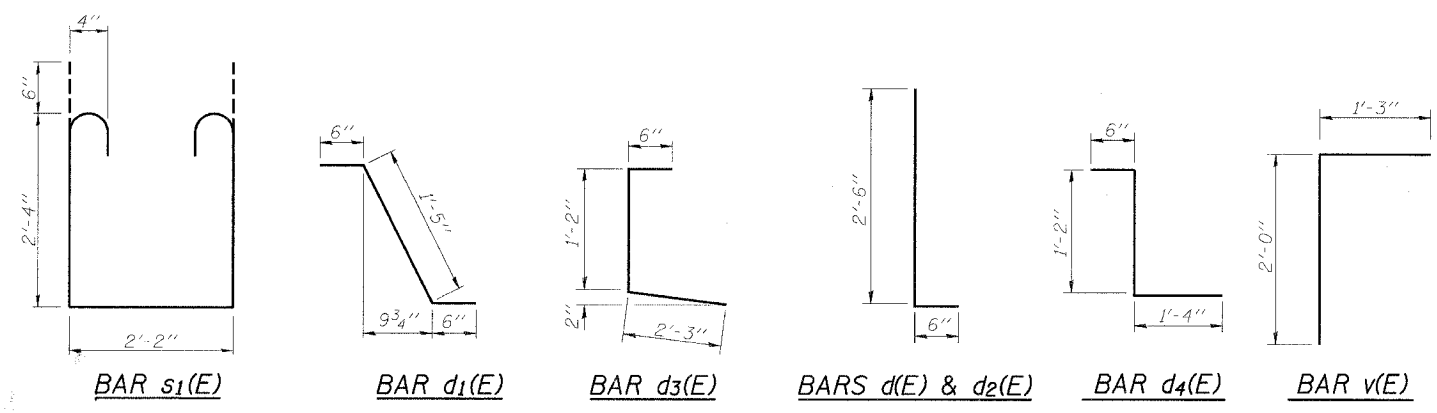
**SECTION THRU PARAPET**

\* Dimension as required by Pipe Clamp



**PARAPET JOINT DETAILS**

Notes:  
Fiberglass pipe shall conform to ASTM D 2996, with short-time rupture strength hoop tensile stress of 30,000 p.s.i. minimum.  
Floor Drains need not be painted.



**BAR s(E)**

**rjngroup**  
Excellence through Ownership

200 West Front Street  
Wheaton, IL 60187

ILLINOIS DEPARTMENT OF TRANSPORTATION

SUPERSTRUCTURE DETAILS  
IL 23 OVER MOLE CREEK  
FAP RTE 68 - SECTION 102 BR  
LIVINGSTON COUNTY  
STATION 530+05  
STRUCTURE NO. 053-0183

DATE: 10/20/2006  
DRAWN BY JMT  
CHECKED BY WJV