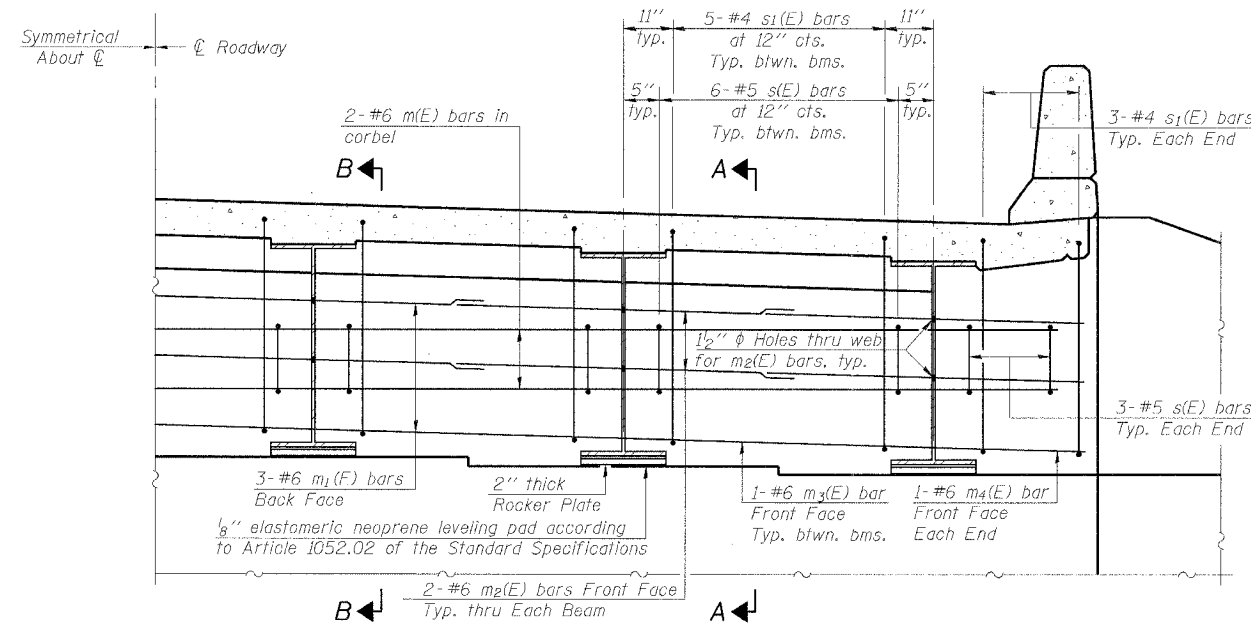


ROUTE NO.	SECTION	COUNTY	SHEETS	SHEET NO.
FAP 68	102 BR	LIVINGSTON	37	17
FED. ROAD DIST. NO. 7		ILLINOIS		FED. AID PROJECT

Contract #66666



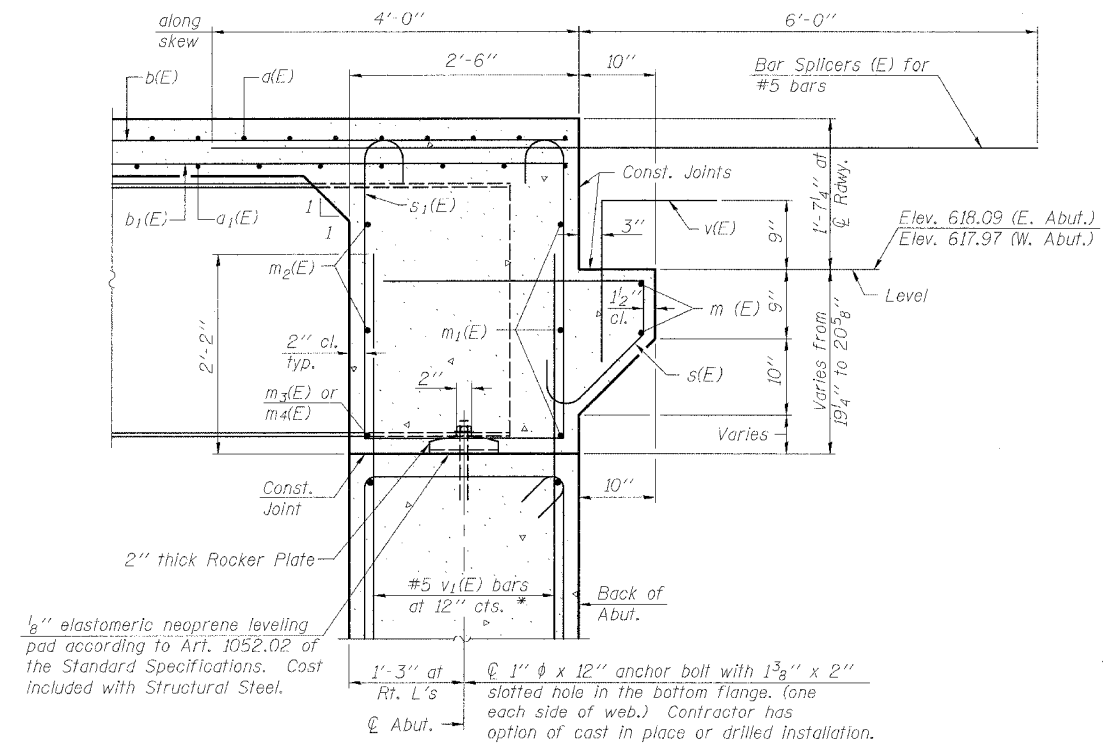
**DIAPHRAGM ELEVATION AT ABUTMENT**

(Looking East)  
 (Dimensions at Right Angles to  $\text{C}$  of Roadway)  
 Diaphragm at the West Abutment is same but mirrored.

Notes:  
 Reinforcement bars in diaphragm are billed with superstructure on sheet 6 of 17.  
 Concrete in diaphragm is included with Concrete Superstructure on sheet 6 of 17.  
 For details of bars s(E) & s1(E) see sheet 6 of 17.  
 The s(E) and s1(E) bars shall be placed parallel to the beams. Spacing for these bars shall be at right angles to the beams.  
 For anchor bolt details see sheet 10 of 17.

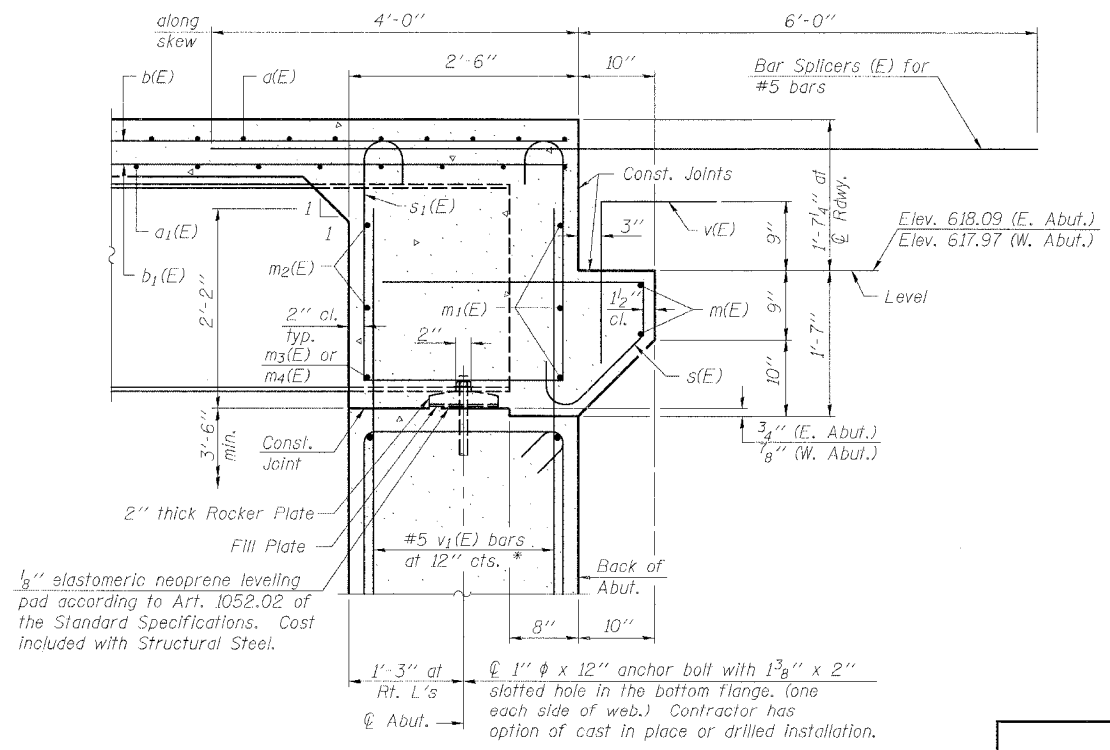
**MIN. BAR LAP**

#6 bar = 2'-9"



**SECTION A-A**

(Seats 1, 2, 5, and 6)  
 Dimensions at right angles to abutment, except as shown.



**SECTION B-B**

(Seats 3 and 4)  
 Dimensions at right angles to abutment, except as shown.

1/8" elastomeric neoprene leveling pad according to Art. 1052.02 of the Standard Specifications. Cost included with Structural Steel.  
 1'-3" at  $\text{C}$  Abut.  
 1"  $\phi$  x 12" anchor bolt with 1 3/8" x 2" slotted hole in the bottom flange. (one each side of web.) Contractor has option of cast in place or drilled installation.

1/8" elastomeric neoprene leveling pad according to Art. 1052.02 of the Standard Specifications. Cost included with Structural Steel.  
 1'-3" at  $\text{C}$  Abut.  
 1"  $\phi$  x 12" anchor bolt with 1 3/8" x 2" slotted hole in the bottom flange. (one each side of web.) Contractor has option of cast in place or drilled installation.

\* See Sheet 11 of 17

<p>Excellence through Ownership</p> <p>200 West Front Street Wheaton, IL 60187</p>	ILLINOIS DEPARTMENT OF TRANSPORTATION
	DIAPHRAGM DETAILS IL 23 OVER MOLE CREEK FAP RTE 68 - SECTION 102 BR LIVINGSTON COUNTY STATION 530+05 STRUCTURE NO. 053-0183
	DATE: 10/20/2006 DRAWN BY JMT CHECKED BY WJV

18/19/2006 K:\1126666\11\_20\_Plan\B1\Structures\Final\_Plans\Final\_Plans.dgn