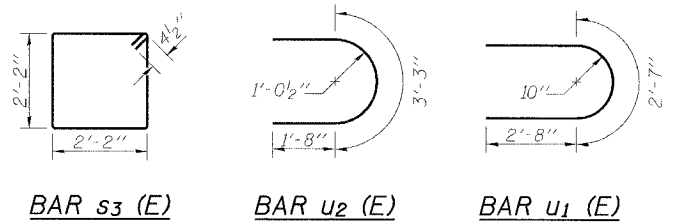
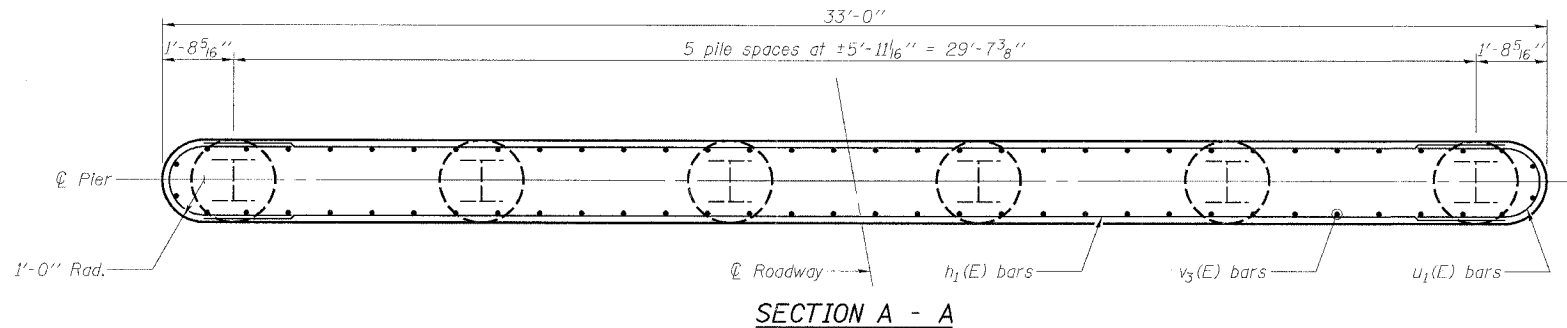
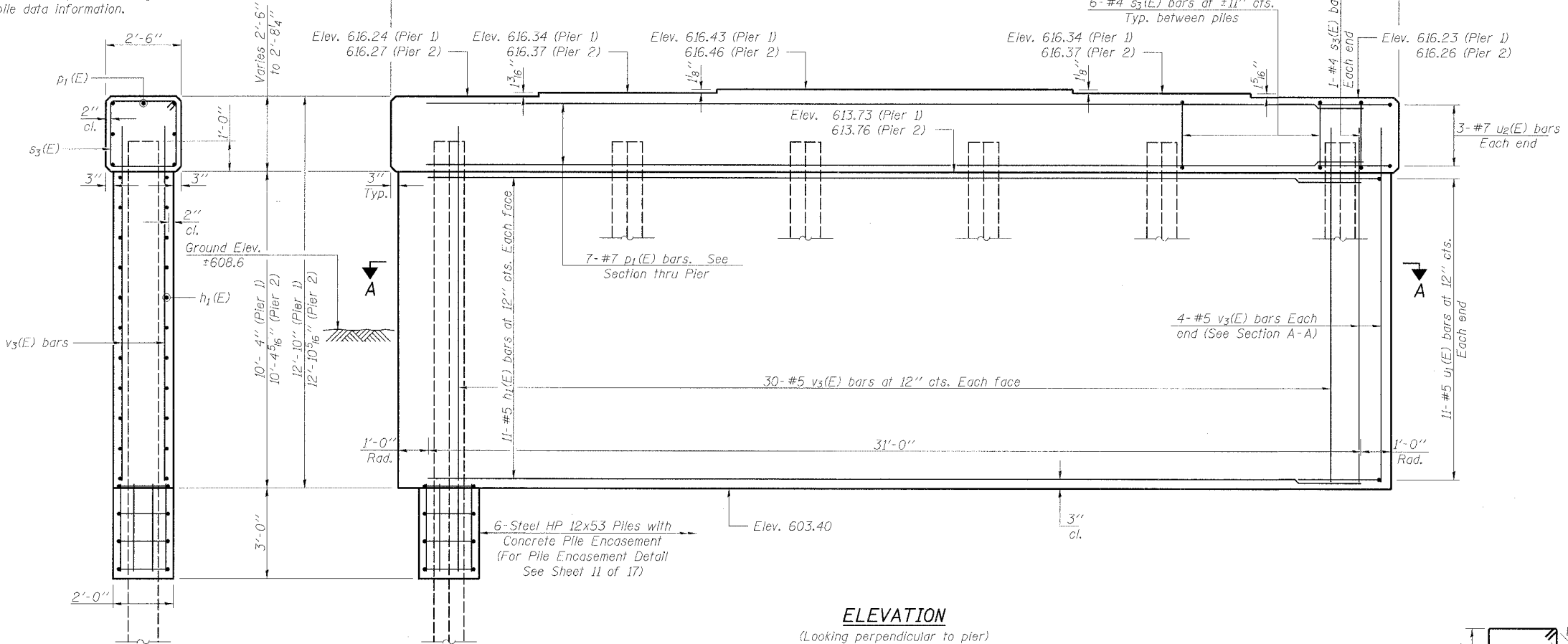
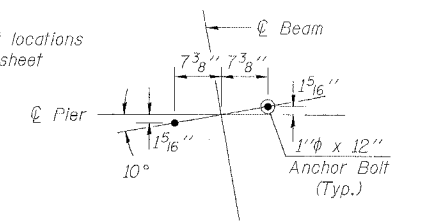
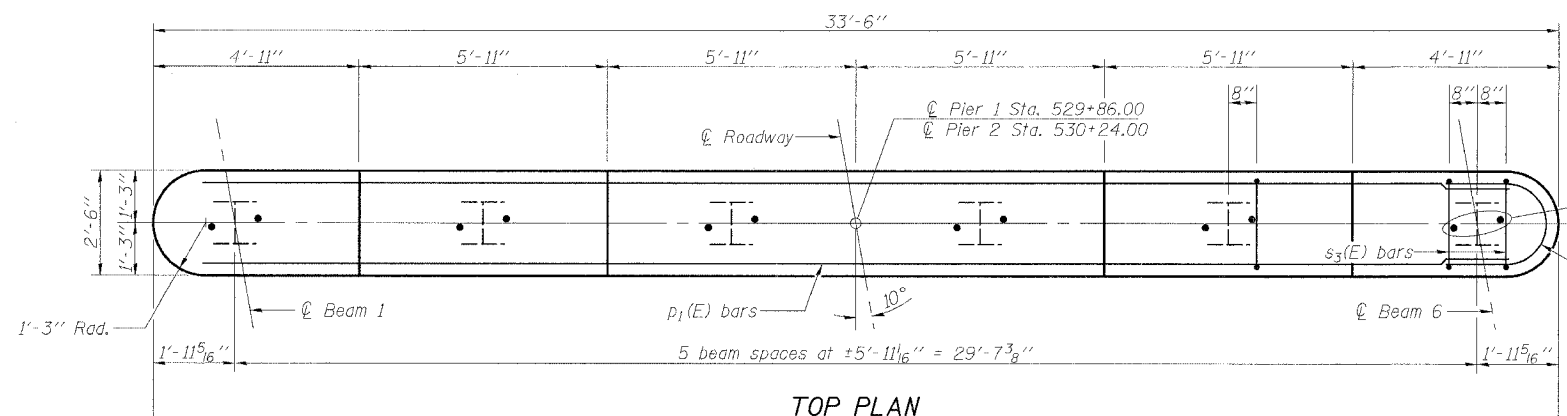


Notes: Space reinforcement in cap to miss anchor bolts.  
 Pour steps monolithically with cap.  
 For bearing details see sheet 9 of 17  
 All edges shall have standard  $\frac{3}{4}$ " chamfers.  
 See sheet 10 of 17 for anchor bolt installation.  
 See Special Provisions for "Underwater Structure Excavation Protection".

ROUTE NO.	SECTION	COUNTY	SHEET NO.	SHEET NO.
FAP 68	102 BR	Livingston	37	22
FED. ROAD DIST. NO. 7		TITLE SHEET	FED. AID PROJECT	
Contract #66666				

**PILE DATA**

Type & Size: Steel HP 12x53 with Pile Shoes  
 Nominal Required Bearing: 170 kips  
 Allowable Resistance Available: 90 kips  
 Est. Length: 46' (Pier 1 & 2)  
 No. Req'd: 6 (Pier 1)  
 5 (Pier 2) plus 1 Test Pile  
 The Steel H-piles shall be according to AASHTO M270 Grade 50.  
 The test pile shall be driven to 110 percent of the Nominal Required Bearing indicated in the pile data information.



**BILL OF MATERIAL**

2 Piers				
Bar	No.	Size	Length	Shape
$h_1(E)$	44	#5	31'-0"	—
$p_1(E)$	14	#7	31'-2"	—
$s_3(E)$	64	#4	9'-5"	□
$u_1(E)$	44	#5	7'-11"	U
$u_2(E)$	12	#7	6'-7"	U
$v_3(E)$	136	#5	11'-9"	—
Concrete Structures		Cu. Yd.	65.7	
Furnishing Steel		Foot	506	
Piles HP 12x53		Foot	506	
Driving Piles		Each	1	
Test Pile Steel HP 12x53		Each	1	
Reinforcement Bars, Epoxy Coated		Pound	4910	
Structure Excavation		Cu. Yd.	99	
Underwater Structure Excavation Protection, Location 1		Each	1	
Underwater Structure Excavation Protection, Location 2		Each	1	
Pile Shoes		Each	12	
Concrete Encasement		Cu. Yd.	4.2	

Reinforcement Bars designated (E) shall be epoxy coated

<p>Excellence through Ownership</p> <p>200 West Front Street Wheaton, IL 60187</p>	ILLINOIS DEPARTMENT OF TRANSPORTATION PIERS IL 23 OVER MOLE CREEK FAP RTE 68 - SECTION 102 BR LIVINGSTON COUNTY STATION 530+05 STRUCTURE NO. 053-0183
	DRAWN BY LCM CHECKED BY WJV
	DATE: 10/20/2006