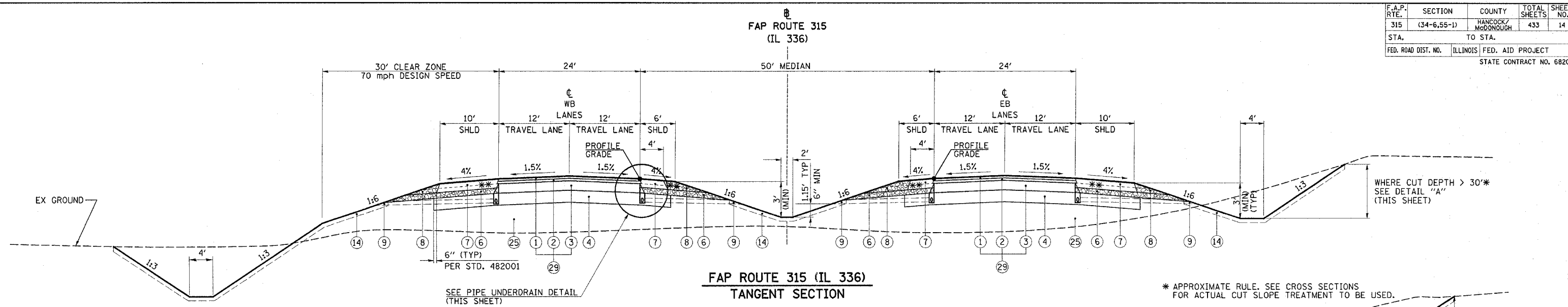
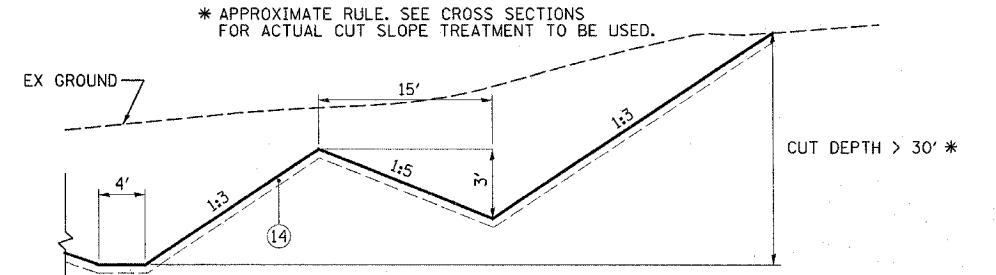


F.A.P. RTE.	SECTION	COUNTY	TOTAL SHEETS	SHEET NO.
315	(34-6,55-1)	HANCOCK/McDONOUGH	433	14
STA.	TO STA.			
FED. ROAD DIST. NO.	ILLINOIS	FED. AID PROJECT	STATE CONTRACT NO. 68206	

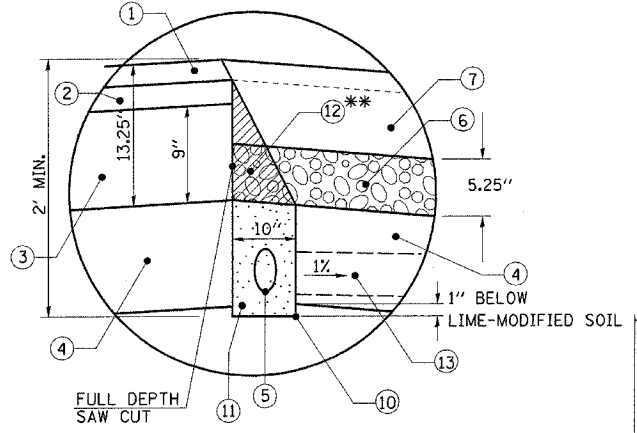


**FAP ROUTE 315 (IL 336)
TANGENT SECTION**

- TO APPLY -
 STA 1405+21.21 TO STA 1405+25.00 (EB LANES ONLY)
 STA 1405+25.00 TO STA 1411+17.86 (EB & WB LANES)
 STA 1420+62.14 TO STA 1433+87.40 (EB & WB LANES)
 STA 16+54.52 TO STA 17+49.92 (EB & WB LANES)
 STA 26+94.39 TO STA 42+96.81 (EB & WB LANES)
 STA 55+50.58 TO STA 70+84.42 (EB & WB LANES)
 STA 80+29.71 TO STA 111+00.13 (EB & WB LANES)
 STA 120+44.77 TO STA 128+00.00 (EB & WB LANES)

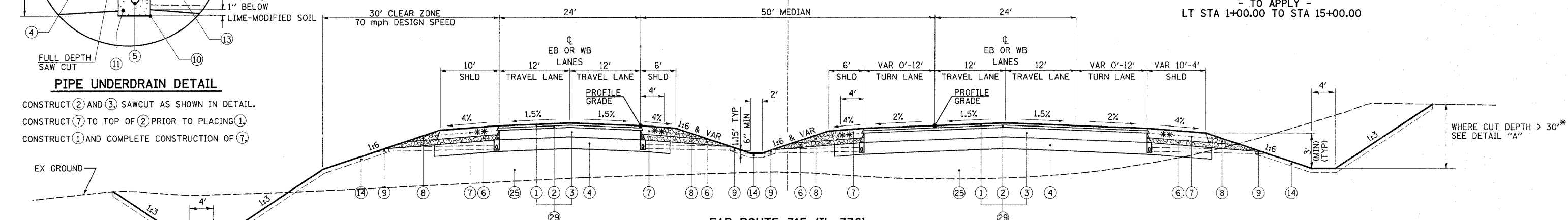


DETAIL "A"
 - TO APPLY -
 LT STA 1+00.00 TO STA 15+00.00



PIPE UNDERDRAIN DETAIL

CONSTRUCT (2) AND (3) SAWCUT AS SHOWN IN DETAIL.
 CONSTRUCT (7) TO TOP OF (2) PRIOR TO PLACING (1)
 CONSTRUCT (1) AND COMPLETE CONSTRUCTION OF (7).



**FAP ROUTE 315 (IL 336)
TANGENT SECTION WITH TURN LANES
(SHOWN IN DIRECTION OF TRAFFIC)**

- TO APPLY -
 STA 1411+17.86 TO STA 1420+62.14 (EB & WB LANES)
 STA 17+49.92 TO STA 26+94.39 (EB & WB LANES)
 STA 42+96.81 TO STA 55+50.58 (EB & WB LANES)
 STA 70+84.42 TO STA 80+29.71 (EB & WB LANES)
 STA 111+00.13 TO STA 120+44.77 (EB & WB LANES)

STRUCTURAL PAVEMENT DESIGN INFORMATION

FAP ROUTE 315 (IL 336)	
STRUCTURAL DESIGN TRAFFIC: 7000	YEAR 2018
PV = 6258	SU = 308
MU = 434	
ROAD/STREET CLASSIFICATION:	CLASS 1
PERCENT OF STRUCTURAL DESIGN TRAFFIC IN DESIGN LANE:	
P = 32%	S = 45%
M = 45%	
TRAFFIC FACTOR: 4.27	ACTUAL TF = 2.26
	AC TYPE = 20
	MINIMUM TF = 4.47
AC GRADE: 20	BINDER = SURFACE
SUBGRADE SUPPORT RATING:	SSR = POOR

MATERIALS LEGEND

- | | | |
|--|---|---|
| (1) POLYMERIZED BITUMINOUS CONCRETE SURFACE COURSE SUPERPAVE MIX D N70 2" | (11) FA-4 OR FM-4 SAND (INCLUDED IN COST OF PIPE UNDERDRAINS 4") | (21) BITUMINOUS CONCRETE SURFACE COURSE, SUPERPAVE, MIX "D", N50 1 1/2" |
| (2) POLYMERIZED BITUMINOUS CONCRETE BINDER COURSE SUPERPAVE IL-19.0 N70 2.25" | (12) BITUMINOUS WEDGE TO BE REMOVED PRIOR TO TRENCHING (INCLUDED IN COST OF "PIPE UNDERDRAINS 4") | (22) BITUMINOUS BASE COURSE SUPERPAVE 5 1/2" |
| (3) BITUMINOUS CONCRETE BINDER COURSE SUPERPAVE IL-19.0 N70 9" | (13) PIPE UNDERDRAINS 4" (SPECIAL) (PER ARTICLE 601.04) AT 1% SLOPE | (23) SUB-BASE GRANULAR MATERIAL, TYPE B 4" |
| (4) PROCESSING MODIFIED SOILS (DEPTH SPECIFIED ON THE PLANS) | (14) TOPSOIL EXCAVATION AND PLACEMENT 4" | (24) BITUMINOUS BASE COURSE SUPERPAVE 8" |
| (5) PIPE UNDERDRAINS 4" (4" CORRUGATED POLYETHYLENE TUBING @ 0.4% MIN SLOPE) | (15) AGGREGATE SURFACE COURSE, TYPE A 8" | (25) EMBANKMENT |
| (6) SUB-BASE GRANULAR MATERIAL, TYPE C, 5.25" | (16) COMPACTED EARTH SHOULDER | (26) 4" CONCRETE SEAL COAT |
| (7) BITUMINOUS SHOULDERS 8" | (17) AGGREGATE BASE COURSE, TYPE B 8" | (27) 12" SUBBASE GRANULAR MATERIAL, TYPE A |
| (8) AGGREGATE SHOULDERS, TYPE B | (18) BITUMINOUS SURFACE TREATMENT CLASS A-3 (TRAVEL LANES ONLY) | (28) AGGREGATE SHOULDERS TYPE B, 4" |
| (9) CONCRETE HEADWALL FOR PIPE DRAINS (PER STD 601101) | (19) CONCRETE GUTTER, TYPE A (MODIFIED) | (29) BITUMINOUS CONCRETE PAVEMENT (FULL-DEPTH), SUPERPAVE 13 1/4" |
| (10) 10" TRENCH FOR PIPE UNDERDRAINS (PER STD 601001) TO BE INSTALLED WITH LASER-GUIDED TRENCHER | (20) STRIP REFLECTIVE CRACK CONTROL TREATMENT | (30) WOVEN WIRE FENCE, 4' (WHERE SHOWN ON THE PLANS) |

REVISIONS	
NAME	DATE

ILLINOIS DEPARTMENT OF TRANSPORTATION
TYPICAL SECTIONS
FAP ROUTE 315 (IL 336) TANGENT
 SCALE: VERT. NONE
 HORIZ. NONE
 DATE 5/27/03
 DRAWN BY HH
 CHECKED BY SRD

Plot Date: 8/20/2006
 Plot Time: 12:16:44PM
 Plotted By: sedonahua
 Pen Table: lds.tbl
 Filename: I:\03033\constr\construction\plotted\06.tyo\06.dgn