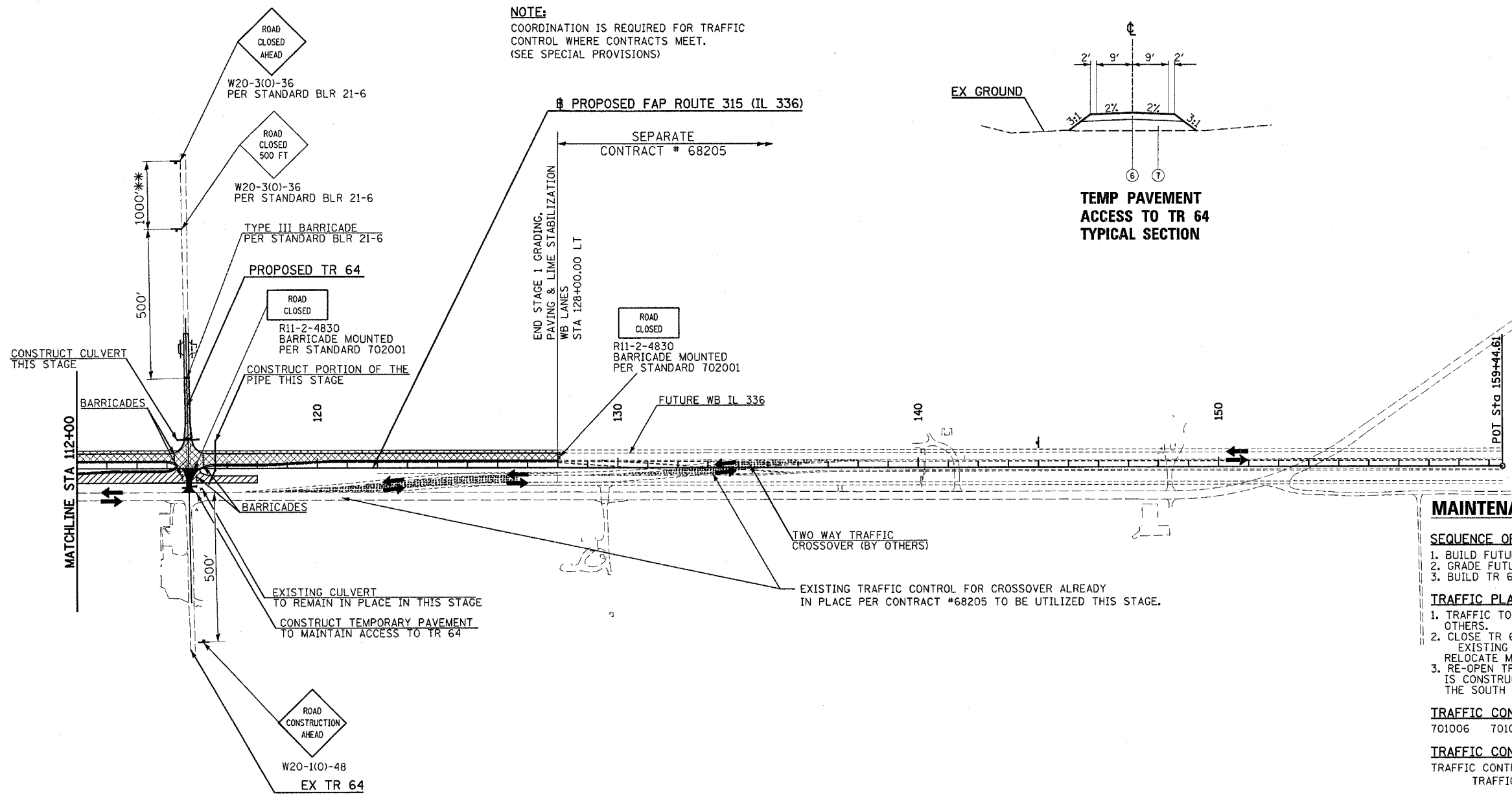
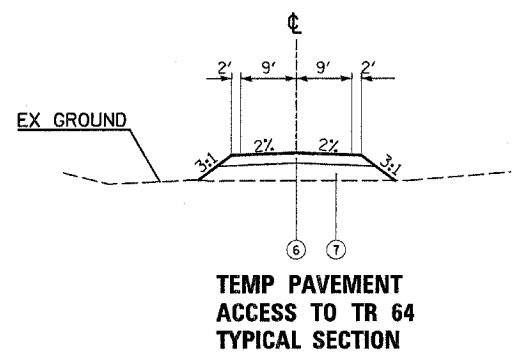


F.A.P. RTE.	SECTION	COUNTY	TOTAL SHEETS	SHEET NO.
315	(34-6.55-1)	HANCOCK/MCDONOUGH	433	72
STA. 112+00		TO STA. 128+00		
FED. ROAD DIST. NO.		ILLINOIS FED. AID PROJECT		
STATE CONTRACT NO. 68206				

**NOTE:**  
COORDINATION IS REQUIRED FOR TRAFFIC CONTROL WHERE CONTRACTS MEET.  
(SEE SPECIAL PROVISIONS)



**MAINTENANCE OF TRAFFIC STAGE 1**

**SEQUENCE OF CONSTRUCTION**

1. BUILD FUTURE WESTBOUND IL 336 FROM STA 112+00 TO 128+00
2. GRADE FUTURE EASTBOUND IL 336 FROM STA 112+00 TO 118+00
3. BUILD TR 64 NORTH OF IL 336

**TRAFFIC PLACEMENT**

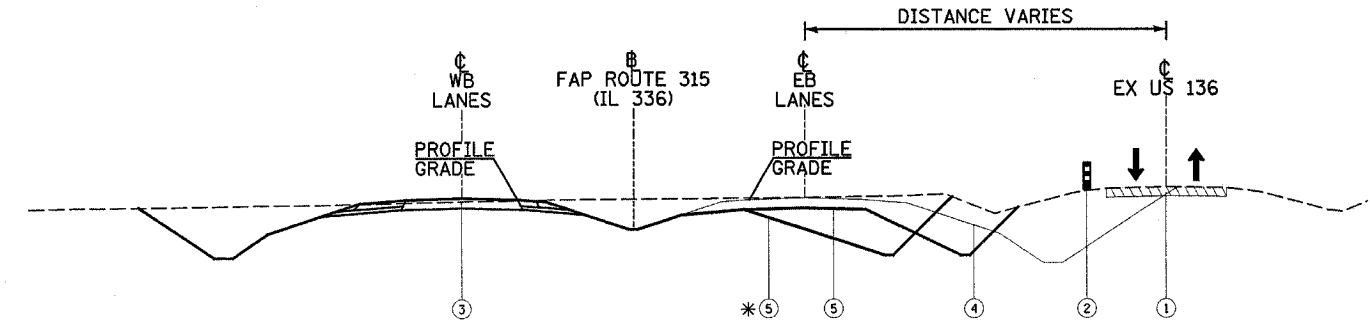
1. TRAFFIC TO UTILIZE EXISTING US 136 AND CROSSOVER AND TRAFFIC CONTROL BY OTHERS.
2. CLOSE TR 64 NORTH OF IL 336. RELOCATE TR 64 TRAFFIC TO TR 237 (900N) THEN TO EXISTING US 136
3. RELOCATE MAINLINE TRAFFIC US 136, COUNTY HIGHWAY 11 AND THEN TO COUNTY ROAD 900 N
3. RE-OPEN TR 64 TO TRAFFIC ONCE NORTH SIDE OF INTERSECTION IS CONSTRUCTED AND TEMPORARY PAVEMENT IS CONSTRUCTED ON THE SOUTH SIDE

**TRAFFIC CONTROL STANDARDS**

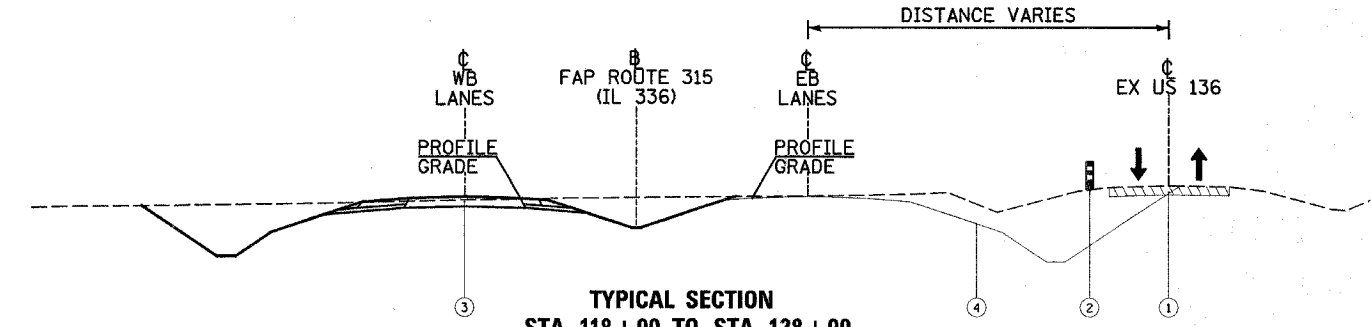
701006 701011 702001 BLR 21-6

**TRAFFIC CONTROL PAYMENT**

TRAFFIC CONTROL TO BE PAID FOR AS:  
TRAFFIC CONTROL & PROTECTION, STD BLR 21-6



**TYPICAL SECTION**  
STA 112+00 TO STA 115+00  
\* STA 115+00 TO STA 118+00



**TYPICAL SECTION**  
STA 118+00 TO STA 128+00

- |   |                                |
|---|--------------------------------|
| ① WESTBOUND & EASTBOUND TRAFFIC ON EXISTING US 136    | ⑤ GRADING ONLY IN THIS STAGE   |
| ② DRUMS WITH STEADY BURN LIGHTS (PER STANDARD 701006) | ⑥ 8" BITUMINOUS BASE COURSE    |
| ③ PROPOSED CONSTRUCTION THIS STAGE                    | ⑦ GRANULAR EMBANKMENT, SPECIAL |
| ④ FUTURE GRADING IN STAGE 2                           |                                |

LEGEND	
↑	DIRECTION OF TRAFFIC FLOW
⌈	ROAD CLOSED (TYPE III BARRICADE)
▨	TEMPORARY CROSSOVER (BY OTHERS)
▧	GRADING ONLY
⋯	ARROW PANEL SUPPORT
▩	GRADING & PAVING
■	TEMPORARY PAVEMENT (THIS CONTRACT)
▨	COMPLETED PAVEMENT
⋯	ARROW BOARD
D	PORTABLE CHANGEABLE MESSAGE SIGN

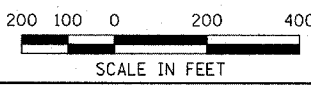
REVISIONS	
NAME	DATE

ILLINOIS DEPARTMENT OF TRANSPORTATION

**CONSTRUCTION STAGING PLAN**  
STAGE 1  
FAP ROUTE 315 (IL 336)

SCALE: VERT. N/A  
HORIZ. 1"=200'  
DATE 12/17/03

DRAWN BY HH  
CHECKED BY SRD



Plot Date: 7/18/2006  
 Plot Time: 10:00 AM  
 Plot User: jbschmitt  
 Plot Tables: 1001.tbl  
 File Name: I:\03033\road\1\constr\staging\plans\043.cad\04mil2.dgn

\*\* NOT TO SCALE, FOLLOW DIMENSIONS