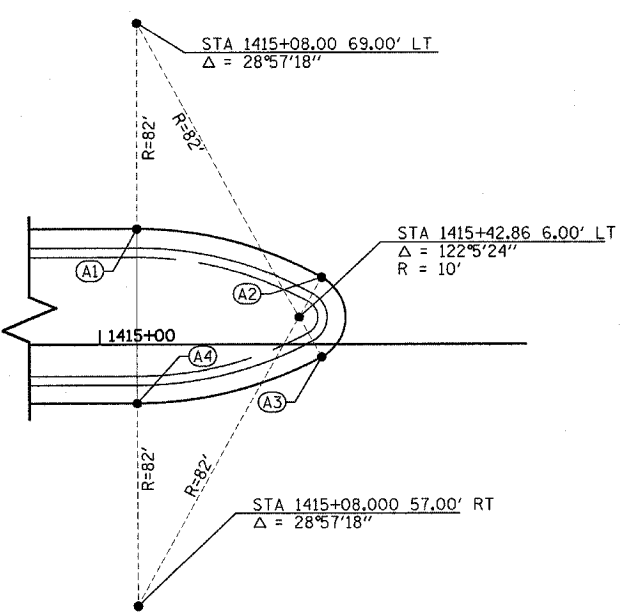
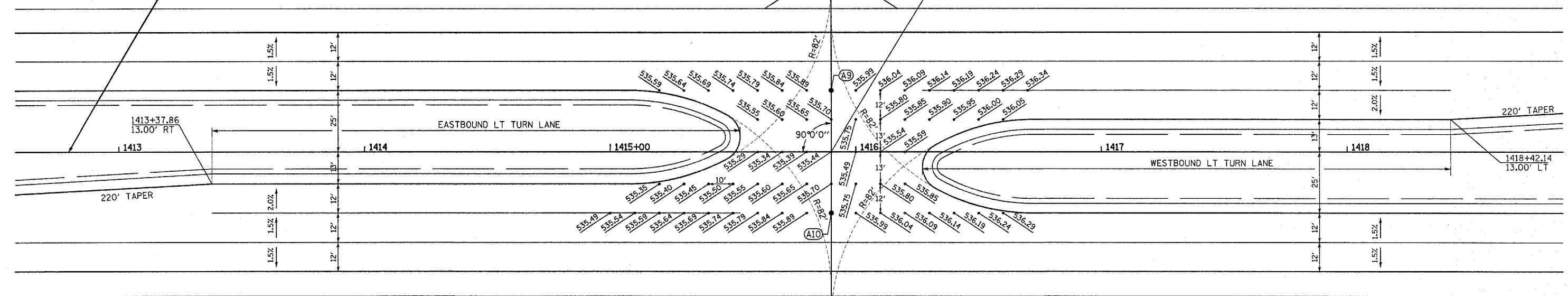




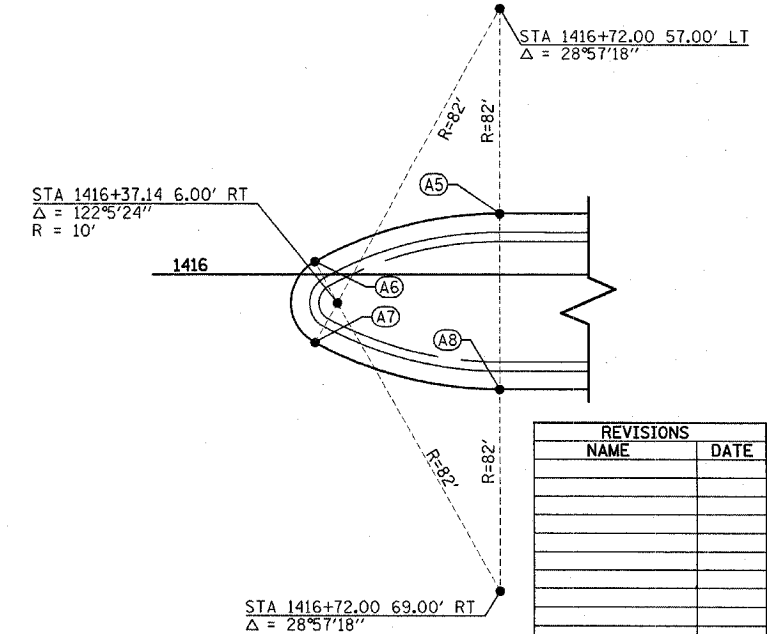
PROPOSED SHARED FIELD ENTRANCE

STA 1415+90.00 @ IL 336 =
 ☐ MEDIAN OPENING/FIELD ENTRANCES

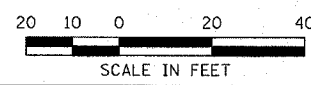
PROPOSED FAP ROUTE 315 (IL 336)



PR MEDIAN RADIUS POINTS			
POINT	STATION	OFFSET	ELEVATION
A1	1415+08.00	25.00' LT	535.53
A2	1415+47.70	14.75' LT	535.53
A3	1415+47.70	2.75' RT	535.29
A4	1415+08.00	13.00' RT	535.29
A5	1416+72.00	13.00' LT	536.11
A6	1416+32.30	2.75' LT	535.71
A7	1416+32.30	14.75' RT	535.95
A8	1416+72.00	25.00' RT	536.35
A9	1415+90.00	25.00' LT	535.94
A10	1415+90.00	25.00' RT	535.94



PROPOSED SHARED FIELD ENTRANCE



REVISIONS	
NAME	DATE

ILLINOIS DEPARTMENT OF TRANSPORTATION
INTERSECTION DETAILS
 IL 336 & MEDIAN CROSSOVER
 STA 1415+90.00

SCALE: VERT. N/A
 HORIZ. 1"=20'
 DATE 1/10/05

DRAWN BY BDS
 CHECKED BY SRD

Plot Date: 7/8/2006
 Plot Time: 3:53:05 PM
 Plotted By: bschmidt
 Pen Table: fdot.tbl
 File Name: I:\03033\cadd\1\constr\turn\turns\631\pr01336_016.dgn