

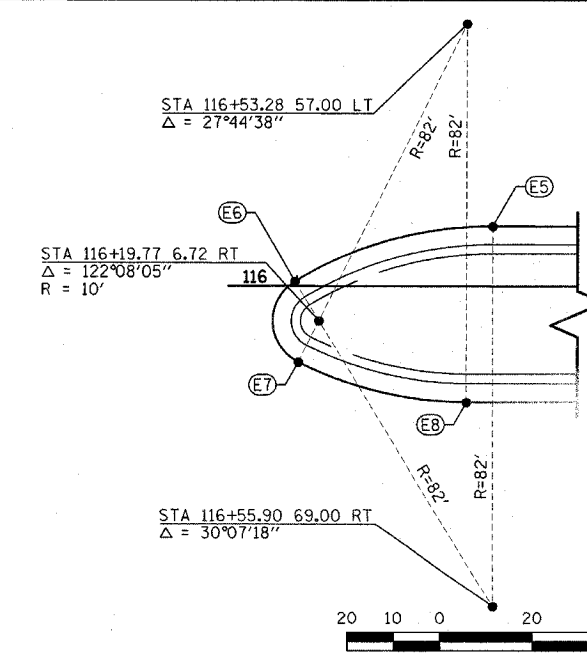
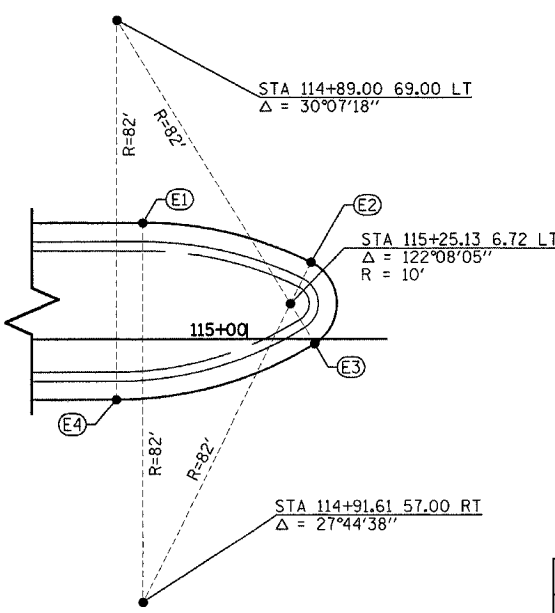
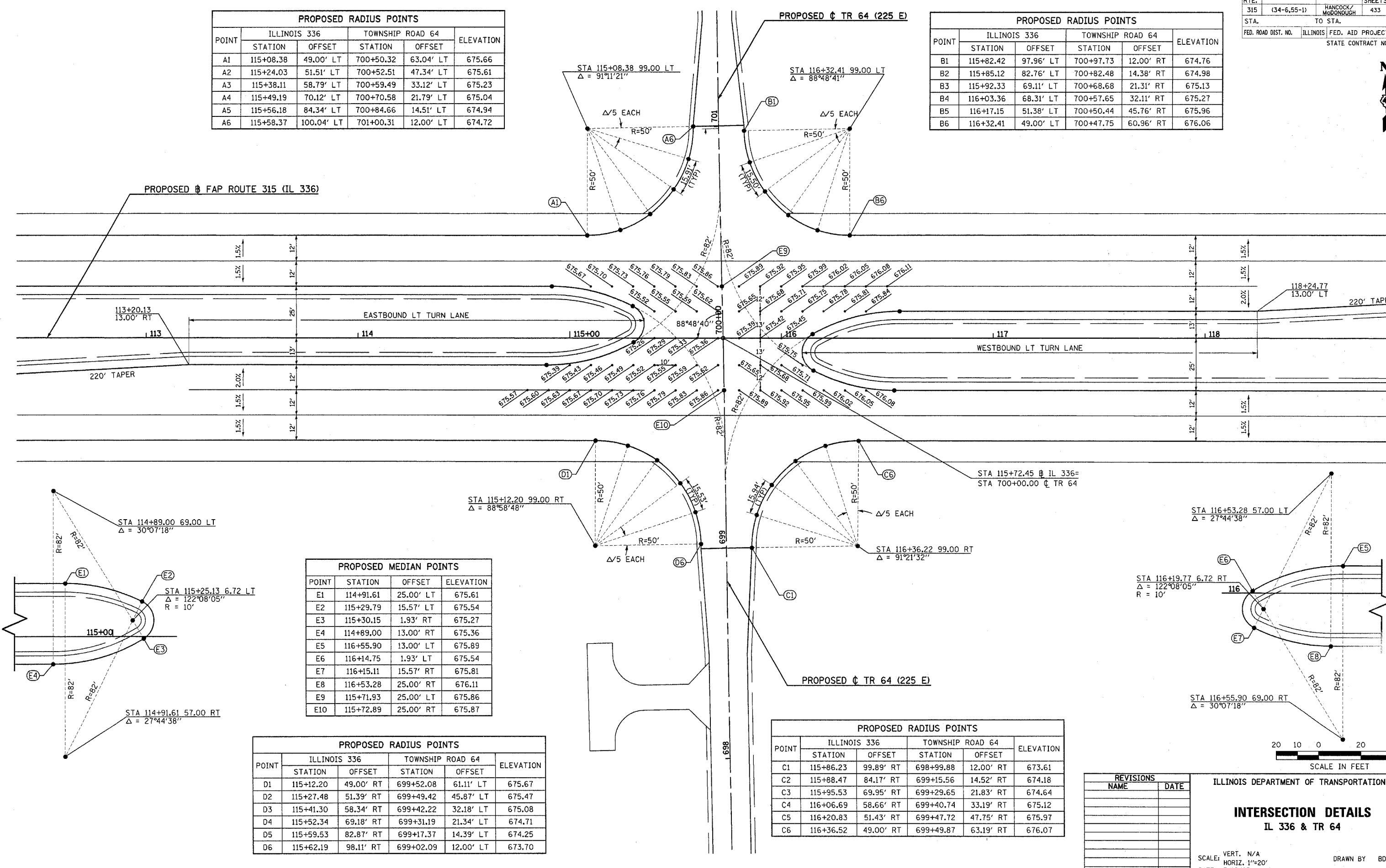
POINT	ILLINOIS 336		TOWNSHIP ROAD 64		ELEVATION
	STATION	OFFSET	STATION	OFFSET	
A1	115+08.38	49.00' LT	700+50.32	63.04' LT	675.66
A2	115+24.03	51.51' LT	700+52.51	47.34' LT	675.61
A3	115+38.11	58.79' LT	700+59.49	33.12' LT	675.23
A4	115+49.19	70.12' LT	700+70.58	21.79' LT	675.04
A5	115+56.18	84.34' LT	700+84.66	14.51' LT	674.94
A6	115+58.37	100.04' LT	701+00.31	12.00' LT	674.72

POINT	ILLINOIS 336		TOWNSHIP ROAD 64		ELEVATION
	STATION	OFFSET	STATION	OFFSET	
B1	115+82.42	97.96' LT	700+97.73	12.00' RT	674.76
B2	115+85.12	82.76' LT	700+82.48	14.38' RT	674.98
B3	115+92.33	69.11' LT	700+68.68	21.31' RT	675.13
B4	116+03.36	68.31' LT	700+57.65	32.11' RT	675.27
B5	116+17.15	51.38' LT	700+50.44	45.76' RT	675.96
B6	116+32.41	49.00' LT	700+47.75	60.96' RT	676.06

POINT	STATION	OFFSET	ELEVATION
E1	114+91.61	25.00' LT	675.61
E2	115+29.79	15.57' LT	675.54
E3	115+30.15	1.93' RT	675.27
E4	114+89.00	13.00' RT	675.36
E5	116+55.90	13.00' LT	675.89
E6	116+14.75	1.93' LT	675.54
E7	116+15.11	15.57' RT	675.81
E8	116+53.28	25.00' RT	676.11
E9	115+71.93	25.00' LT	675.86
E10	115+72.89	25.00' RT	675.87

POINT	ILLINOIS 336		TOWNSHIP ROAD 64		ELEVATION
	STATION	OFFSET	STATION	OFFSET	
D1	115+12.20	49.00' RT	699+52.08	61.11' LT	675.67
D2	115+27.48	51.39' RT	699+49.42	45.87' LT	675.47
D3	115+41.30	58.34' RT	699+42.22	32.18' LT	675.08
D4	115+52.34	69.18' RT	699+31.19	21.34' LT	674.71
D5	115+59.53	82.87' RT	699+17.37	14.39' LT	674.25
D6	115+62.19	98.11' RT	699+02.09	12.00' LT	673.70

POINT	ILLINOIS 336		TOWNSHIP ROAD 64		ELEVATION
	STATION	OFFSET	STATION	OFFSET	
C1	115+86.23	99.89' RT	698+99.88	12.00' RT	673.61
C2	115+88.47	84.17' RT	699+15.56	14.52' RT	674.18
C3	115+95.53	69.95' RT	699+29.65	21.83' RT	674.64
C4	116+06.69	58.66' RT	699+40.74	33.19' RT	675.12
C5	116+20.83	51.43' RT	699+47.72	47.75' RT	675.97
C6	116+36.52	49.00' RT	699+49.87	63.19' RT	676.07



NAME	DATE

ILLINOIS DEPARTMENT OF TRANSPORTATION

INTERSECTION DETAILS
IL 336 & TR 64

SCALE: VERT. N/A
HORIZ. 1"=20'

DATE: 7/16/03

DRAWN BY: BDS
CHECKED BY: SRD

Plot Date: 7/16/2006
Plot Time: 10:00 AM
Plot Path: C:\p11\116\116.dwg
Pen Table: iso.ctb
Plot Name: I:\030333\road\116\116.dwg