

Bench Mark: Standard tablet "REI 3 1944", Elev. 537.51

STATE OF ILLINOIS
DEPARTMENT OF TRANSPORTATION

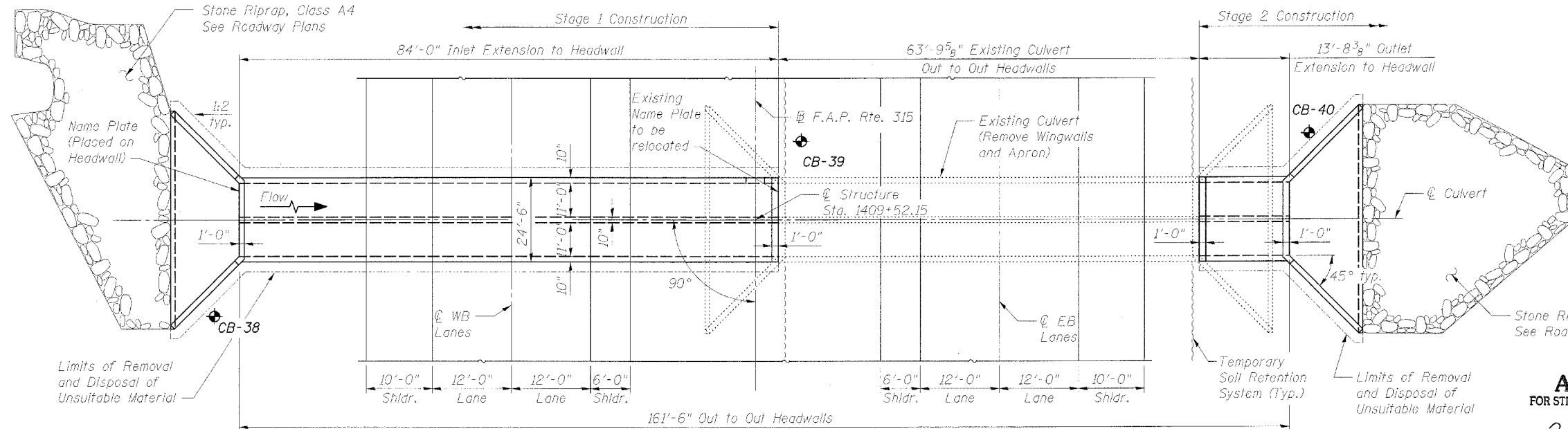
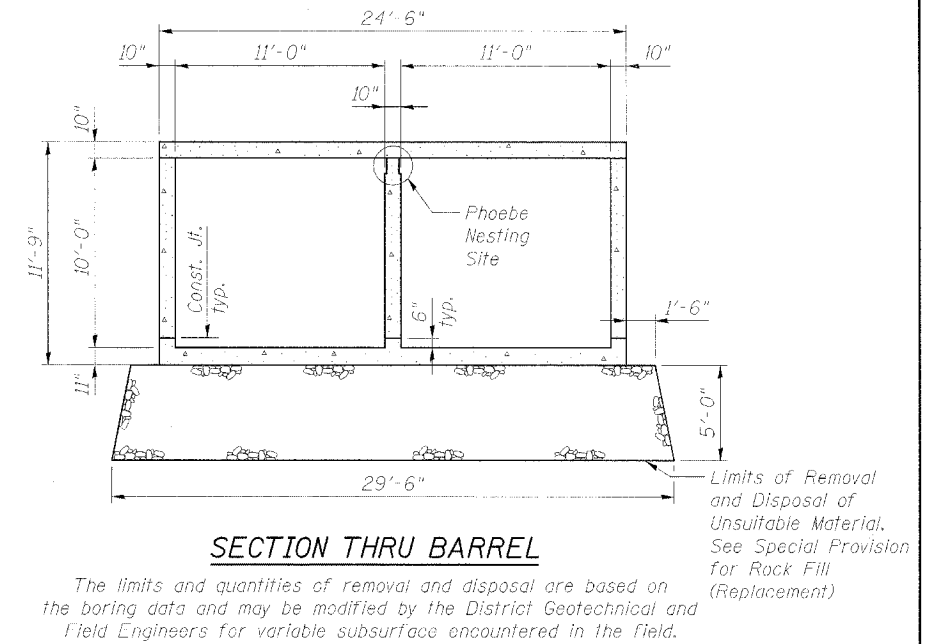
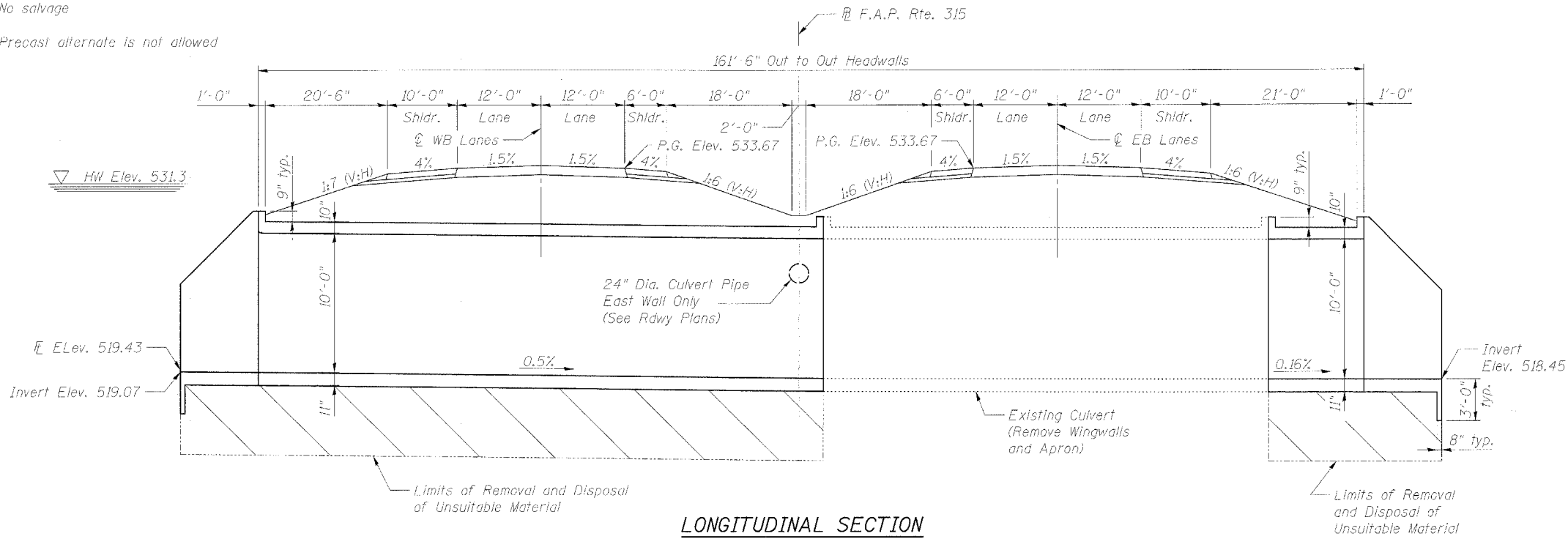
ROUTE NO.	SECTION	COUNTY	TOTAL SHEETS	SHEET NO.
F.A.P. 315	24(B-1)	HANCOCK	433	193
FED. ROAD DIST. NO. 7		S. LINE	FED. AID PROJECT	

Contract #68206

Existing Structure: The existing structure, S.N. 034-2007, built in 1991 under Section 24(B-1) replaced the original structure. It consists of a cast in place double cell box culvert with a clear height of 10'-0" and a clear width of 11'-0" per cell. The back to back headwall dimension is 64'-0". The existing wingwalls and aprons shall be removed and the barrel extended at both ends. Traffic is to be maintained on existing roadway. Culvert will be extended upstream and the WB Roadway constructed. Traffic will then be diverted and the culvert extended downstream.

No salvage

Precast alternate is not allowed



NAME PLATE

STATION 1409+52.15
BUILT 200 BY
STATE OF ILLINOIS
F.A.P. RT. 315 SEC. 24(B-1)
LOADING HS20
STR. NO. 034-2007

See Std. 515001.
Existing name plate shall be cleaned and relocated adjacent to new name plate. This cost included with Name Plates

LOADING HS20-44

Allow 50#/sq. ft. for future wearing surface.

DESIGN SPECIFICATIONS

2002 AASHTO

DESIGN STRESSES

FIELD UNITS

$f'_c = 3,500$ psi (concrete)
 $f_y = 60,000$ psi (reinforcement)

SEISMIC DATA

Seismic Performance Category (S.P.C.) = A
Bedrock Acceleration Coefficient (A) = 0.04g
Site Coefficient (S) = 1.0

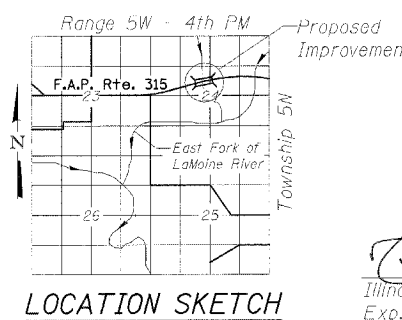
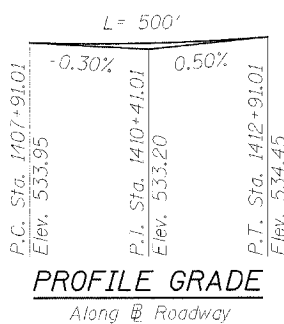
APPROVED
FOR STRUCTURAL ADEQUACY ONLY

Ralph E. Anderson
ENGINEER OF BRIDGES AND STRUCTURES

WATERWAY INFORMATION

Drainage Area = 1.9 sq. mi. Low Grade Elev. 532.11 @ Sta. 690+88.70

Flood	Freq. Yr.	Q C.F.S.	Opening Sq. Ft.		Nat. H.W.E.	Head - Ft.		Headwater El.	
			Exist.	Prop.		Exist.	Prop.	Exist.	Prop.
Design	50	1396	220	220	531.3	0.8	0.9	532.1	532.2
Base	100	1647	220	220	531.3	-	1.2	-	532.5
Overtopping	50	1406	220	220	531.3	0.8	-	532.1	-
Max. Calc.	500	2272	220	220	531.3	-	2.3	-	533.6



4700 REGISTERED STRUCTURAL ENGINEER
7-11-06
STATE OF ILLINOIS
Illinois Structural No. 4700
Exp. 11-30-06

GENERAL PLAN AND ELEVATION
ILLINOIS ROUTE 336 OVER TRIBUTARY
OF THE EAST FORK OF THE LAMOINE RIVER
F.A.P. ROUTE 315 - SECTION 24(B-1)
HANCOCK COUNTY
STA. 1409+52.15
STRUCTURE NO. 034-2007

DESIGNED	RMK
CHECKED	NJM
DRAWN	RMK
CHECKED	NJM

HORNER & SHIFRIN, INC.
ENGINEERS ARCHITECTS PLANNERS