

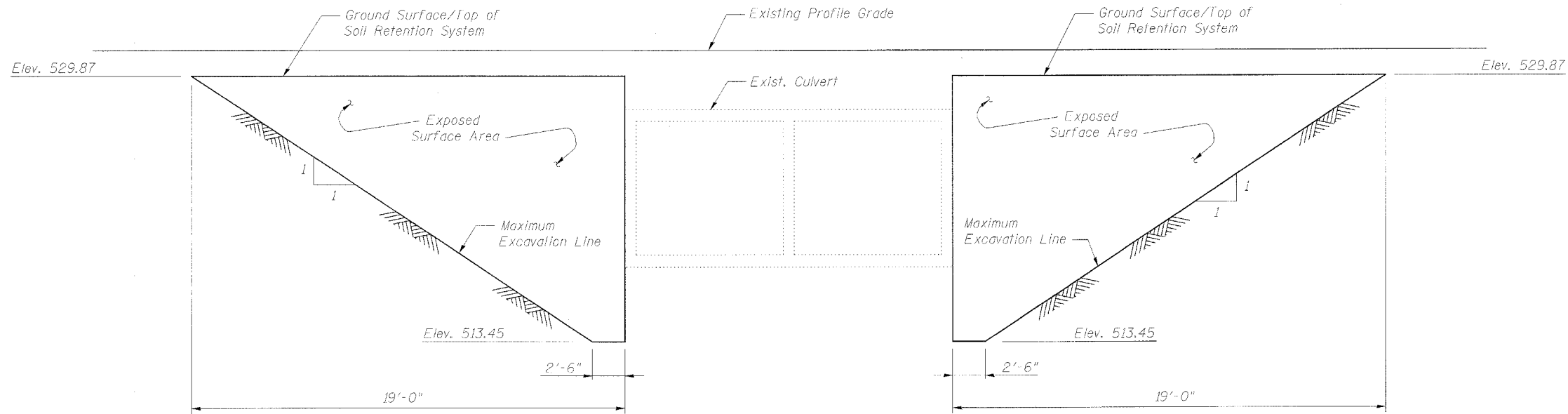
STATE OF ILLINOIS
DEPARTMENT OF TRANSPORTATION

ROUTE NO.	SECTION	COUNTY	TOTAL SHEETS	SHEET NO.	SHEET NO. 2 6 SHEETS
F.A.P. 315	24(B-1)	HANCOCK	433	194	
FED. ROAD DIST. NO. 7	ILLINOIS	FED. AID PROJECT			

Contract #68206

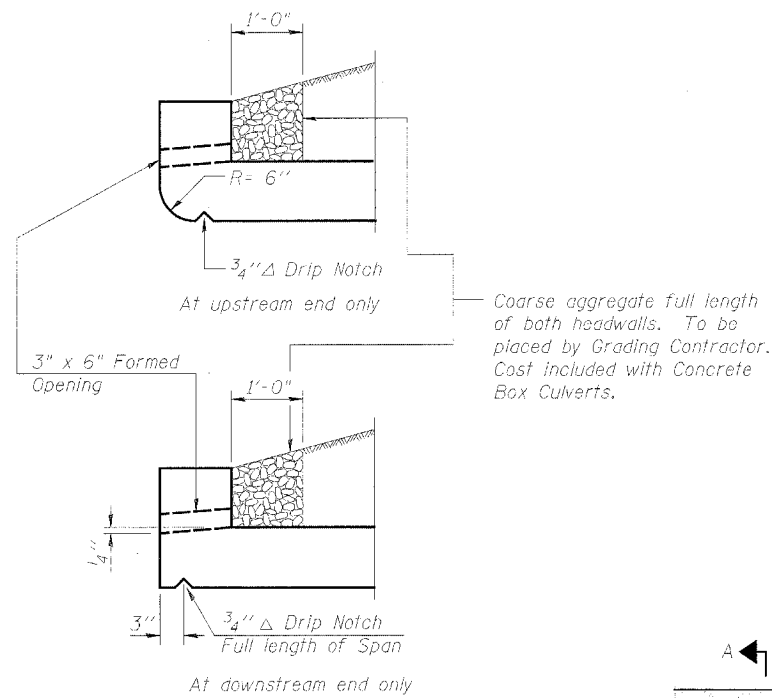
GENERAL NOTES

1. A distance of half the length of the wingwall but not less than six feet of the barrel shall be poured monolithically with the wingwalls.
2. Reinforcement bars shall conform to the requirements of AASHTO M-31 or M322, Grade 60.
3. All construction joints shall be bonded.
4. For backfilling and embankment, see Standard Specifications.
5. Exposed edges shall be beveled $\frac{3}{4}$ inch.
6. Expansion bolts shall consist of self-drilling expansion shields and $\frac{3}{4}$ " diameter hooked bolts. Hooked bolts shall extend a minimum of 9 inches in the new concrete. Minimum certified proof load is 4 kips.
7. See roadway plans for layout of stone riprap.
8. Drains in existing headwalls shall be filled with concrete. This cost included with Concrete Box Culvert.
9. A cantilevered sheet piling design does not appear feasible and additional members or other retention systems may be necessary. The Contractor shall submit a temporary soil retention system design including plan details and calculations for review and acceptance by the Engineer.

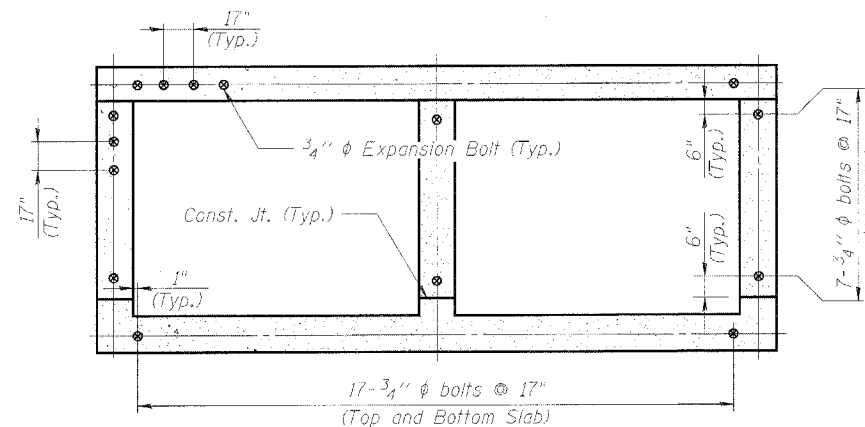


TEMPORARY SOIL RETENTION SYSTEM

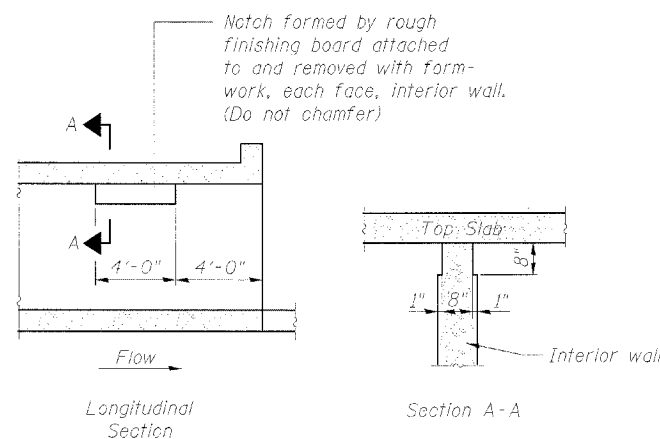
North - Stage 1 Construction
South - Stage 2 Construction



DRAIN DETAIL



**SECTION THRU CULVERT EXTENSIONS
SHOWING EXPANSION BOLT PLACEMENT**



**PHOEBE NESTING
SITE DETAILS**
(Downstream end only)

MINIMUM BAR LAP

LOCATION:	BARRELS
BAR SIZE	LAP LENGTH
#4	1'-4"
#5	1'-8"
#6	2'-0"
#7	2'-9"
#8	3'-8"
#9	4'-7"

LOCATION:	WINGWALLS
BAR SIZE	LAP LENGTH
#4	1'-8"
#5	2'-2"
#6	2'-7"
#7	3'-5"
#8	4'-6"
#9	5'-9"

TOTAL BILL OF MATERIAL

ITEM	UNIT	TOTAL
Removal and Disposal of Unsuitable Material	Cu. Yd.	731
Concrete Removal	Cu. Yd.	48.1
Reinforcement Bars	Pound	66,310
Reinforcement Bars, Epoxy Coated	Pound	2,000
Wave Plates	Each	1
Expansion Bolts, $\frac{3}{4}$ " ϕ X 18"	Each	110
Concrete Box Culverts	Cu. Yd.	300.7
Temporary Soil Retention System	Sq. Ft.	706
Box Culverts to be Cleaned	Each	1
Rock Fill (Replacement)	Ton	1099

INDEX OF SHEETS

SHEET NO.	DESCRIPTION
1	General Plan & Elevation
2	General Details and Notes, Bill of Material and Temporary Soil Retention System
3	Reinforcing Plan, Elevation and Details
4	Wingwalls and Reinforcement Details
5-6	Boring Logs

**GENERAL DETAILS AND NOTES,
BILL OF MATERIAL AND TEMPORARY
SOIL RETENTION SYSTEM
ILLINOIS ROUTE 336 OVER TRIBUTARY
OF THE EAST FORK OF THE LAMOINE RIVER
F.A.P. ROUTE 315 - SECTION 24(B-1)
HANCOCK COUNTY
STA. 1409+52.15
STRUCTURE NO. 034-2007**

DESIGNED	RMK
CHECKED	NJM
DRAWN	RMK
CHECKED	NJM