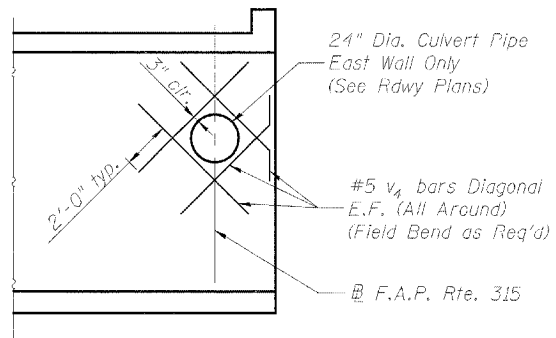
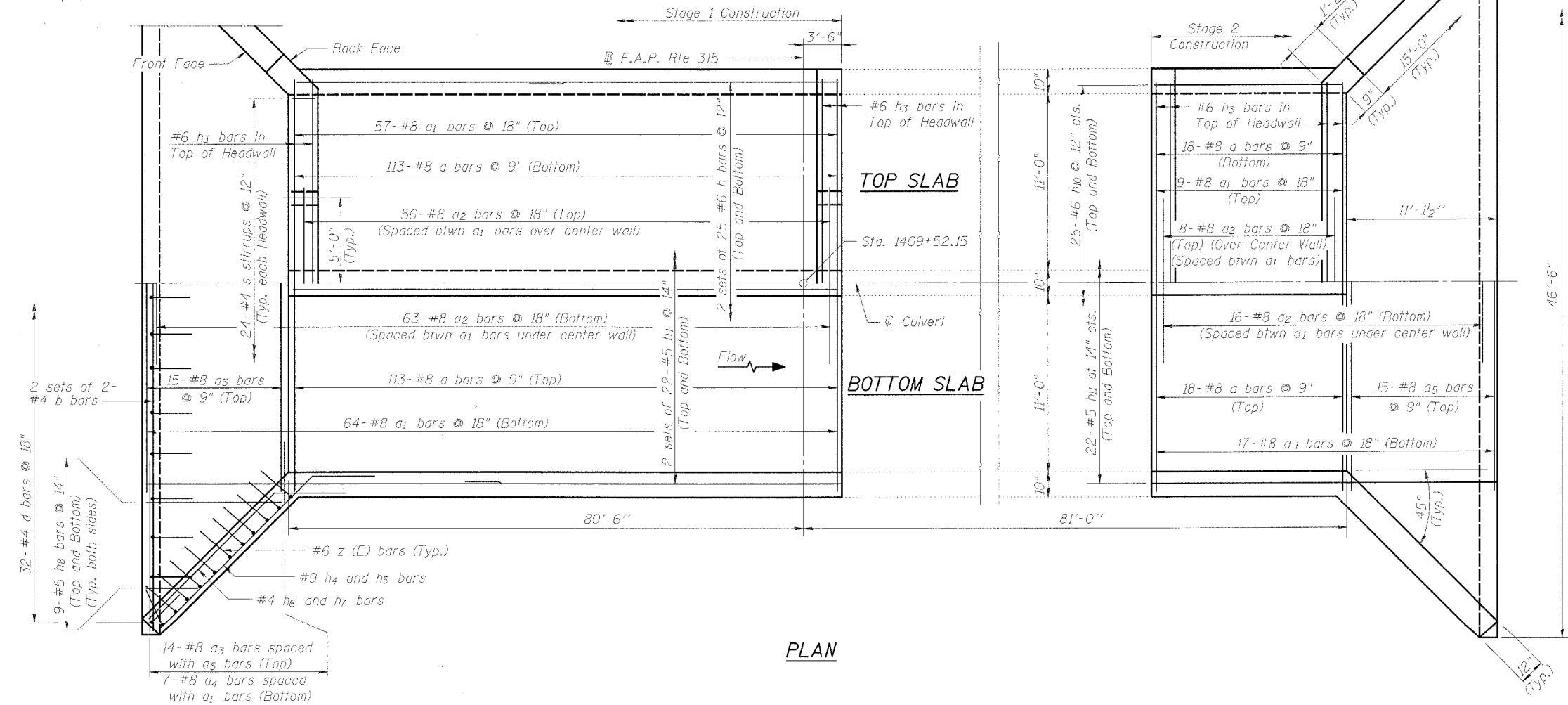
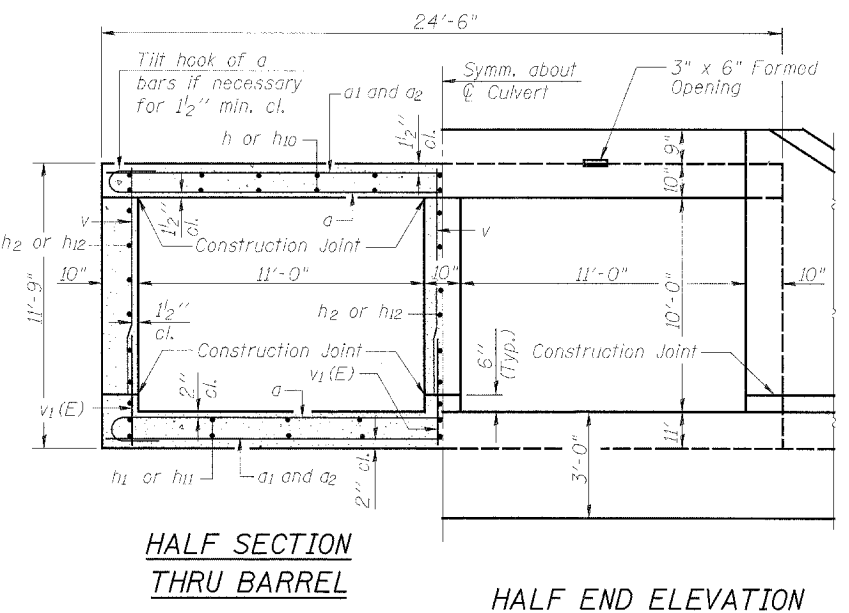
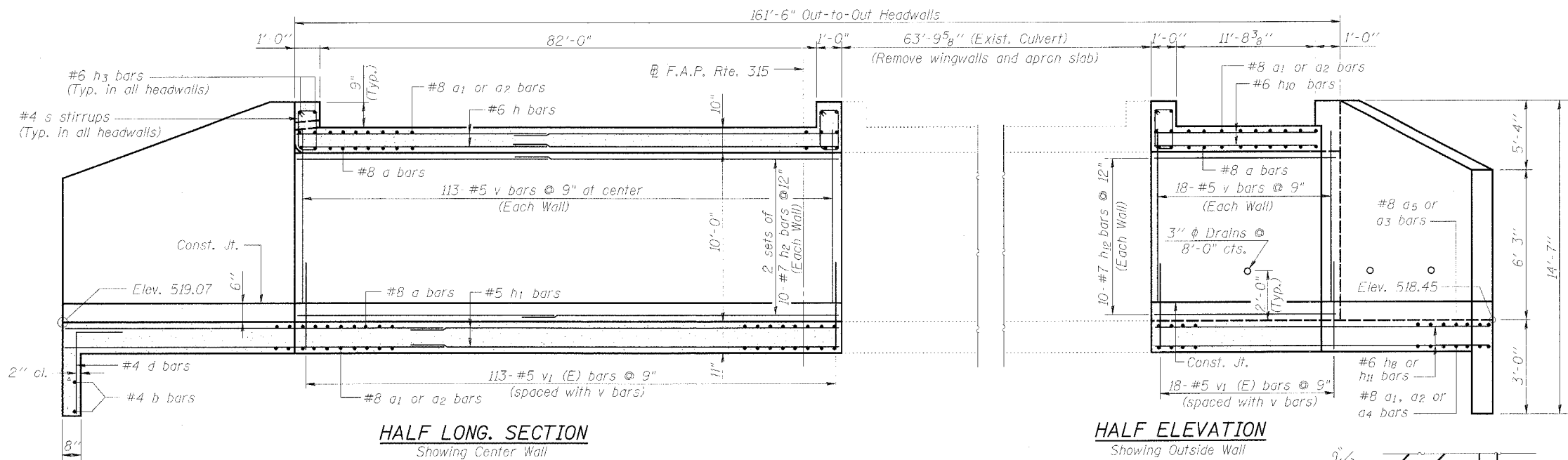


STATE OF ILLINOIS
DEPARTMENT OF TRANSPORTATION

PROJECT NO.	SECTION	COUNTY	TOTAL SHEETS	SHEET NO.
F.A.P. 315	24(B-1)	HANCOCK	433	195

SHEET NO. 3
6 SHEETS

Contract #68206



Notes:

Reinforcement bars designated (E) shall be epoxy coated.

Field cut v and h₂ bars for pipe culvert opening.

See Sheet No. 4 for Bill of Material and bar bending diagrams

REINFORCING PLAN, ELEVATION AND DETAILS
ILLINOIS ROUTE 336 OVER TRIBUTARY
OF THE EAST FORK OF THE LAMOINE RIVER
F.A.P. ROUTE 315 - SECTION 24(B-1)
HANCOCK COUNTY
STA. 1409+52.15
STRUCTURE NO. 034-2007

DESIGNED	RMK
CHECKED	NJM
DRAWN	RMK
CHECKED	NJM