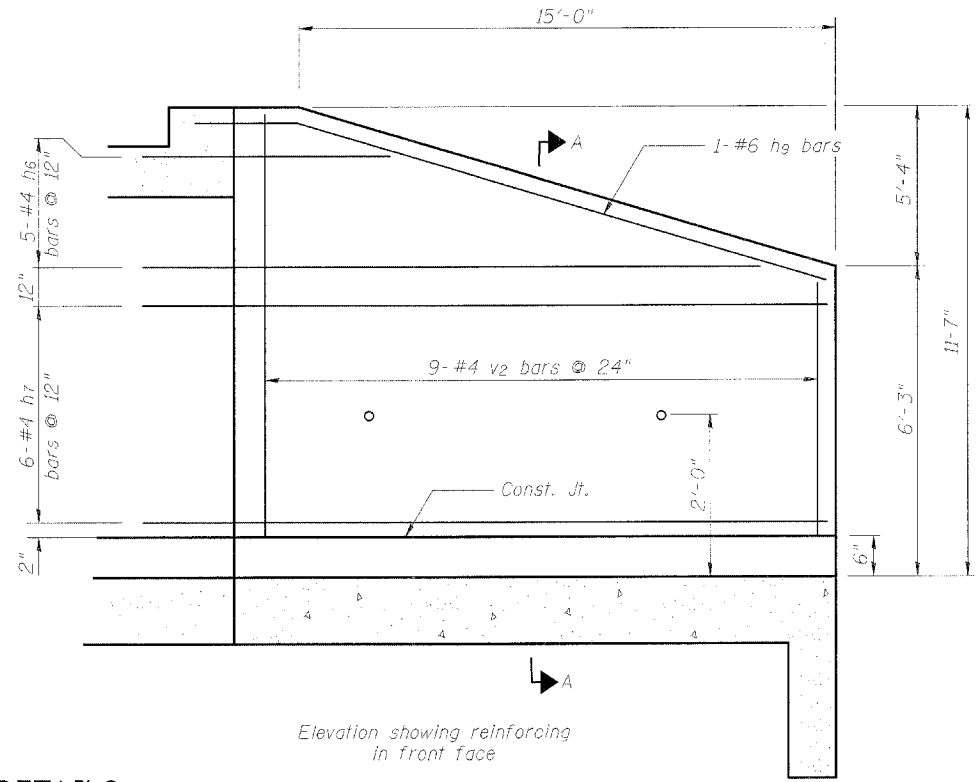
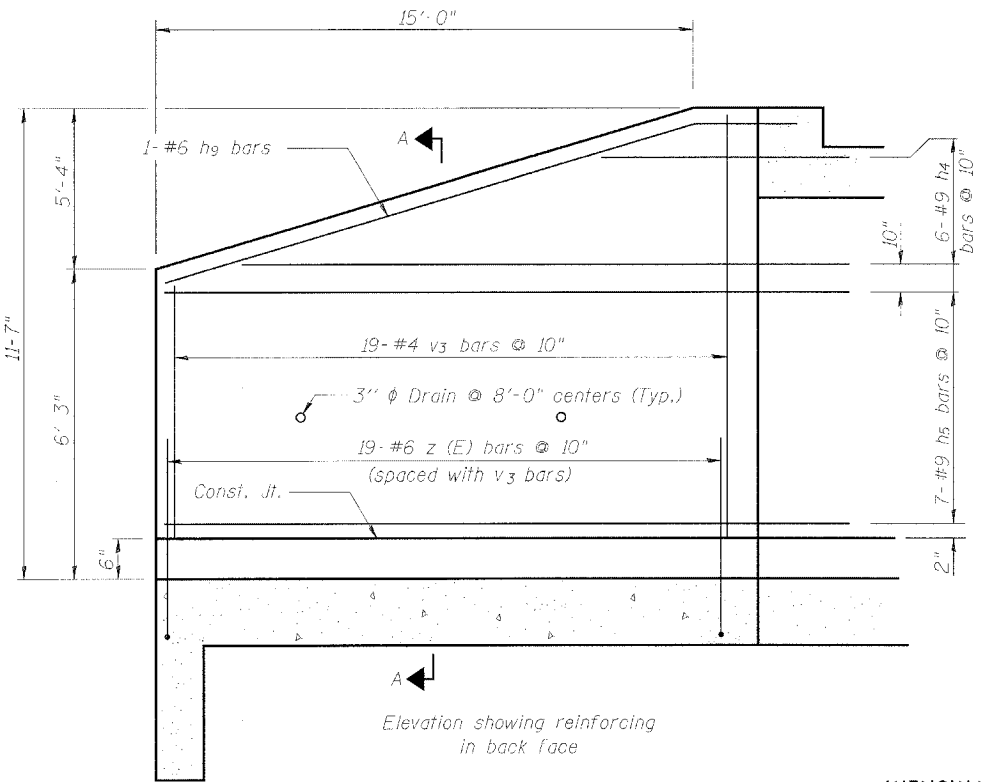


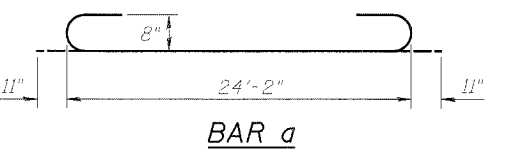
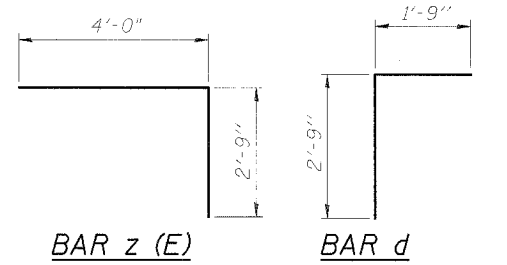
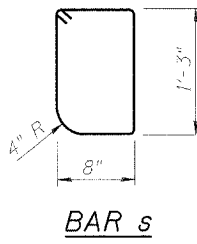
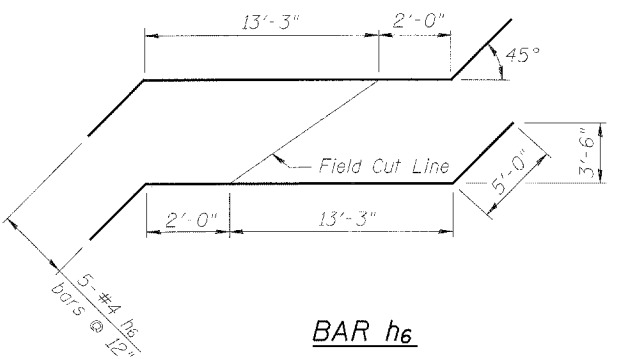
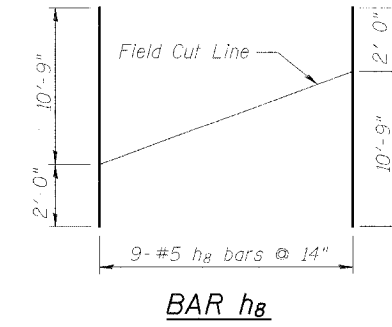
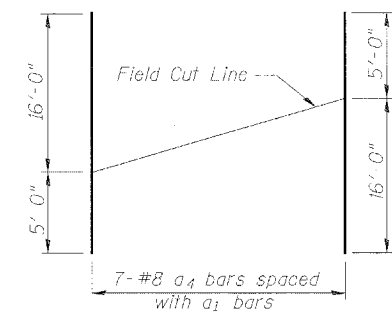
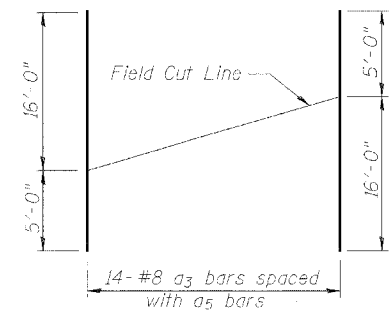
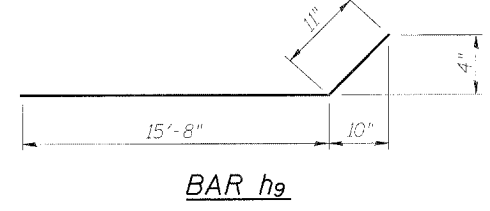
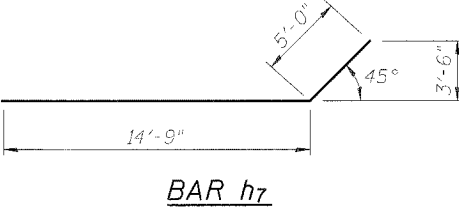
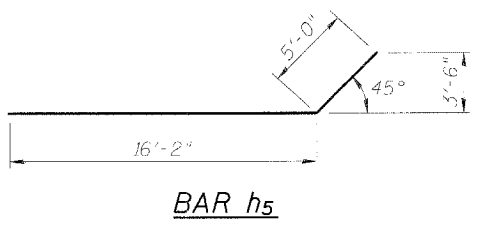
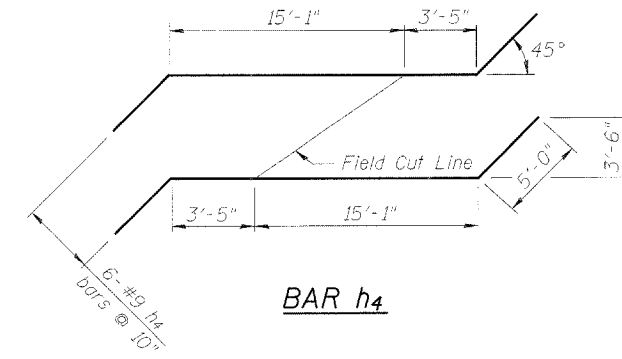
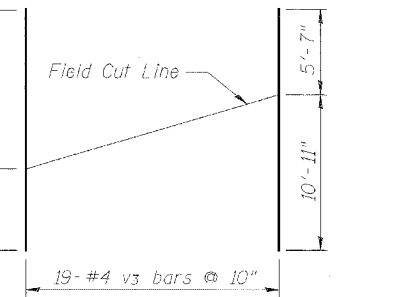
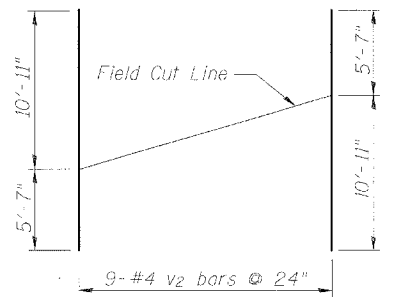
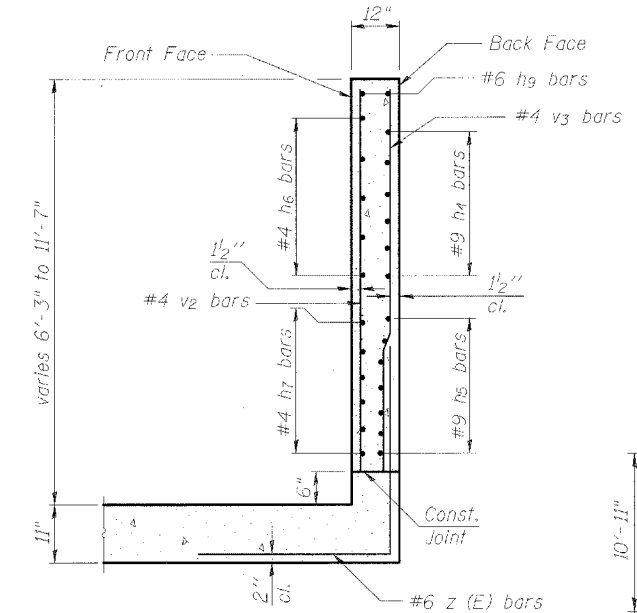
STATE OF ILLINOIS
DEPARTMENT OF TRANSPORTATION

ROUTE NO.	SUBSECTION	COUNTY	TOTAL SHEETS	SHEET NO.	SHEET NO. 4 6 SHEETS
F.A.P. 315	24(B-1)	HANCOCK	433	196	
FED. ROAD DIST. NO. 7		ILLINOIS	FED. AID PROJECT-		

Contract #68206



WINGWALL DETAILS
(Typical All Wingwalls)



BILL OF MATERIAL

Bar	No.	Size	Length	Shape
a	262	#8	26'-0"	U
a1	147	#8	24'-2"	—
a2	143	#8	13'-6"	—
a3	28	#8	21'-0"	—
a4	14	#8	21'-0"	—
a5	30	#8	24'-2"	—
b	8	#4	24'-0"	—
d	64	#4	4'-6"	L
h	100	#6	43'-0"	—
h1	88	#5	48'-3"	—
h2	60	#7	43'-3"	—
h3	8	#6	23'-3"	—
h4	12	#9	28'-6"	—
h5	28	#9	21'-2"	—
h6	10	#4	25'-3"	—
h7	24	#4	19'-9"	—
h8	36	#5	12'-9"	—
h9	8	#6	16'-7"	—
h10	50	#6	13'-4"	—
h11	44	#5	24'-6"	—
h12	30	#7	13'-4"	—
v	393	#5	10'-2"	—
v1 (E)	393	#5	3'-0"	—
v2	18	#4	16'-6"	—
v3	38	#4	16'-6"	—
v4	8	#5	7'-0"	—
s	96	#4	4'-3"	□
z (E)	76	#6	6'-9"	L
Concrete Box Culverts			Cu. Yd.	300.7
Reinforcement Bars, Epoxy Coated			Pound	2,000
Reinforcement Bars			Pound	66,310

DESIGNED	NJM
CHECKED	EML
DRAWN	NJM
CHECKED	E.M.

WINGWALLS AND REINFORCEMENT DETAILS
ILLINOIS ROUTE 336 OVER TRIBUTARY
OF THE EAST FORK OF THE LAMOINE RIVER
F.A.P. ROUTE 315 - SECTION 24(B-1)
HANCOCK COUNTY
STA. 1409+52.15
STRUCTURE NO. 034-2007