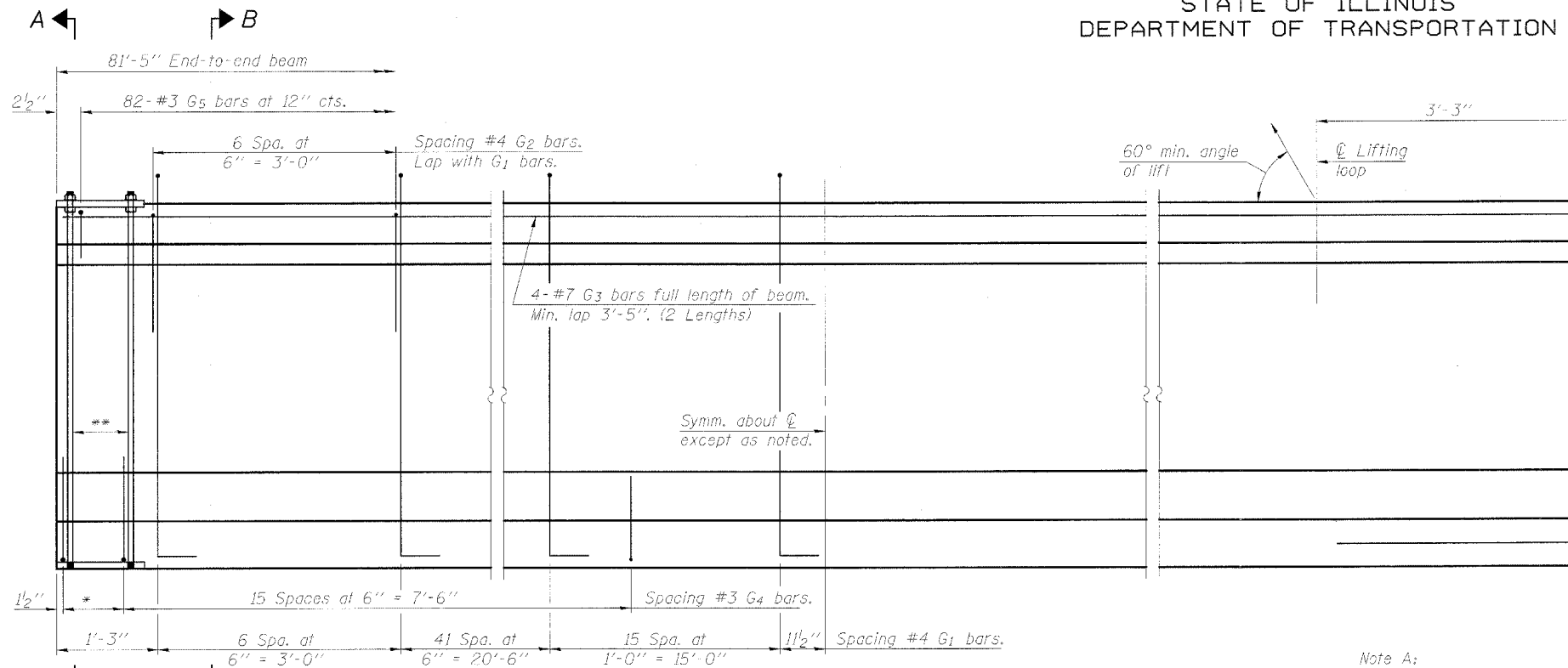


STATE OF ILLINOIS
DEPARTMENT OF TRANSPORTATION

ROUTE NO.	SECTION	COUNTY	TOTAL SHEETS	SHEET NO.	SHEET NO. 16 36 SHEETS
F.A.P. 315	54-6, 55-1	HANCOCK	433	214	
FED. ROAD DIST. NO. 7	ILLINOIS	FED. AID PROJECT			

Contract #68206



ELEVATION OF BEAM
(Showing reinforcement & dimensions)

* 3 spaces at 3" = 9".
** 4-3/4" ϕ threaded dowel rods at 3" cts., each face.

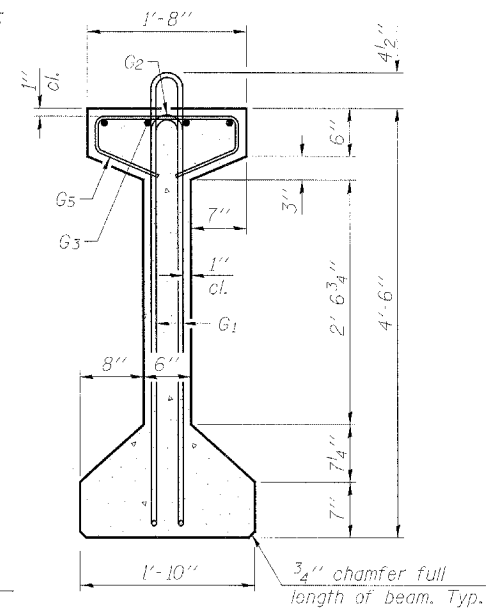
Note A:
Hex nuts (top and bottom) with lock washers (top). Only tighten sufficiently to compress lock washers.

2-#8 G6 bars at pier only. (See sheet 17 of 36 for details).

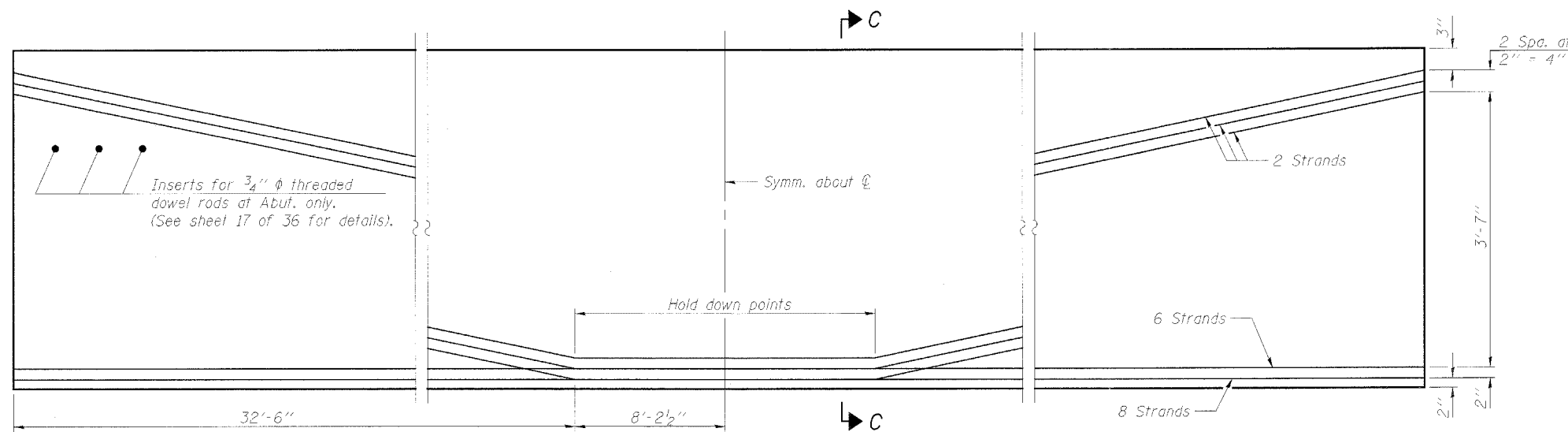
1" x 1'-5" x 1'-10" (Bevel to match chamfer).

3/4" ϕ x 4" Studs automatically end welded. (Space to miss strands).

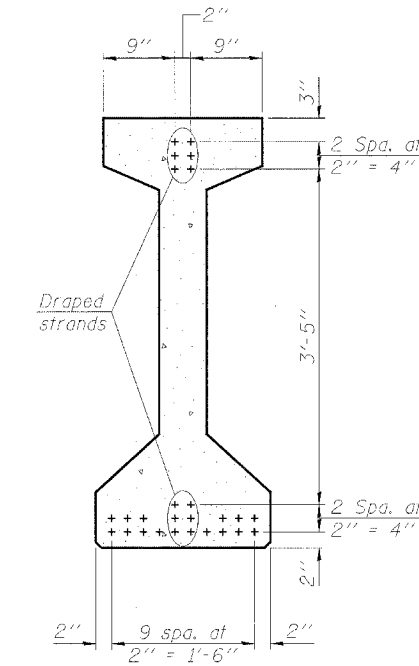
SECTION A-A



SECTION B-B



ELEVATION OF BEAM
(Showing prestressing steel)



SECTION C-C

**BAR LIST
ONE BEAM ONLY**

Bar	No.	Size	Length	Shape
G ₁	126	#4	10'-5"	∩
G ₂	14	#4	5'-4"	∩
G ₃	8	#7	42'-4"	—
G ₄	38	#3	4'-11"	—
G ₅	82	#3	3'-5"	∩
G ₆	2	#8	3'-9"	U

Notes:
See sheet 17 of 36 for additional details and Bill of Material.
Required release strength, f'_{ci} , shall be 6,000 psi.

DESIGNED	KLH
CHECKED	EML
DRAWN	KBF/EML
CHECKED	KLH

HORNER & SHIFRIN, INC.
ENGINEERS ■ ARCHITECTS ■ PLANNERS

PI-4-54

7-15-05

54" PPC I-BEAM, SPAN 3
ILLINOIS ROUTE 336 OVER
EAST FORK OF THE LAMOINE RIVER
F.A.P. ROUTE 315 - SECTION 34-6, 55-1
HANCOCK COUNTY; STA. 1432+02.61
STRUCTURE NO. 034-0511 (E.B.)
STRUCTURE NO. 034-0512 (W.B.)