

STATE OF ILLINOIS
DEPARTMENT OF TRANSPORTATION

ROUTE NO.	SECTION	COUNTY	SHEETS	SHEET NO.
F.A.P. 315	34-6, 55-1	HANCOCK	433	220
FED. ROAD DIST. NO. 7	F.A. ENDIS	FED. AID PROJECT		

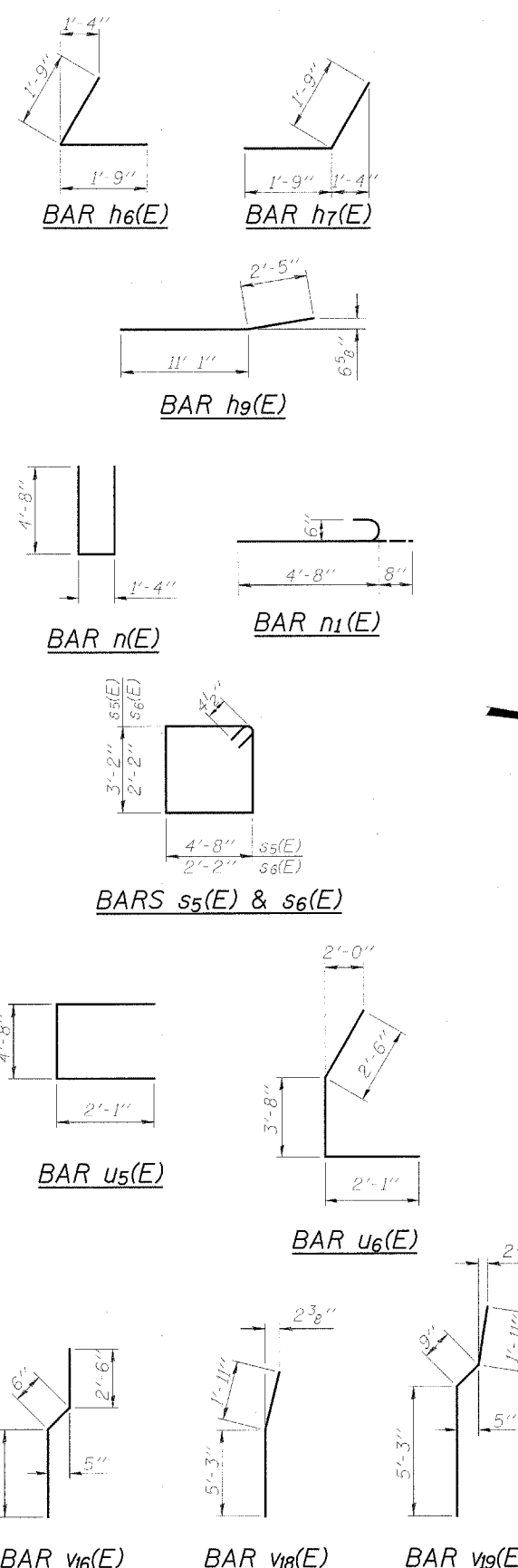
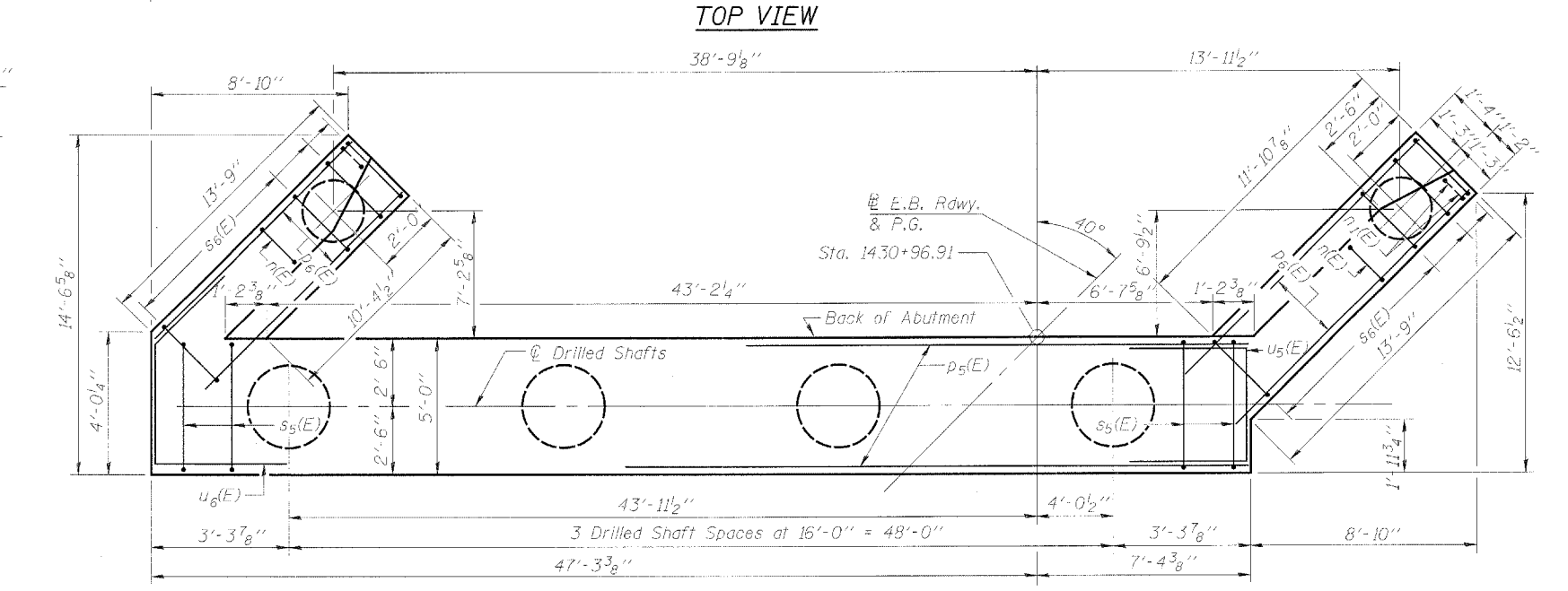
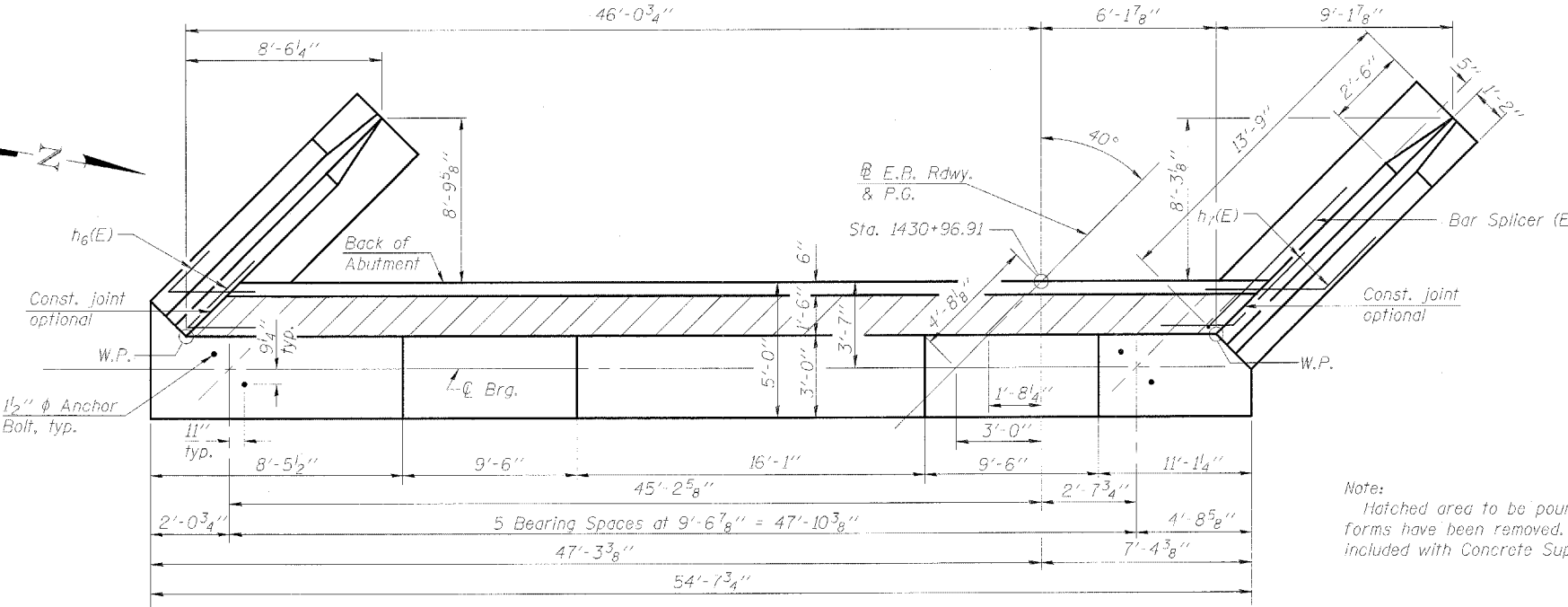
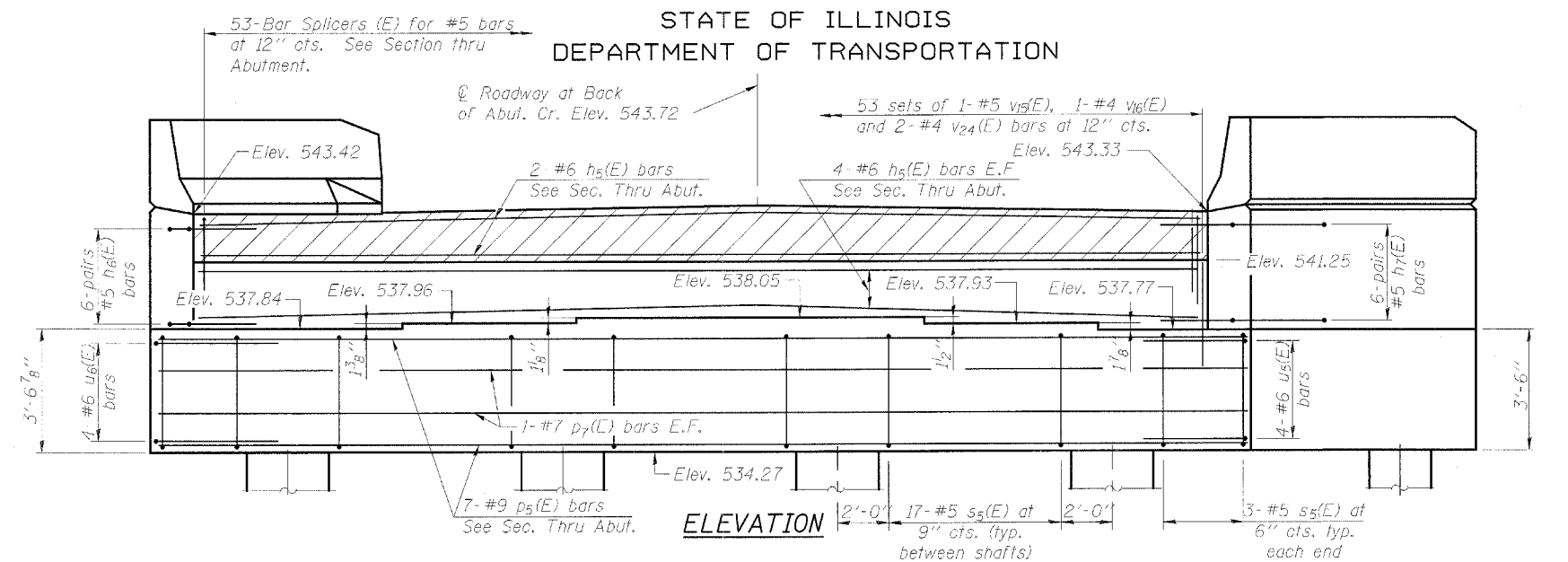
Contract #68206

ABUTMENT
BILL OF MATERIAL

Bar	No.	Size	Length	Shape
$h_5(E)$	12	#6	52'-0"	
$h_6(E)$	12	#5	3'-6"	
$h_7(E)$	12	#5	3'-6"	
$h_8(E)$	24	#4	13'-5"	
$h_9(E)$	16	#4	13'-6"	
$n(E)$	24	#6	10'-8"	
$n_1(E)$	12	#6	5'-4"	
$n_2(E)$	76	#10	7'-0"	
$n_3(E)$	12	#8	5'-0"	
$p_5(E)$	14	#9	54'-4"	
$p_6(E)$	12	#7	13'-6"	
$p_7(E)$	4	#7	54'-4"	
$s_5(E)$	57	#5	16'-5"	
$s_6(E)$	28	#4	9'-5"	
* sp_{12}	2	#4	18'-9"	MMMM
* sp_{13}	4	#4	27'-3"	MMMM
$u_5(E)$	4	#6	8'-10"	
$u_6(E)$	4	#6	8'-3"	
$v_{15}(E)$	53	#5	3'-2"	
$v_{16}(E)$	53	#4	4'-4"	
$v_{17}(E)$	28	#6	8'-2"	
$v_{18}(E)$	6	#6	7'-2"	
$v_{19}(E)$	24	#6	7'-11"	
v_{22}	76	#10	27'-0"	
v_{23}	12	#8	18'-4"	
$v_{24}(E)$	106	#4	5'-6"	
Structure Excavation		Cu. Yd.	108	
Drilled Shaft in Soil 42" Dia.		Foot	55	
Drilled Shaft in Rock 36" Dia.		Foot	54	
Drilled Shaft in Soil 24" Dia.		Foot	28	
Drilled Shaft in Rock 18" Dia.		Foot	10	
Concrete Structures		Cu. Yd.	74.5	
Reinforcement Bars, Epoxy Coated		Pound	10340	
Reinforcement Bars		Pound	10910	
Bar Splicer (E)		Each	53	

Reinforcement Bars designated (E) shall be epoxy coated.
For details of Bar Splicers, see sheet 31 of 36.
Space reinforcement to miss anchor bolts.
* Length is height of spiral.
Cast steps monolithically with cap.

WEST ABUTMENT DETAILS - E.B. STRUCTURE
ILLINOIS ROUTE 336 OVER
EAST FORK OF THE LAMOINE RIVER
F.A.P. ROUTE 315 - SECTION 34-6, 55-1
HANCOCK COUNTY; STA. 1432+02.61
STRUCTURE NO. 034-0511 (E.B.)
STRUCTURE NO. 034-0512 (W.B.)



DESIGNED	KLH
CHECKED	EML
DRAWN	JGC
CHECKED	KLH

HORNER & SHIFRIN, INC.
ENGINEERS ARCHITECTS PLANNERS