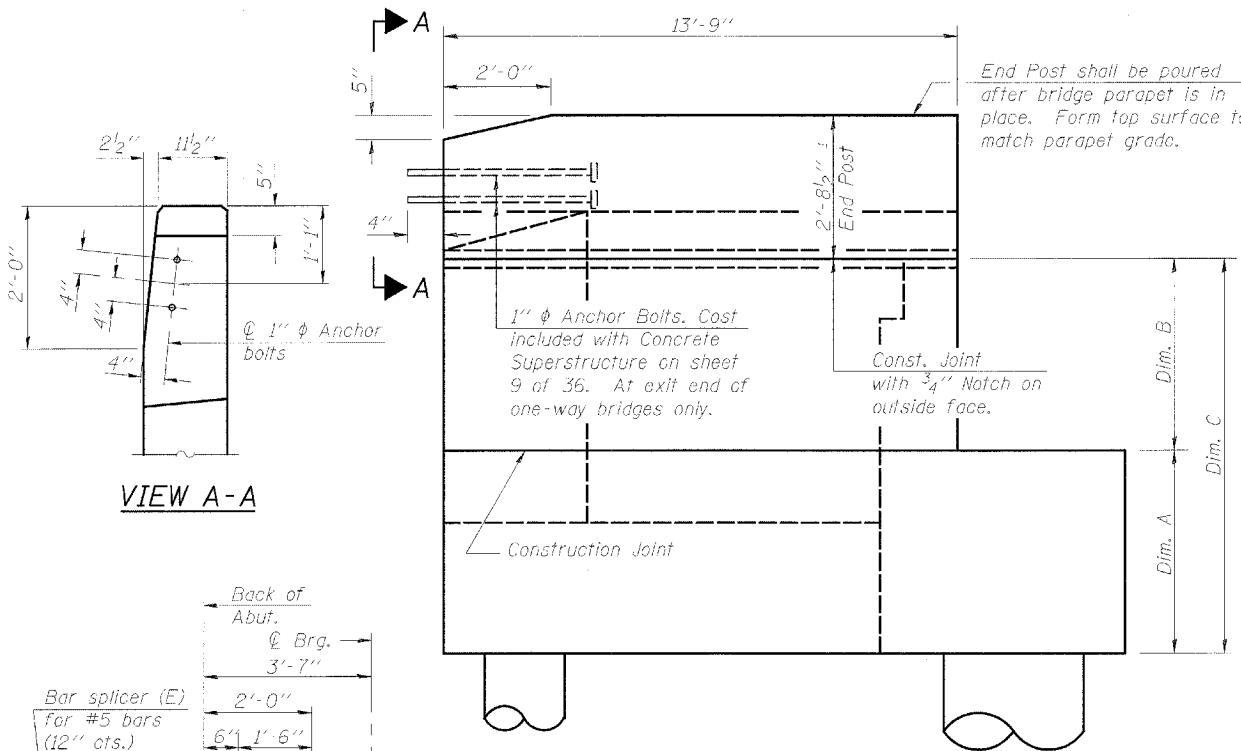


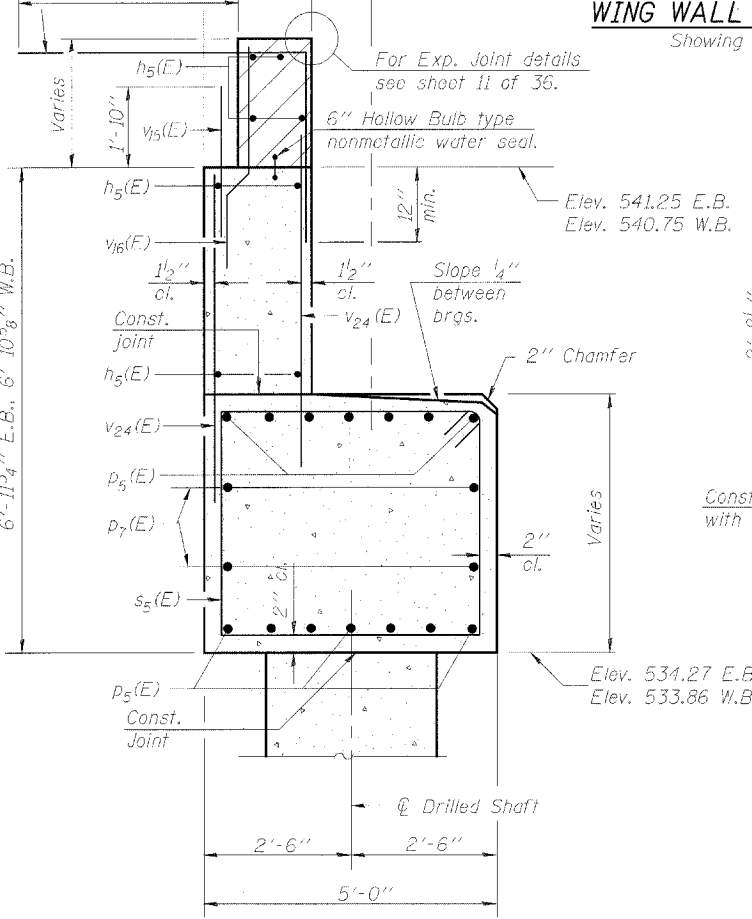
STATE OF ILLINOIS
DEPARTMENT OF TRANSPORTATION

ROUTE NO.	SECTION	COUNTY	STATION	SHEET NO.	SHEET NO. 23
F.A.P. 315	34-6, 55-1	HANCOCK	4.33	221	36 SHEETS
FED. ROAD DIST. NO. 7	ILL. BRIDGE	FED. AID PROJECT			

Contract #68206



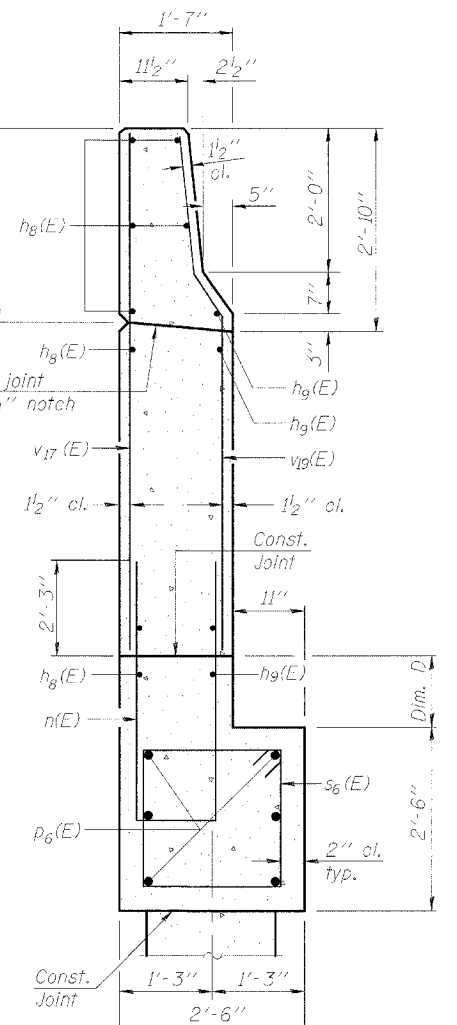
WING WALL ELEVATION
Showing Dimensions



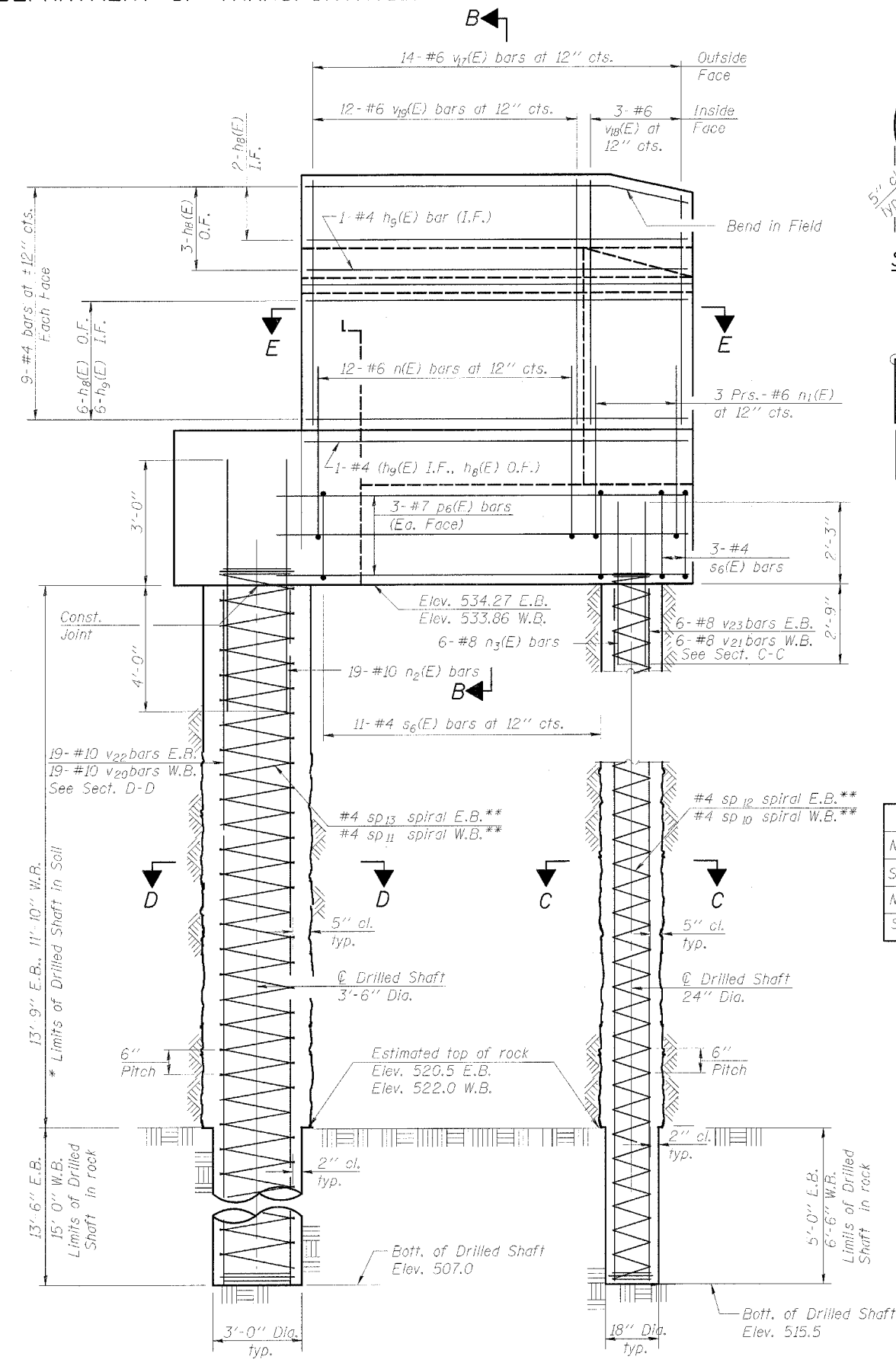
SECTION THRU ABUTMENT

DESIGNED	KLH
CHECKED	EML
DRAWN	JGC
CHECKED	KLH

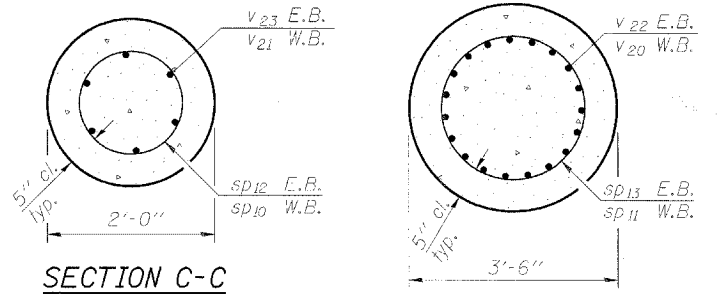
HORNER & SHIFRIN, INC.
ENGINEERS ■ ARCHITECTS ■ PLANNERS



SECTION B-B

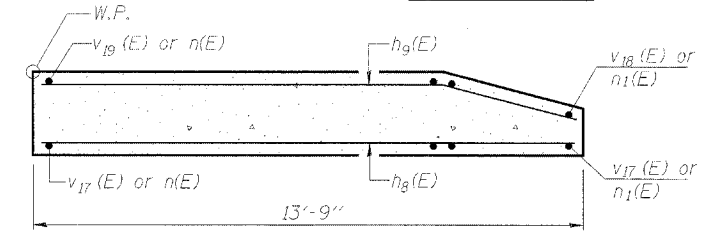


WING WALL & DRILLED SHAFT ELEVATION
Showing Reinforcement

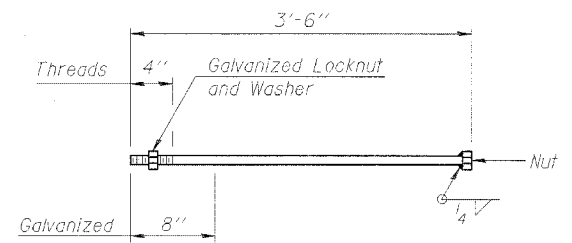


SECTION C-C

SECTION D-D



SECTION E-E



1" ANCHOR BOLT
WING WALL DATA

	Dim. A	Dim. B	Dim. C	Dim. D
North Wing Wall W.B.	3'-6"	5'-6 ³ / ₄ "	9'-0 ³ / ₄ "	1'-0"
South Wing Wall W.B.	3'-8 ⁷ / ₈ "	5'-6 ⁷ / ₈ "	9'-3 ³ / ₄ "	1'-2 ⁷ / ₈ "
North Wing Wall E.B.	3'-6"	5'-6 ³ / ₄ "	9'-0 ³ / ₄ "	1'-0"
South Wing Wall E.B.	3'-6 ⁷ / ₈ "	5'-7"	9'-1 ⁷ / ₈ "	1'-0 ⁷ / ₈ "

Notes:
* The quantities and detailing are based on the estimated elevations shown on the plans. The actual elevations may differ at each shaft and corresponding adjustments shall be made to the drilled shaft and reinforcement quantities and payment limits.
Reinforcement bars designated (E) shall be epoxy coated. Quantity of concrete in end post included with Concrete Superstructure on sheet 9 of 36.
** Provide 1/2 extra turns top and bottom of each drilled shaft. Extend spiral 2" into abutment or wingwall cap. Provide min. 4-#4 spacers or equivalent. Min. lap for spirals = 3'-0".

WEST ABUTMENT DETAILS
ILLINOIS ROUTE 336 OVER
EAST FORK OF THE LAMOINE RIVER
F.A.P. ROUTE 315 - SECTION 34-6, 55-1
HANCOCK COUNTY; STA. 1432+02.61
STRUCTURE NO. 034-0511 (E.B.)
STRUCTURE NO. 034-0512 (W.B.)