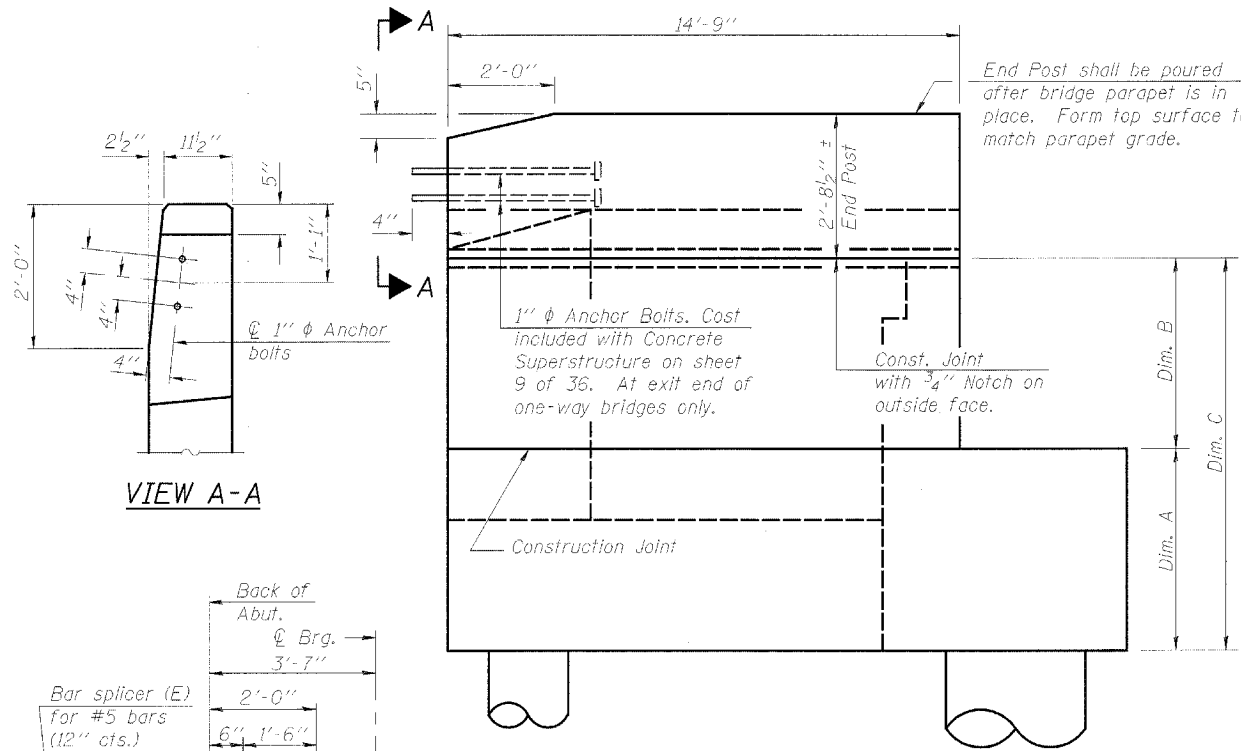


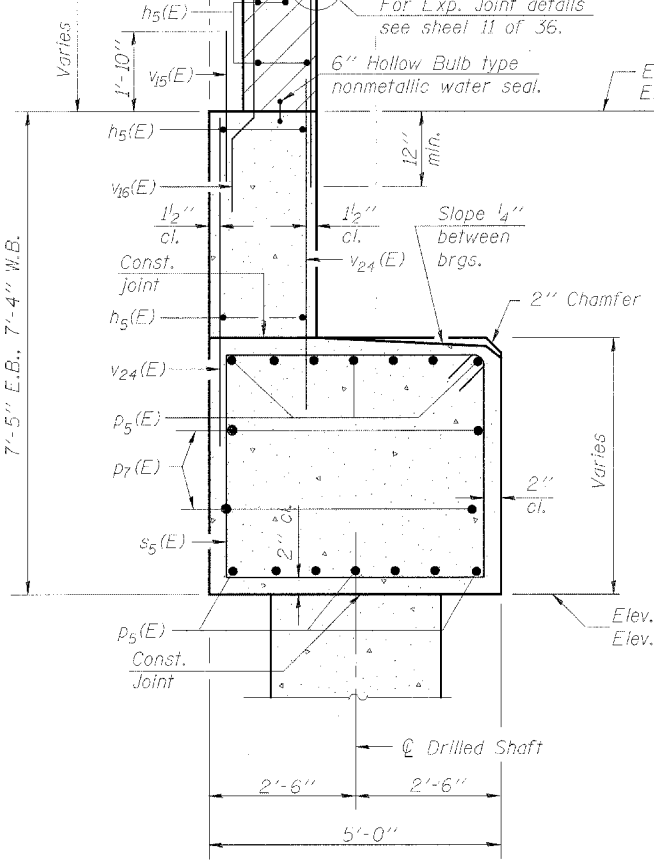
STATE OF ILLINOIS  
DEPARTMENT OF TRANSPORTATION

ROUTE NO.	SECTION	COUNTY	TOTAL SHEETS	SHEET NO.	SHEET NO. 26 36 SHEETS
F.A.P. 315	34-6, 55-1	HANCOCK	433	224	
FED. ROAD DIST. NO. 7		ILLINOIS	FED. AID PROJECT		

Contract #68206

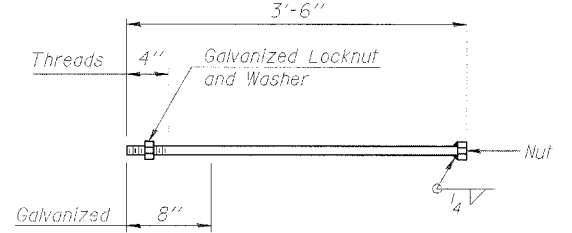
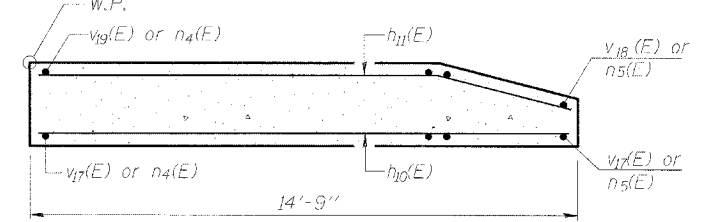
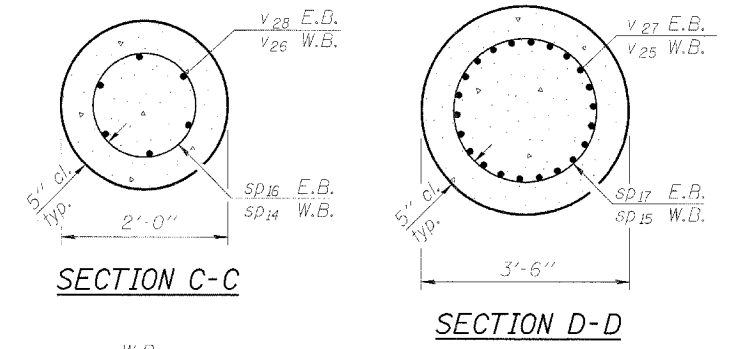
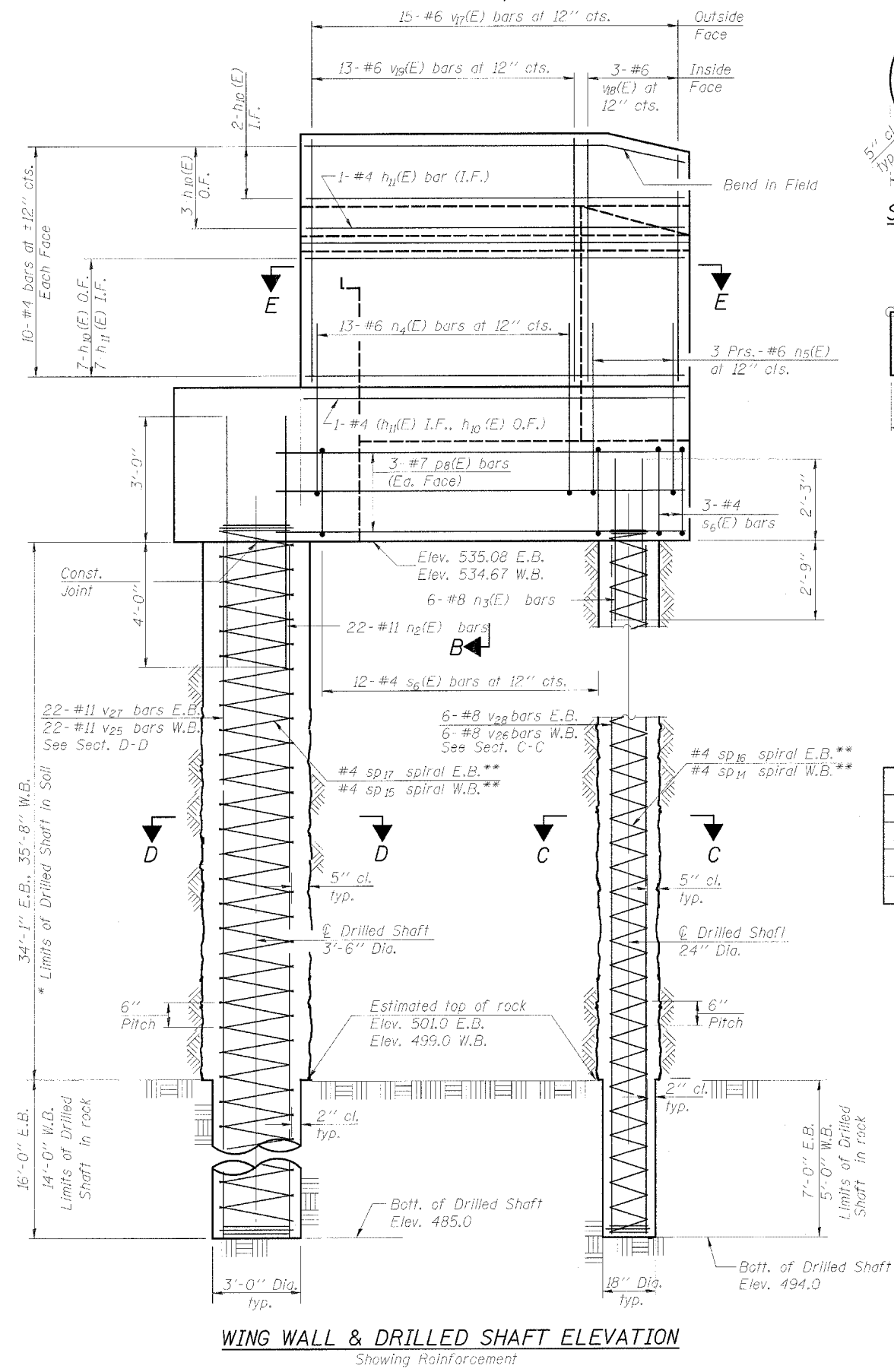
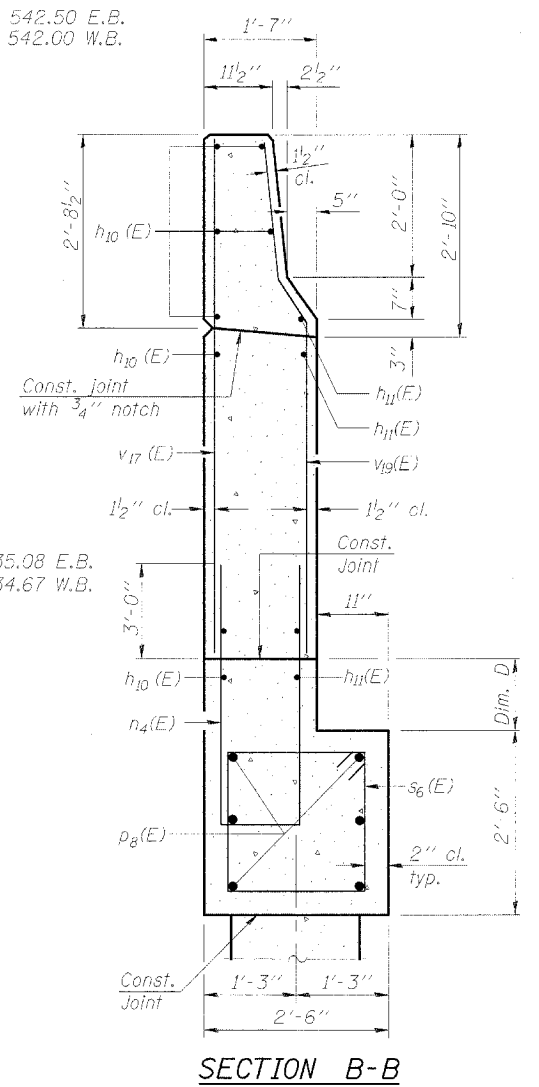


WING WALL ELEVATION  
Showing Dimensions



DESIGNED	KLH
CHECKED	EMI
DRAWN	JGC
CHECKED	KLH

**HORNER & SHIFRIN, INC.**  
ENGINEERS ■ ARCHITECTS ■ PLANNERS



WING WALL DATA

	Dim. A	Dim. B	Dim. C	Dim. D
North Wing Wall W.B.	3'-6"	6'-0 1/8"	9'-6 1/8"	1'-0"
South Wing Wall W.B.	3'-8 3/4"	6'-0 3/8"	9'-9 1/8"	1'-2 3/4"
North Wing Wall E.B.	3'-6"	6'-0"	9'-6"	1'-0"
South Wing Wall E.B.	3'-6 7/8"	6'-0 1/4"	9'-7 1/8"	1'-0 7/8"

Notes:  
\* The quantities and detailing are based on the estimated elevations shown on the plans. The actual elevations may differ at each shaft and corresponding adjustments shall be made to the drilled shaft and reinforcement quantities and payment limits.  
Reinforcement bars designated (E) shall be epoxy coated. Quantity of concrete in end post included with Concrete Superstructure on sheet 9 of 36.  
\*\* Provide 1/2 extra turns top and bottom of each drilled shaft. Extend spiral 2" into abutment or wingwall cap. Provide min. 4-#4 spacers or equivalent. Min. lap for spirals = 3'-0".

**EAST ABUTMENT DETAILS**  
ILLINOIS ROUTE 336 OVER  
EAST FORK OF THE LAMOINE RIVER  
F.A.P. ROUTE 315 - SECTION 34-6, 55-1  
HANCOCK COUNTY; STA. 1432+02.61  
STRUCTURE NO. 034-0511 (E.B.)  
STRUCTURE NO. 034-0512 (W.B.)