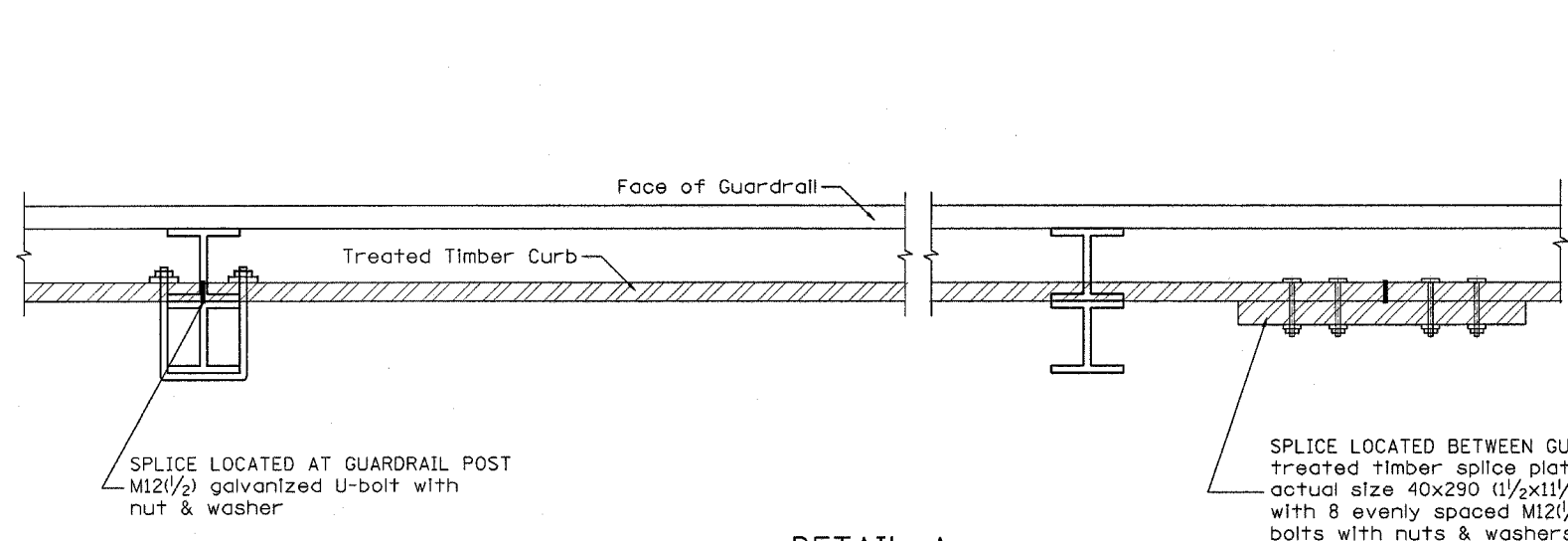
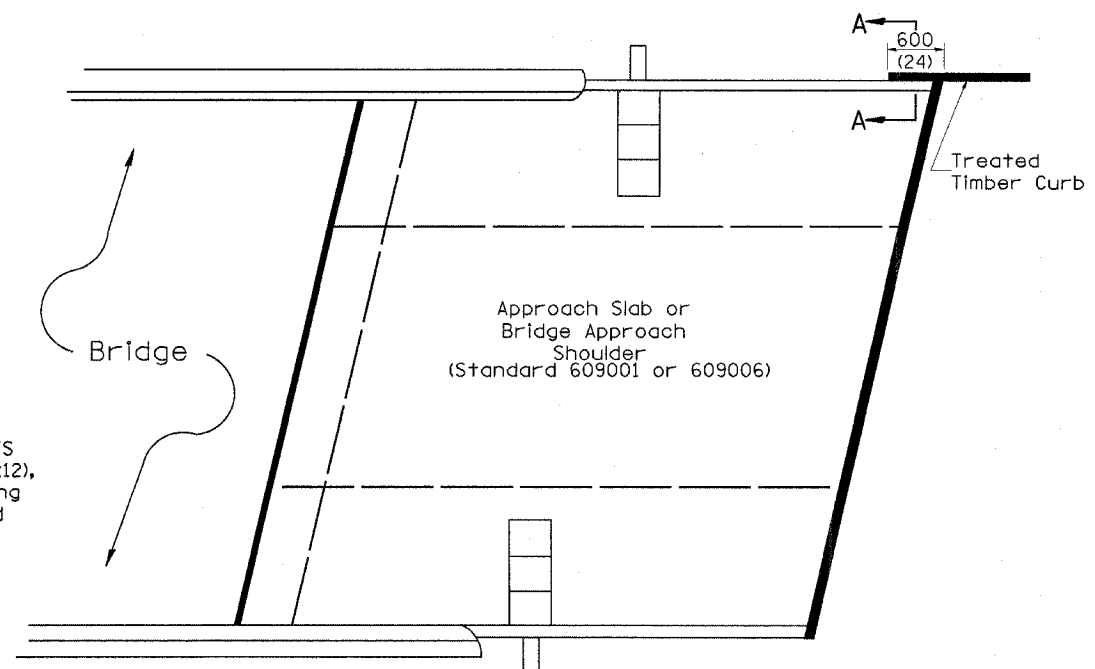


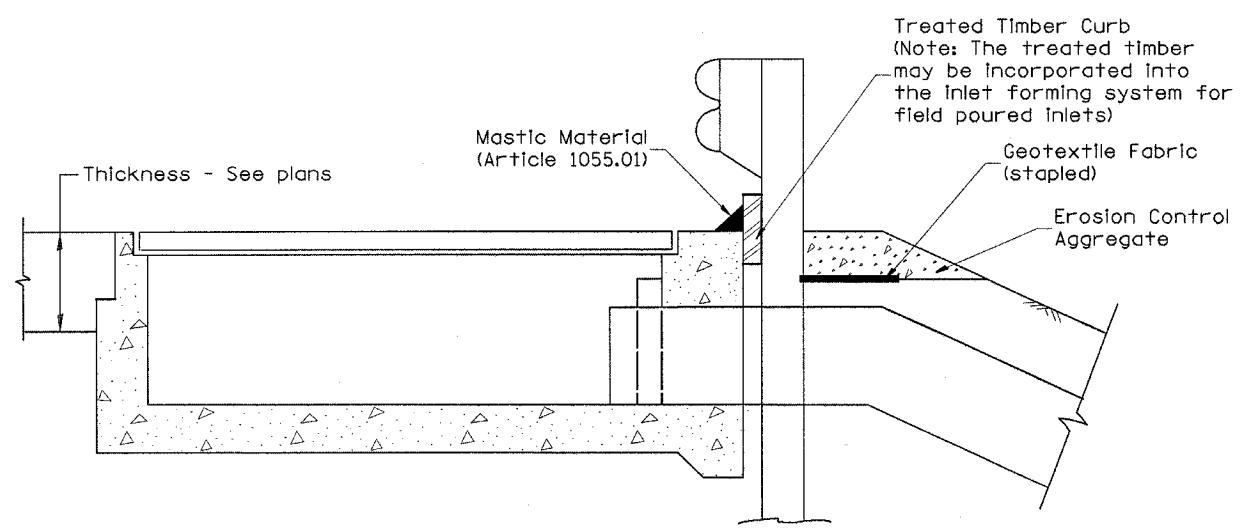
F.A.P. RTE.	SECTION	COUNTY	TOTAL SHEETS	SHEET NO.
315	(34-6,55-1)	HANCOCK/McDONOUGH	433	276
STA.		TO STA.		
FED. ROAD DIST. NO.	ILLINOIS	FED. AID PROJECT		
STATE CONTRACT NO. 68206				



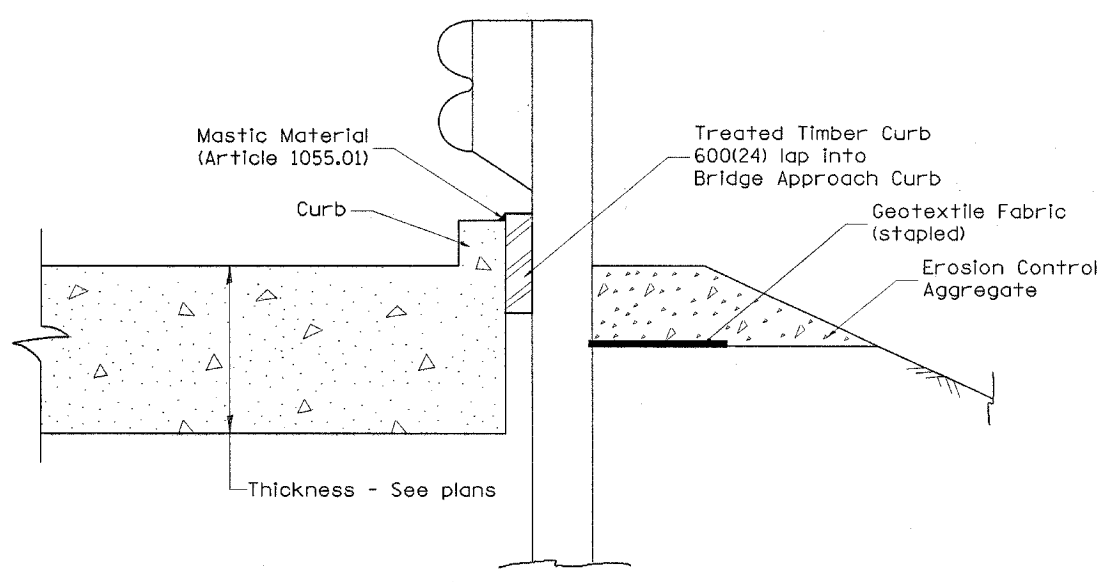
DETAIL A
(Typical Treated Timber Splices)



PLAN VIEW
APPROACH SLAB OR BRIDGE APPROACH SHOULDER
(STANDARD 609001 or 609006)



TYPICAL SECTION WITH EROSION CONTROL CURB
AT INLETS TYPE E & F (STANDARD 610001)



SECTION A-A
TYPICAL SECTION WITH EROSION CONTROL CURB
AT BRIDGE APPROACH CURB
(STANDARD 609001 OR 609006)

All dimensions are in millimeters (Inches) unless otherwise noted.

ILLINOIS DEPARTMENT OF TRANSPORTATION	
DISTRICT CADD STANDARD	
GUARDRAIL EROSION CONTROL TREATMENTS	
CADD STD NO. 630101-D4(2)	SHEET 2 OF 2
SCALE: NOT DRAWN TO SCALE	DRAWN BY CADD
DATE 7/18/2006	CHECKED BY

7/18/2006