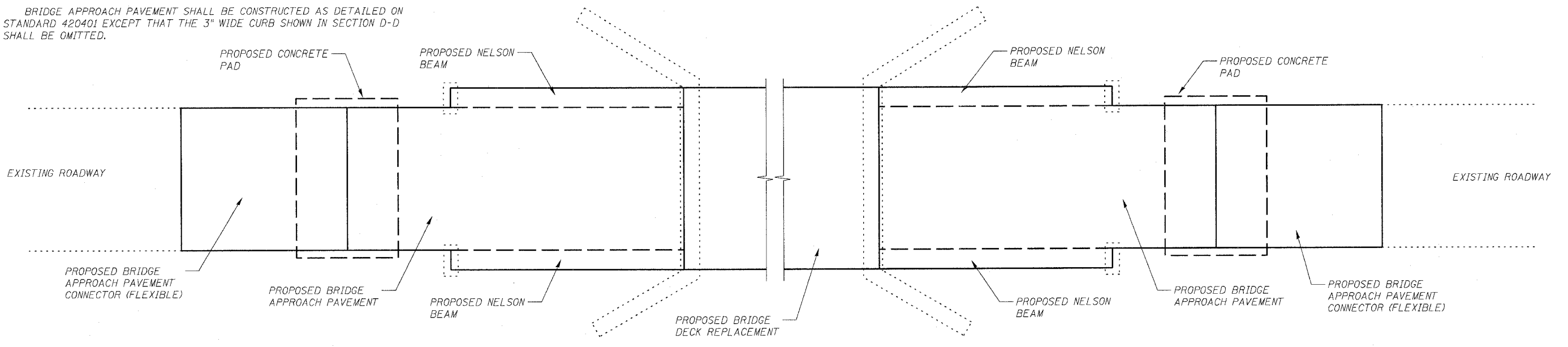


NOTES:  
 FULL-DEPTH SAW CUTS ARE REQUIRED FOR ALL REMOVAL ITEMS AND THAT THE COST FOR SUCH IS INCLUDED IN THE REMOVAL ITEM.

'ROAD CONSTRUCTION AHEAD' SIGNS ARE REQUIRED ON ALL INTERSECTING ROADS AND HIGHWAYS. THE COST FOR SUCH IS INCLUDED IN THE APPLICABLE TRAFFIC CONTROL PAY ITEM.

BRIDGE APPROACH PAVEMENT SHALL BE CONSTRUCTED AS DETAILED ON STANDARD 420401 EXCEPT THAT THE 3" WIDE CURB SHOWN IN SECTION D-D SHALL BE OMITTED.

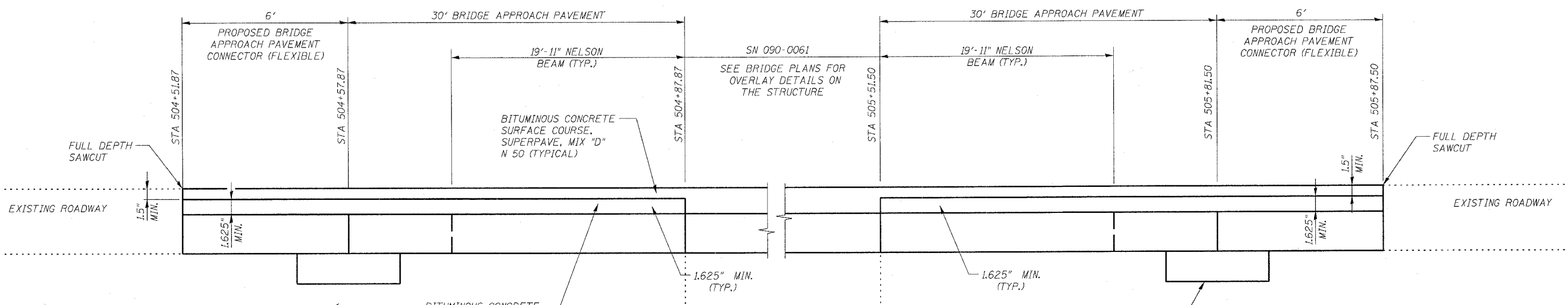
PROJECT NO.	SECTION	COUNTY	TOTAL SHEETS	SHEET NO.
693	(119B-3)I	TAZEWELL	31	6
STA.		TO STA.		
EXISTING CONDITIONS:				
CONTRACT NO. 68415				



PLAN

LOCATION	WIDTH	SQ. YD.
STA. 504+57.87 TO STA. 504+87.87	34'	113
STA. 505+51.50 TO STA. 505+81.50	34'	113'

LOCATION	WIDTH	SQ. YD.
STA. 504+51.87 TO STA. 504+57.87	26'	17
STA. 505+81.50 TO STA. 505+87.50	26'	17



SECTION

REVISIONS	NAME	DATE

ILLINOIS DEPARTMENT OF TRANSPORTATION  
 BRIDGE APPROACH RESURFACING  
 DETAIL (TAPER/BUTT JOINT)  
 F.A.P. RTE. 693  
 SECTION (119B-3)I  
 TAZEWELL COUNTY

SCALE: NONE  
 DATE: 03/24/2006

DRAWN BY: KBF  
 CHECKED BY: AJE

PLOT DATE: \*DATE-TIME\*