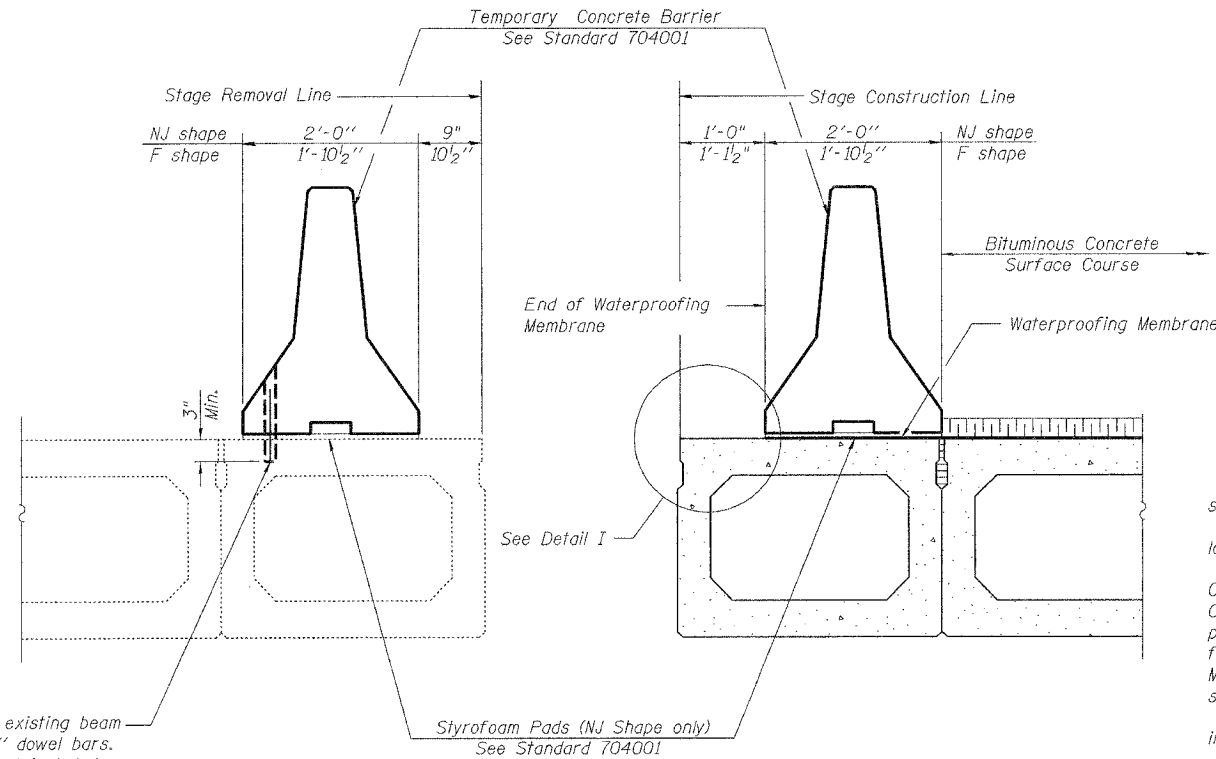


STATE OF ILLINOIS  
DEPARTMENT OF TRANSPORTATION

ROUTE NO.	SECTION	COUNTY	SHEET NO.	SHEET	SHEET NO. 3
F.A.P. 693	(119B-3)I	TAZEWELL	31	12	14 SHEETS
FED. ROAD DIST. NO. 7	ILLINOIS	FED. AID PROJECT			

Contract #68415

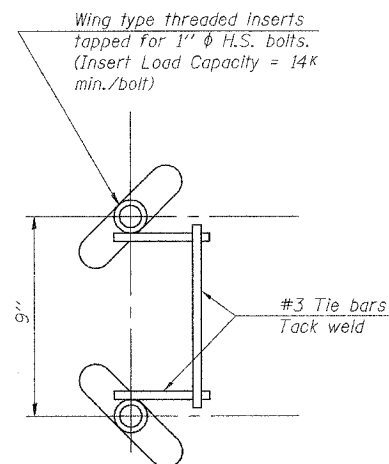


Drill 1/4"  $\phi$  Holes in existing beam for 1"  $\phi$  x 10" dowel bars. Traffic side only. Cost included with Temporary Concrete Barrier.

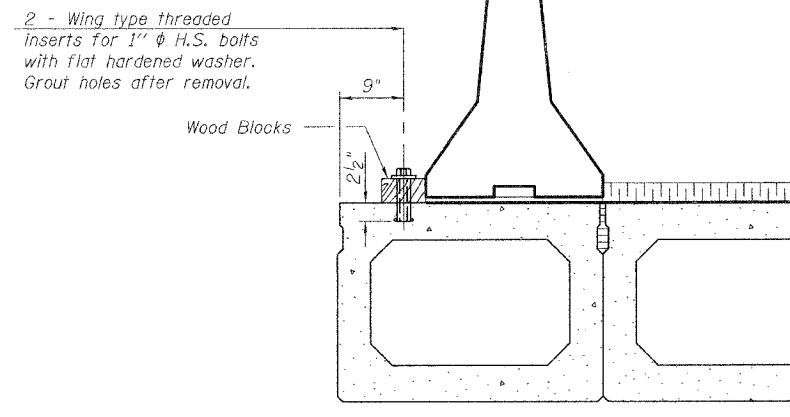
EXISTING PPC DECK BEAMS

NEW PPC DECK BEAMS

SECTIONS THRU PPC DECK BEAMS



INSERT DETAIL

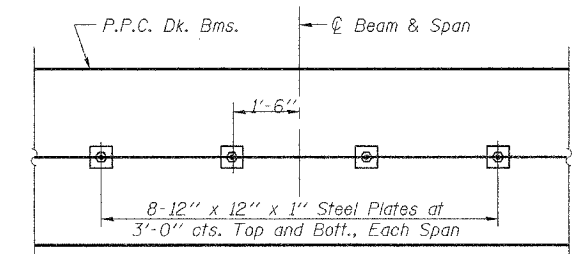


DETAIL I

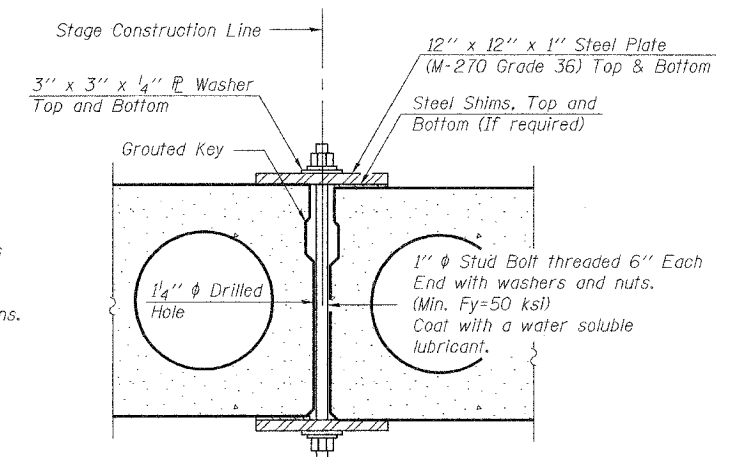
The Temporary Concrete Barrier and wood blocks shall not be removed until Stage II Construction PPC Deck Beams have been placed and shear keys grouted.

NOTES

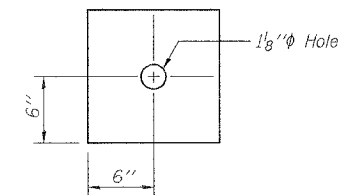
The 1"  $\phi$  high strength bolts used to connect the wood blocks shall be tightened to a snug fit without crushing the wood block. The wing type threaded insert assembly shall be spaced 6'-0" longitudinally.  
The Waterproofing Membrane shall extend under the Temporary Concrete Barrier without the asphalt sand seal protection layer. Once the Temporary Concrete Barrier has been removed, and the penetrating primer, coal tar emulsion, coal tar emulsion and fiberglass fabric, and coal tar emulsion slurry layers of the Waterproofing Membrane is lapped 6", the asphalt sand seal protection layer shall be applied according to Article 581 of the Standard Specifications.  
The cost for H.S. bolts, flat headed washers, and wood block is included with Temporary Concrete Barrier.  
The cost for wing type threaded inserts is included with Precast Prestressed Concrete Deck Beams (27" Depth).



PLAN



SECTION



CLAMPING PLATE

SHEAR KEY CLAMPING DETAILS AT STAGE CONST. JT.

Cost included with Precast Prestressed Concrete Deck Beams (27" Depth). See Stage Construction Details for traffic lanes. See Article 504.06 (d) of the Standard Specifications For Stage Construction of Precast Prestressed Concrete Deck Beams.

TEMPORARY CONCRETE BARRIER AND  
STAGE CONSTRUCTION DETAILS  
ILLINOIS ROUTE 9 OVER  
PRAIRIE CREEK  
F.A.P. ROUTE 693 SECTION (119B-3)I  
TAZEWELL COUNTY  
SN 090-0061

DESIGNED BWP	THOUVENOT, WADE & MOERCHEN, INC. ENGINEERS • SURVEYORS • PLANNERS <b>TWM</b> CORPORATE OFFICE 4740 OLD ILLINOISVILLE RD. SWANSEA, ILLINOIS 62226 TEL: (618) 624-6698 FAX: (618) 624-6698 E-MAIL: corp@twm-inc.com
CHECKED ALN	
DRAWN BWP	
CHECKED KPC	