

STATE OF ILLINOIS
DEPARTMENT OF TRANSPORTATION

ROUTE NO.	SECTION	COUNTY	SHEET NO.	SHEET	SHEET NO.
F.A.P. 693	(119B-3)I	TAZEWELL	31	18	14 SHEETS
FED. ROAD DIST. NO. 7	ILLINOIS	FED. AID PROJECT			

Contract # 68415

GENERAL NOTES

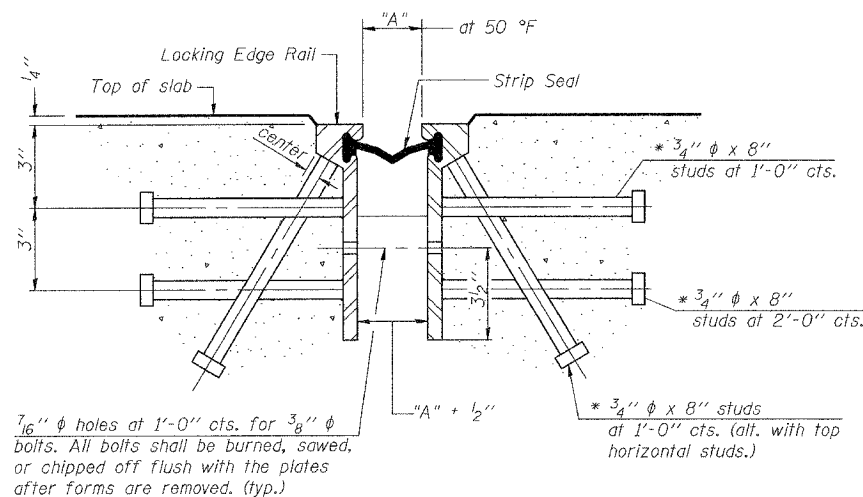
The strip seal shall be made continuous and shall have a minimum thickness of 1/4". The configuration of the strip seal shall match the configuration of the Locking Edge Rails.

The height and thickness of the Locking Edge Rails shown are minimum dimensions. The actual configuration of the Locking Edge Rails and matching strip seal may vary from manufacturer to manufacturer. Flanged edge rails will not be allowed.

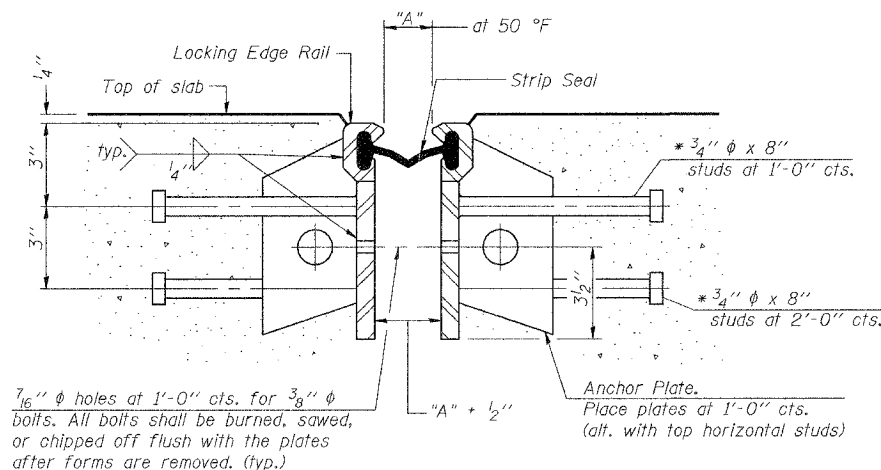
Locking Edge Rails may be spliced at slope discontinuities and stage construction joints.

The manufacturer's recommended installation methods shall be followed.

All steel components shall be galvanized after fabrication according to Article 520.03 of the Standard Specifications.



Required Strip Seal rated movement	"A"
1"	1 1/8"



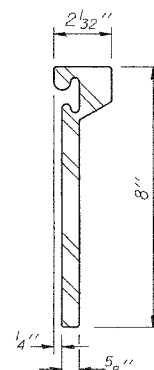
SECTION THRU ROLLED RAIL EXP. JOINT

(88 Studs Required-Stage I)
(74 Studs Required-Stage II)

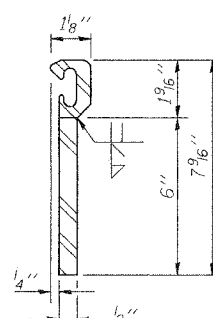
* Granular or solid flux filled headed studs conforming to Article 1006.32 of the Std. Specs., automatically end welded.

SECTION THRU WELDED RAIL EXP. JOINT

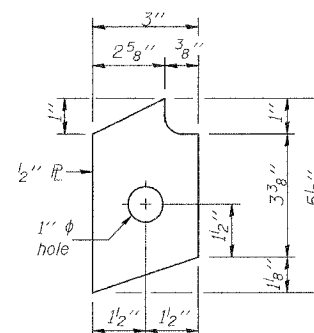
(54 Studs Required-Stage I, 46 Studs Required-Stage II)
(34 Anchor Plates Required-Stage I), (28 Anchor Plates Required-Stage II)



ROLLED (EXTRUDED) RAIL

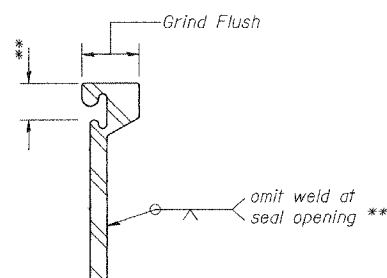


WELDED RAIL



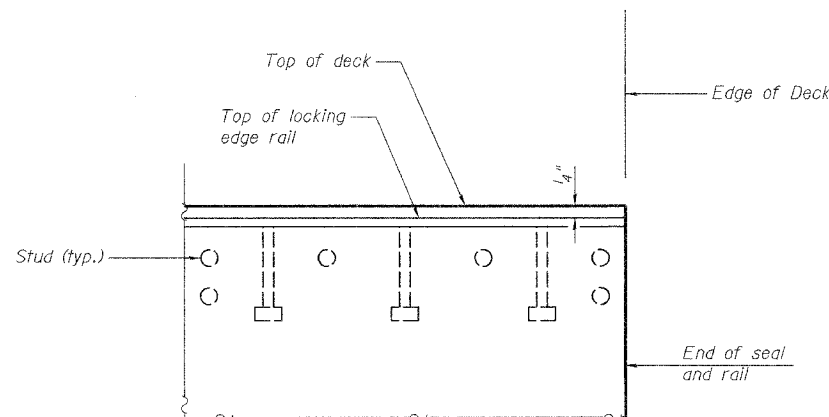
ANCHOR PLATE
(for welded rail)

LOCKING EDGE RAILS



LOCKING EDGE RAIL SPLICE

The inside of the locking edge rail groove shall be free of weld residue.



END TREATMENT ELEVATION

(Showing Rolled Rail, Welded Rail Similar)

DESIGNED BWP	THOUVENOT, WADE & MOERCHEN, INC. ENGINEERS • SURVEYORS • PLANNERS CORPORATE OFFICE 4919 OLD COLLINGSVILLE RD. SWANSEA, ILLINOIS 62226 TEL. (618) 624-4488 FAX (618) 624-6688 E-MAIL: corp@twm-inc.com
CHECKED ALN	
DRAWN BWP	
CHECKED KPC	

PREFORMED JOINT STRIP SEAL
ILLINOIS ROUTE 9 OVER
PRAIRIE CREEK
F.A.P. ROUTE 693 SECTION (119B-3)I
TAZEWELL COUNTY
SN 090-0061