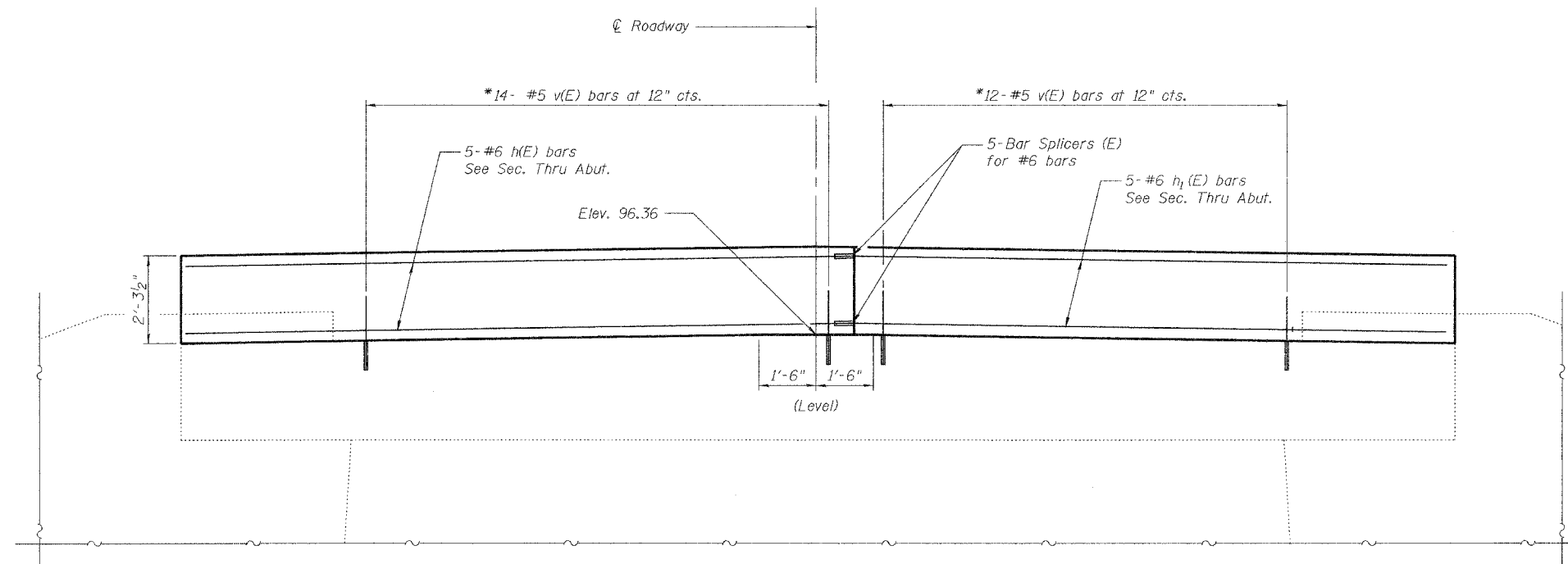


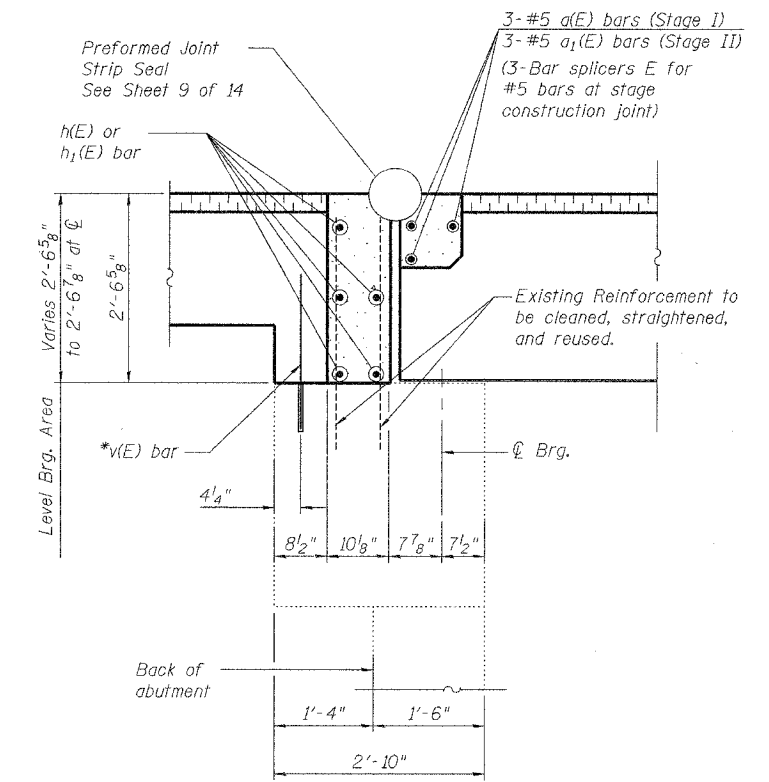
STATE OF ILLINOIS
DEPARTMENT OF TRANSPORTATION

ROUTE NO.	SECTION	COUNTY	TOTAL SHEETS	SHEET NO.	SHEET NO. 11
F.A.P. 693	(119B-3)I	TAZEWELL	31	20	14 SHEETS
FED. ROAD DIST. NO. 7	ILLINOIS	FED. AID PROJECT			

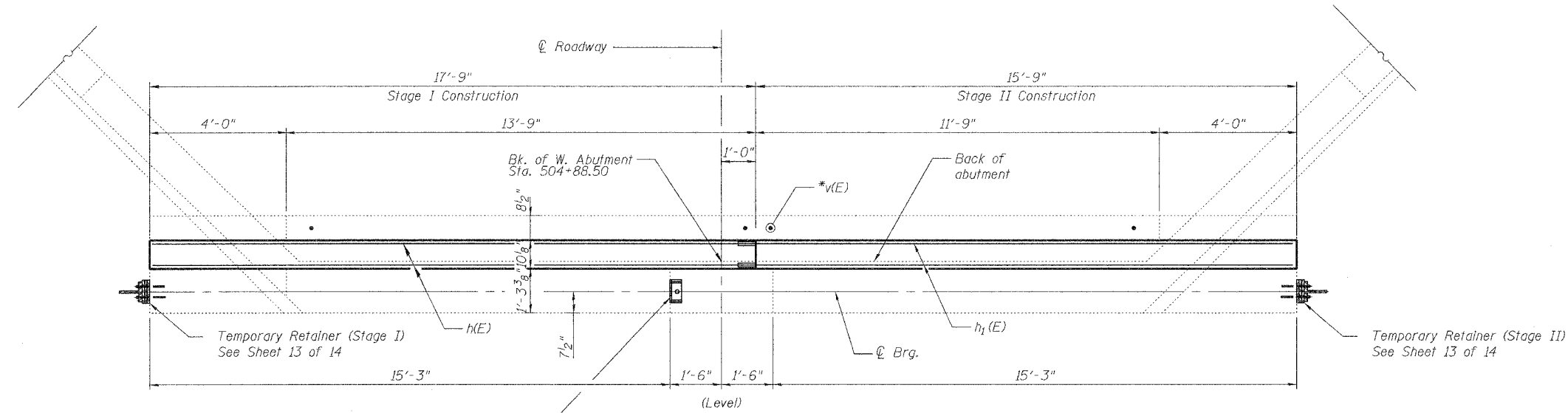
Contract #68415



ELEVATION
(Looking West)



SECTION THRU WEST ABUTMENT



PLAN

BILL OF MATERIAL

Bar	No.	Size	Length	Shape
h(E)	5	#6	17'-6"	—
h ₁ (E)	5	#6	15'-6"	—
a(E)	3	#5	17'-3"	—
a ₁ (E)	3	#5	15'-3"	—
v(E)	26	#5	2'-0"	—
Concrete Structures			Cu. Yd.	3.4
Reinforcement Bars, Epoxy Coated			Pound	400

* Epoxy grout v(E) bars in 9" (Min.) drilled holes according to Section 584 of the Standard Specification

WEST ABUTMENT
ILLINOIS ROUTE 9 OVER
PRAIRIE CREEK
F.A.P. ROUTE 693 SECTION (119B-3)I
TAZEWELL COUNTY
SN 090-0061

DESIGNED BWP	THOUVENOT, WADE & MOERCHEN, INC. ENGINEERS • SURVEYORS • PLANNERS CORPORATE OFFICE 4940 OLD COLLINGSVILLE RD. SWANSEA, ILLINOIS 62226 TEL. 618/652-4400 FAX 618/652-6688 E-MAIL: corp@twm-inc.com
CHECKED KPC	
DRAWN BWP	
CHECKED KPC	