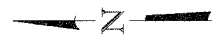
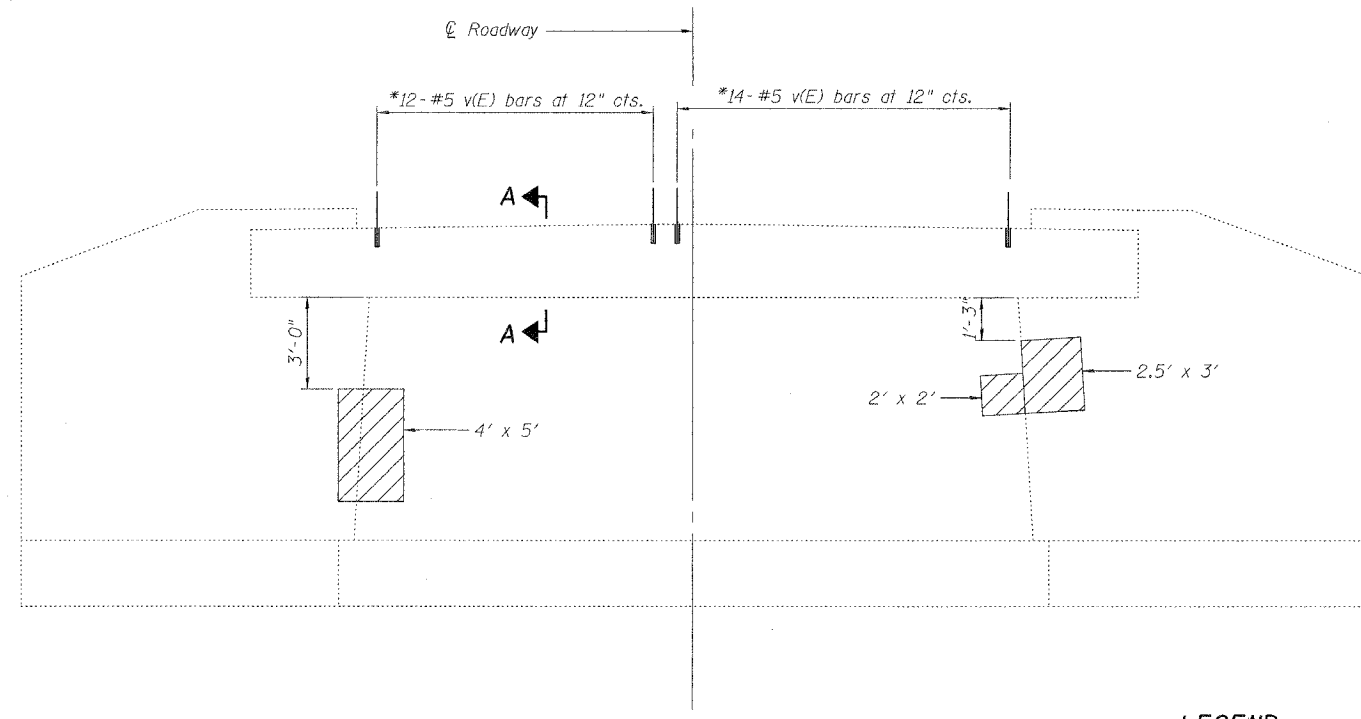


STATE OF ILLINOIS  
DEPARTMENT OF TRANSPORTATION

ROUTE NO.	SECTION	COUNTY	SHEET NO.	SHEETS	SHEET NO.
F.A.P. 693	(119B-3)I	TAZEWELL	31	21	14 SHEETS
FED. ROAD DIST. NO. 7	ILLINOIS	FED. AID PROJ. DIST.			

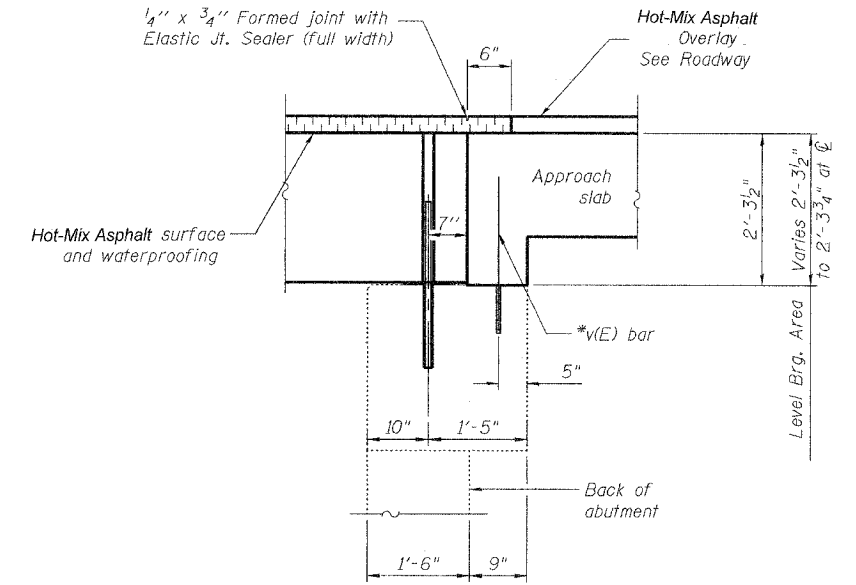
Contract #



**Elevation-East Abutment**  
(LOOKING EAST)

**LEGEND**

- Structural Repair of Concrete

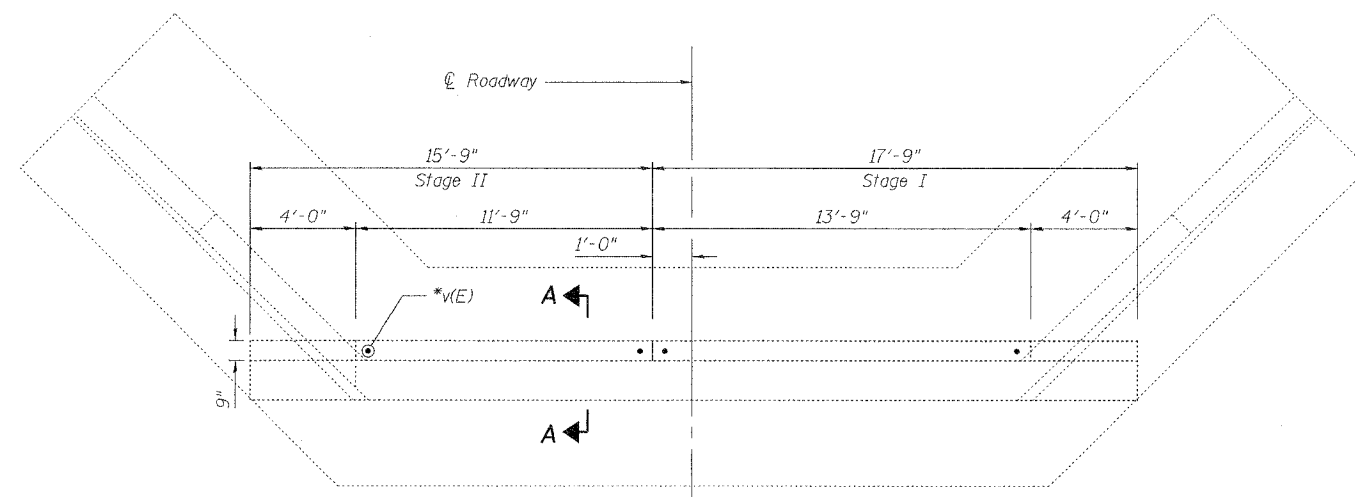


**SECTION A-A**

\* Epoxy grout v(E) bars in 9" (Min.) drilled holes according to Section 584 of the Standard Specification

**BILL OF MATERIAL**

Bar	No.	Size	Length	Shape
v(E)	26	#5	2'-0"	—
Reinforcement Bars, Epoxy Coated			Pound	50
Structural Repair of Concrete (Depth Equal to or Less Than 5")			Sq. Ft.	31.5



**Plan**

DESIGNED <i>BWP</i>	THOUVENOT, WADE & MOERCHEN, INC. ENGINEERS • SURVEYORS • PLANNERS  CORPORATE OFFICE 4940 OLD COLLINGSVILLE RD. SPRINGFIELD, ILLINOIS 62226 TEL: (618) 624-4400 FAX: (618) 624-6089 E-MAIL: <a href="mailto:corporate@twm-inc.com">corporate@twm-inc.com</a>
CHECKED <i>KPC</i>	
DRAWN <i>BWP</i>	
CHECKED <i>KPC</i>	

**EAST ABUTMENT  
CONCRETE REPAIR  
ILLINOIS ROUTE 9 OVER  
PRAIRIE CREEK  
F.A.P. ROUTE 693 SECTION (119B-3)I  
TAZEWELL COUNTY  
SN 090-0061**