

STATE OF ILLINOIS
DEPARTMENT OF TRANSPORTATION

ROUTE NO.	SECTION	COUNTY	SHEETS	SHEET	SHEET NO. 13
F.A.P. 693	(199B-31)	TAZEWELL	31	22	14 SHEETS
FED. ROAD DIST. NO. 7	ILLINOIS	FED. AID PROJECT			

Contract #68415

ANCHOR BOLTS FOR RETAINERS

GENERAL NOTES

Holes in the masonry for anchor bolts shall be drilled according to the manufacturer's recommendation after beams or girders have been erected and adjusted.

Prior to setting the bolts, the holes shall be dry and all dust and loose particles shall be removed by the use of compressed air or vacuuming.

The anchor bolts, furnished and installed and including the epoxy grout or capsules shall not be paid for separately but shall be included in the unit bid price for Precast Prestressed Concrete Deck Beams (27" Depth).

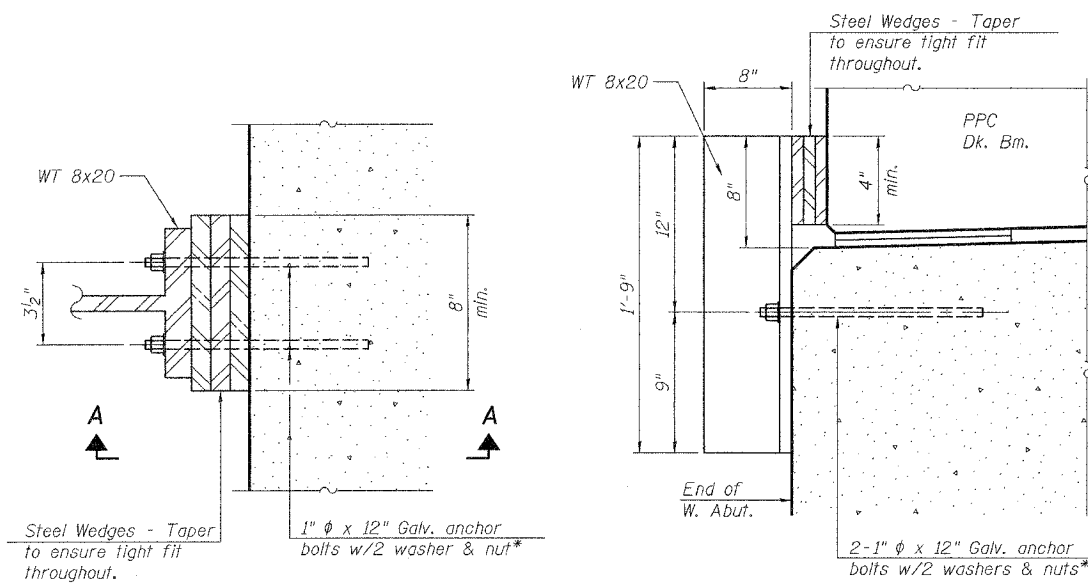
The Contractor may use, at his option, the capsule or the adhesive cartridge type anchor rods that have been previously tested and given a prior approval by the Department. The Contractor shall install these anchor rods in pre-drilled holes according to the manufacturer's recommendations and procedures.

The capsule or the adhesive cartridge type anchor rods shall be a two part system composed of:

1. A threaded rod stud with nut and washer of the type specified.
2. A sealed glass capsule or a sealed glass adhesive cartridge containing premeasured amounts of the adhesive chemical.

Location	Type
West Abut.	A325

ASTM F 1554 Grade 105, ASTM A 449 and AASHTO M 314 Grade 105 anchor bolts may be substituted for the anchor bolts shown above.



PLAN

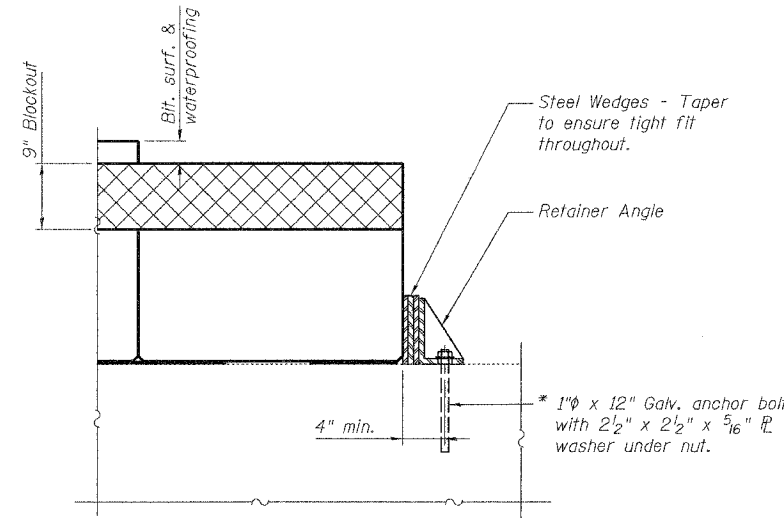
SECTION A-A

TEMPORARY RETAINER AT EXPANSION JOINT

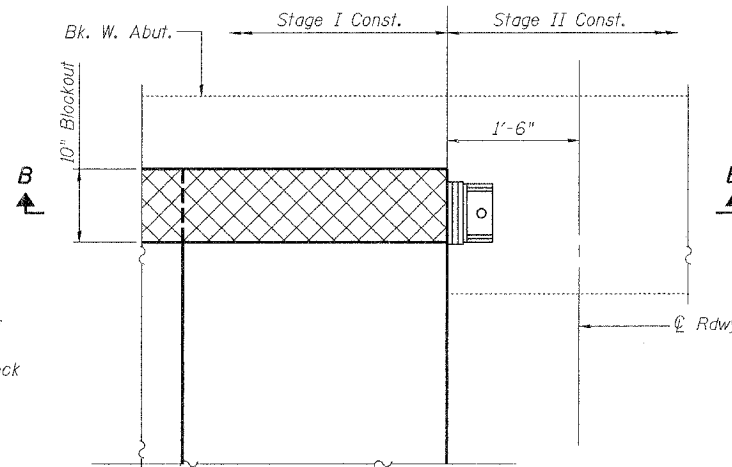
(West Abutment Only)

Note:
After block-outs are poured and cured the retainer angles shall be removed. Anchor bolts may be left in place.

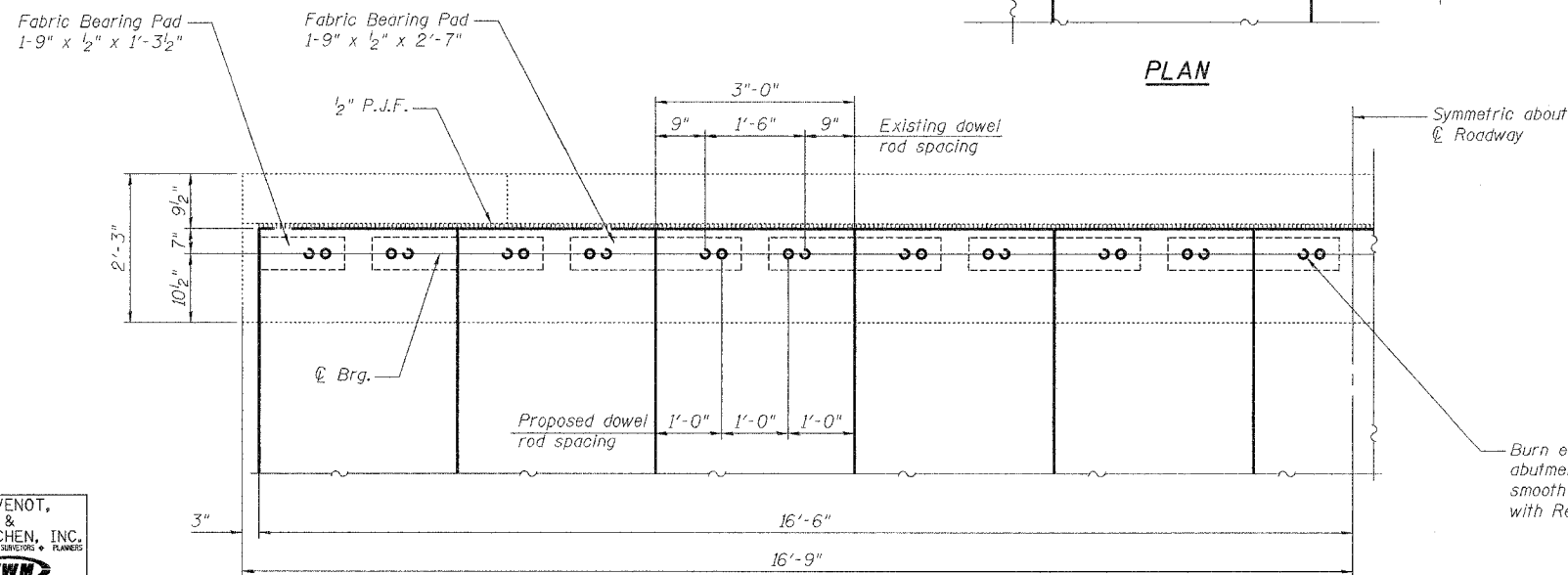
* Epoxy grout anchor bolt in 9" (Min.) drilled holes according to Section 584 of the Standard Specification. Cost of retainer and accessories are included with Precast Prestressed Concrete Deck Beams (27" Depth).



SECTION B-B



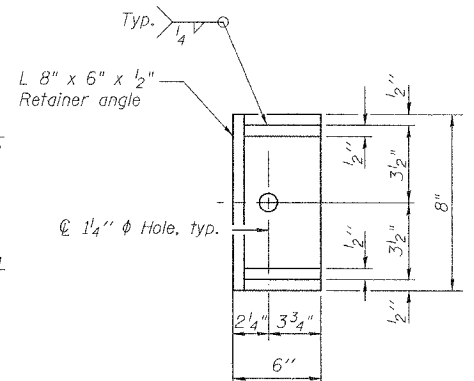
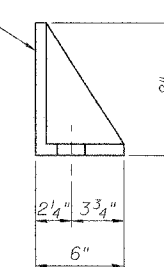
PLAN



PLAN

(at East Abutment)

L 8" x 6" x 1/2" Retainer angle



SIDE RETAINER

Note:
After block-outs are poured and cured the retainer angles shall be removed. Anchor bolts shall be cut or burn flush with the existing concrete surface, grind smooth and seal with epoxy.

Burn existing dowel rods flush with existing abutment surface. Grind existing dowel rods smooth and seal with epoxy. Cost is included with Removal of Existing Superstructures.

SUBSTRUCTURE DETAILS

ILLINOIS ROUTE 9 OVER

PRAIRIE CREEK

F.A.P. ROUTE 693 SECTION (199B-31)

TAZEWELL COUNTY

SN 090-0061

DESIGNED BWP	THOUVENOT, WADE & MOERCHEN, INC. ENGINEERS • SURVEYORS • PLANNERS CORPORATE OFFICE 4940 OLD COLLINGSVILLE RD. SPRINGFIELD, ILLINOIS 62229 TEL. (618) 624-4488 FAX (618) 624-6488 E-MAIL: GUY@TWM-INC.COM
CHECKED KPC	
DRAWN BWP	
CHECKED KPC	