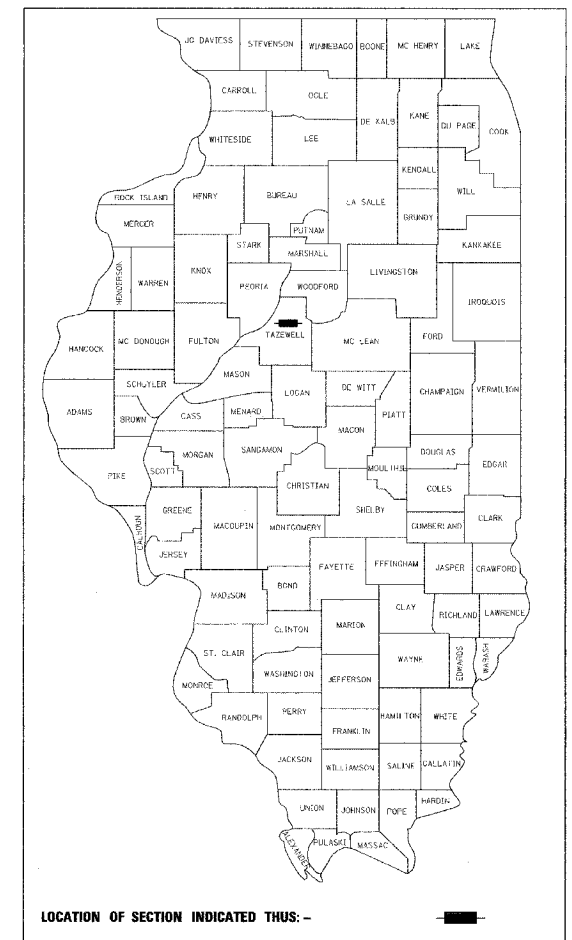


FAP ROUTE	SECTION	COUNTY	TOTAL SHEETS	SHEET NO.
693	(119B-3)	TAZEWELL	31	1
FED. ROAD DIST. NO.	ILLINOIS	FED. AID PROJECT		

CONTRACT NO. 68415
 CATALOG NO. 032903-00D
 D-94-016-05



LOCATION OF SECTION INDICATED THUS: -

STATE OF ILLINOIS
 DEPARTMENT OF TRANSPORTATION
 DIVISION OF HIGHWAYS

**PROPOSED
 HIGHWAY PLANS**

FAP ROUTE 693 (IL RTE 9)
 SECTION (119B-3)I
 PROJECT NO. F-0693(057)
 TAZEWELL COUNTY
 DECK BEAM REPLACEMENT
 C-94-100-04

SCALES
 PLAN = 1"=30'
 PROFILE HORIZ. = 1"=30'
 PROFILE VERT. = 1"=5'
 CROSS SECTIONS = 1"=10' HORIZ.
 1"=5' VERT.

INDEX OF SHEETS

- 1 COVER SHEET
- 2 GENERAL NOTES
- 3 SUMMARY OF QUANTITIES
- 4 TYPICAL SECTIONS
- 5 GENERAL SITE PLAN
- 6 RESURFACING DETAIL (BRIDGE APPROACH TAPER/BUTT JOINT)
- 7-8 STAGE CONSTRUCTION PLANS
- 9 WIDE LOAD SIGN LOCATION
- 10-23 BRIDGE PLANS
- 24-31 SCOUR MITIGATION PLANS

STANDARDS

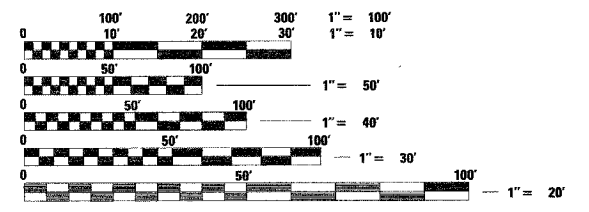
- 420401-05
- 630001-07
- 630301-04
- 631031-04
- 631032-03
- 635006-02
- 635011-01
- 701306-01
- 701321-08
- 701326-02
- 702001-06
- 704001-03
- 780001-01
- 781001-02

COMMITMENTS

NONE

DESCRIPTION OF WORK

THE PROPOSED IMPROVEMENTS CONSIST OF SCOUR MITIGATION, REMOVAL OF THE EXISTING BRIDGE SUPERSTRUCTURE AND REPLACING WITH PRECAST, PRESTRESSED CONCRETE DECK BEAMS, BITUMINOUS CONCRETE WEARING SURFACE AND OTHER APPURTENANT ITEMS OF WORK. THE CONTRACTOR SHALL BE RESPONSIBLE FOR FURNISHING ALL LABOR, EQUIPMENT AND MATERIALS NECESSARY TO SATISFACTORILY CONSTRUCT THE PROJECT IN ACCORDANCE WITH THE PLANS, SPECIFICATIONS AND PROVISIONS STATED HEREIN.

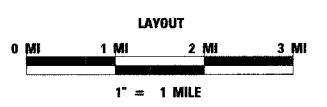
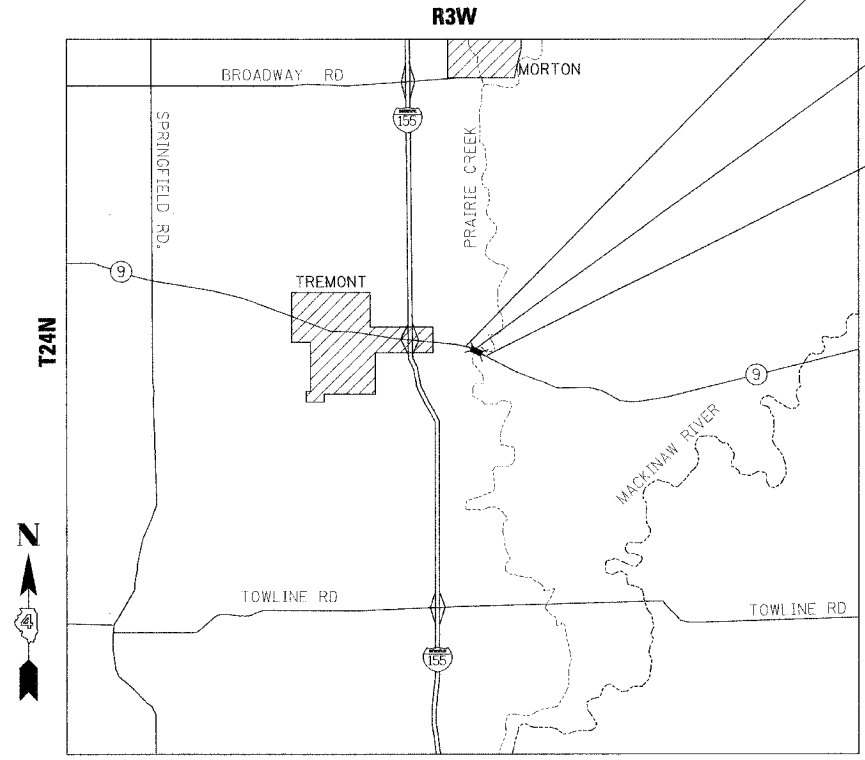


FULL SIZE PLANS HAVE BEEN PREPARED USING STANDARD ENGINEERING SCALES, REDUCED SIZED PLANS WILL NOT CONFORM TO STANDARD SCALES, IN MAKING MEASUREMENTS ON REDUCED PLANS, THE ABOVE SCALES MAY BE USED.

J.U.L.I.E.
 JOINT UTILITY LOCATION INFORMATION FOR EXCAVATION
 1-800-892-0123

CONTRACT NO. 68415

LENGTH OF PROJECT
 GROSS LENGTH: 136 FT = 0.03 MILES
 NET LENGTH: 136 FT = 0.03 MILES



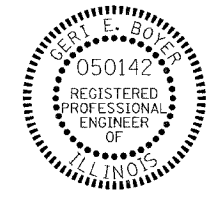
PROJECT BEGIN
 STA. 504 + 51.87
 LATITUDE 40° 31' 26" N
 LONGITUDE 89° 27' 49" W

BRIDGE OVER PRAIRIE CREEK
 STA. 504 + 88.50 TO STA. 505 + 51.50
 S.N. 090-0061

PROJECT END
 STA. 505 + 87.50
 LATITUDE 40° 31' 25" N
 LONGITUDE 89° 27' 48" W

2004 ADT = 3600
 2024 ADT = 4500

QA/QC BITUMINOUS SUPERPAVE PROJECT



PRINTED BY THE AUTHORITY
 OF THE STATE OF ILLINOIS

GERI E. BOYER, P.E.
 LICENSE NO. 062-050142
 DATE 04/23/06
 EXPIRES 11-30-2007

PREPARED BY:
 TWM
 THOUVENOT, WADE & MOERCHEN, INC.

PLOT DATE: *DATE-TIME*

PROJECT ENGINEER: JAMES MILLER
 SQUAD CONTACT: (309) 671-3451

FAP ROUTE	SECTION	COUNTY	TOTAL SHEETS	SHEET NO.
693	(119B-3)I	TAZEWELL	31	2
STA.		TO STA.		
EXISTING CONDITIONS:				
CONTRACT NO. 68415				

GENERAL NOTES

ANY REFERENCE TO A STANDARD IN THESE PLANS SHALL BE INTERPRETED TO MEAN THE EDITION, AS INDICATED BY THE SUB-NUMBER LISTED IN THE INDEX OF SHEETS, OR THE COPY OF THE STANDARD INCLUDED IN THESE PLANS.

ANY FACILITIES OR APPURTENANCES WHICH ARE THE PROPERTY OF ANY PUBLIC UTILITY LOCATED WITHIN THE LIMITS OF CONSTRUCTION SHALL BE RELOCATED OR ADJUSTED BY THEIR RESPECTIVE OWNERS. THE CONTRACTOR SHALL NOTIFY AND COOPERATE WITH THE OWNERS OF ANY SUCH FACILITY IN THEIR REMOVAL AND REARRANGE HIS OPERATIONS IN ORDER THAT THE UTILITY'S OPERATIONS AND THE CONSTRUCTION OF THIS PROJECT MAY PROGRESS IN A REASONABLE MANNER.

THE ENGINEER AND OWNER FURTHER DO NOT WARRANT THAT ALL UTILITIES HAVE BEEN ILLUSTRATED ON THESE DOCUMENTS. THE CONTRACTOR IS SOLELY RESPONSIBLE FOR CONTACTING J.U.L.I.E. FOR FIELD VERIFICATION OF ALL UTILITIES ON THE SITE PRIOR WHERE SECTION OR SUBSECTION MONUMENTS ARE ENCOUNTERED, THE ENGINEER SHALL BE NOTIFIED BEFORE SUCH MONUMENTS ARE REMOVED. THE CONTRACTOR SHALL PROTECT AND CAREFULLY PRESERVE ALL PROPERTY MARKERS AND MONUMENTS UNTIL THE OWNER AND AN AUTHORIZED SURVEYOR OR AGENT, HAVE WITNESSED OR OTHERWISE REFERENCED THEIR LOCATION.

EVERY TREE SHALL BE SAVED IF POSSIBLE. THE ENGINEER IN THE FIELD WILL VERIFY AND MARK ALL TREES REQUIRED TO BE REMOVED. SHOULD THE ENGINEER'S DECISION INCREASE OR DECREASE THE QUANTITIES OF WORK TO BE PERFORMED FROM THE PLANS, THE CONTRACTOR SHALL ACCEPT PAYMENT AS STATED IN ARTICLE 104.03 OF THE STANDARD SPECIFICATIONS. TREES OUTSIDE THE LIMITS OF CONSTRUCTION SHALL NOT BE DISTURBED UNLESS DESIGNATED BY THE ENGINEER.

THE CONTRACTOR SHALL CONFINE HIS OPERATIONS TO THE AREA LOCATED WITHIN THE CONSTRUCTION LIMIT LINES, AS SHOWN PER PLANS. ANY AREA DISTURBED BEYOND THESE LIMITS SHALL BE RESTORED TO ITS ORIGINAL CONDITION AT THE CONTRACTOR'S EXPENSE.

IT IS INTENDED THAT ANY CULVERTS DAMAGED BY OR REMOVED BY THE CONTRACTOR OTHER THAN THOSE NOTED ON THE PLANS TO BE REMOVED WILL HAVE TO BE REMOVED AND/OR REPLACED AT THE CONTRACTOR'S SOLE EXPENSE.

ALL MATERIALS SUCH AS FRAMES AND GRATES AND STORM SEWER PIPE SCHEDULED FOR REMOVAL, THAT ARE CONSIDERED TO BE SUITABLE FOR FUTURE USE, SHALL BE SALVAGED AND STOCKPILED AS DIRECTED BY THE ENGINEER. ALL OTHER MATERIALS SCHEDULED FOR REMOVAL BUT NOT SALVAGED, SHALL BE DISPOSED OF BY THE CONTRACTOR AT HIS EXPENSE.

ALL STORM SEWER AND CULVERT PIPE TO BE REMOVED WHICH THE ENGINEER DEEMS FIT FOR RE-USE SHALL BE SALVAGED IN ACCORDANCE WITH ARTICLES 501.02 OF THE IDOT STANDARD SPECIFICATIONS FOR ROAD AND BRIDGE CONSTRUCTION. ALL OTHER STORM SEWER AND CULVERT PIPE SHALL BE DISPOSED OF IN ACCORDANCE WITH ARTICLE 202.03.

ALL TEMPORARY PAVEMENT MARKINGS SHALL BE PLACED IN SUCH A MANNER SO AS NOT TO INTERFERE WITH THE PLACEMENT OF PERMANENT PAVEMENT MARKINGS.

THE THICKNESS OF THE BITUMINOUS MIXTURE SHOWN ON THE PLANS IS THE NOMINAL THICKNESS. DEVIATIONS FROM THE NOMINAL THICKNESS WILL BE PERMITTED WHEN SUCH DEVIATIONS OCCUR DUE TO IRREGULARITIES IN THE EXISTING SURFACE OR THE BASE COURSE ON WHICH THE BITUMINOUS MIXTURE IS PLACED.

NO VIBRATORY ROLLER WILL BE ALLOWED.

ILLINOIS STATE LAW REQUIRES A 48-HOUR NOTICE BE GIVEN TO ALL UTILITIES BEFORE DIGGING. FIELD MARKING OF FACILITIES MAY ALSO BE OBTAINED BY CALLING J.U.L.I.E. AND FOR NON-J.U.L.I.E. MEMBERS, THE UTILITY COMPANY DIRECTLY. AGENCIES KNOWN TO HAVE FACILITIES WITHIN THE PROJECT AREA ARE AS FOLLOWS:

- ILLINOIS-AMERICAN WATER COMPANY
- CHARTER COMMUNICATIONS
- SBC COMMUNICATIONS
- AMEREN CILCO/CIPS

(MEMBERS OF J.U.L.I.E. (800) 892-0123 ARE INDICATED BY *
NONMEMBERS OF J.U.L.I.E. MUST BE NOTIFIED INDIVIDUALLY)

FARM ACCESS

IT SHALL BE THE RESPONSIBILITY OF THE CONTRACTOR TO ALLOW FARMERS AND RESIDENTS ACCESS TO FIELDS AND RESIDENCES DURING VARIOUS STAGES OF CONSTRUCTION IF ACCESS CANNOT BE ATTAINED BY OTHER ROADS.

UTILITIES - LOCATIONS/INFORMATION ON PLANS

UNLESS NOTED OTHERWISE, THE LOCATION OF EXISTING WATER MAINS, GAS MAINS, SEWERS, ELECTRIC POWER LINES, TELEPHONE LINES AND OTHER UTILITIES AS SHOWN ON THE PLANS ARE BASED ON CAREFUL FIELD INVESTIGATION AND THE INFORMATION AVAILABLE. BUT THEY ARE NOT GUARANTEED. SOME UTILITY LOCATIONS ARE SHOWN AS FUTURE. IT SHALL BE THE CONTRACTOR'S RESPONSIBILITY TO ASCERTAIN THEIR EXACT LOCATION FROM THE UTILITY COMPANIES AND BY FIELD INSPECTION.

BUTT JOINT CUTTING TIME RESTRICTION

BUTT JOINTS SHALL NOT BE MILLED MORE THAN THREE (3) DAYS PRIOR TO PLACEMENT OF THE BITUMINOUS SURFACE COURSE.

NAME PLATE RELOCATION

NAME PLATES THAT WILL BE REMOVED AS A RESULT OF THIS WORK SHALL BE RELOCATED ON THE STEEL BRIDGE RAIL, TYPE SM AS DIRECTED BY THE ENGINEER. THE COST OF REMOVING AND REPLACING THE NAME PLATE(S), INCLUDING ALL NECESSARY FASTENERS, WILL NOT BE MEASURED OR PAID FOR SEPARATELY, BUT WILL BE CONSIDERED AS INCIDENTAL TO THE CONTRACT.

COMMITMENTS:

NONE

THE FOLLOWING MIXTURE REQUIREMENTS ARE APPLICABLE FOR THIS PROJECT:

MIXTURE USE(S):	SURFACE (1 1/2" LIFT)	BINDER COURSE (1 3/42" LIFT)
AC/PG	PG 64-22	PG 64-22
RAP % (MAX)	15%	15%
DESIGN AIR VOIDS	4.2% @ N=50	4.2% @ N=50
MIX COMPOSITION (GRADATION MIXTURE)	IL 9.5 OR 12.5	IL 9.5 OR 12.5
FRICITION AGG	Mixture D	N.A.

PLAN QUANTITIES FOR BITUMINOUS CONCRETE SURFACE COURSE ITEMS ARE CALCULATED USING A UNIT WEIGHT OF 112 LB/SQ YD/IN.

GENERAL NOTES - SCOUR MITIGATION

PLAN DIMENSIONS AND DETAILS RELATIVE TO EXISTING STRUCTURE (INCLUDING HIGH WATER ELEVATION) HAVE BEEN TAKEN FROM EXISTING PLANS AND ARE SUBJECT TO NOMINAL CONSTRUCTION VARIATIONS. IT SHALL BE THE CONTRACTOR'S RESPONSIBILITY TO VERIFY SUCH DIMENSIONS AND DETAILS IN THE FIELD AND MAKE NECESSARY APPROVED ADJUSTMENTS PRIOR TO CONSTRUCTION OR ORDERING OF MATERIALS. SUCH VARIATIONS SHALL NOT BE CAUSE FOR ADDITIONAL COMPENSATION FOR A CHANGE IN THE SCOPE OF THE WORK. HOWEVER, THE CONTRACTOR WILL BE PAID FOR THE QUANTITY ACTUALLY FURNISHED AT THE UNIT PRICE BID FOR THE WORK.

ALL INFORMATION SHOWN IN EACH STRUCTURE'S WATERWAY INFORMATION TABLE WAS PROVIDED BY THE ILLINOIS DEPARTMENT OF TRANSPORTATION.

COMMITMENTS ARE NOT TO BE ALTERED WITHOUT THE WRITTEN APPROVAL OF ALL PARTIES TO WHICH THE COMMITMENT WAS MADE.

THE CONTRACTOR SHALL BE RESPONSIBLE FOR DIVERTING THE WATER FLOW FROM THE CONSTRUCTION AREA OF EACH SITE.

DURING SITE PREPARATION, AREAS BELOW THE FINAL GRADE SHALL BE BROUGHT TO GRADE BY PLACING COMPACTED LAYERS OF GRANULAR SUBBASE MATERIAL, TYPE C. AREAS OF SOFT OR OTHERWISE UNSUITABLE SUBGRADE SOILS SHALL BE EXCAVATED AND REPLACED WITH COMPACTED LAYERS OF GRANULAR SUBBASE MATERIALS, TYPE C. REMOVAL AND REPLACEMENT OF UNSUITABLE MATERIALS SHALL BE AS DIRECTED BY THE ENGINEER AND WILL BE PAID FOR IN ACCORDANCE TO ARTICLE 109.04 (FORCE ACCOUNT BASIS) OF THE STANDARD SPECIFICATIONS. AN ASSUMED QUANTITY FOR GRANULAR SUBBASE MATERIALS, TYPE C IS INCLUDED AS PART OF EACH STRUCTURE'S MITIGATION DETAILS.

LAYOUT OF SCOUR PROTECTION SYSTEMS MAY BE VARIED IN THE FIELD TO SUIT GROUND CONDITIONS AS DIRECTED BY THE ENGINEER.

ALL AREAS DISTURBED DURING CONSTRUCTION SHALL BE GRADED, FERTILIZED, SEEDED AND MULCHED AS DIRECTED BY THE ENGINEER. SECTIONS 250 AND 251 OF THE STANDARD SPECIFICATIONS SHALL GOVERN THIS WORK.

IT IS ANTICIPATED THAT THE MAJORITY OF THE SCOUR WORK WILL NOT REQUIRE HIGHWAY TRAFFIC LANE CLOSURES. WORK WHICH WOULD REQUIRE EXTENDED LANE CLOSURES SHALL BE DONE WHILE 701301 BIS IN USE. OTHERWISE THE CONTRACTOR IS RESTRICTED TO ONE-LANE DAYTIME ONLY CLOSURE IN ACCORDANCE TO IDOT STANDARDS 701301.

SUGGESTED SEQUENCE OF CONSTRUCTION

1. DIVERT WATER FLOW FROM THE CONSTRUCTION AREA.
2. EXCAVATE TO THE LINES, GRADES, CONTOURS, AND DIMENSIONS SHOWN. THE PREPARED AREA SHALL BE INSPECTED AND APPROVED BY THE ENGINEER BEFORE FURTHER WORK CAN TAKE PLACE.
3. INSTALL FILTER FABRIC ON THE GRADED SURFACES AS SHOWN ON THE DRAWINGS.
4. INSTALL SITE SPECIFIC SCOUR COUNTERMEASURES. SEE DETAIL SHEETS FOR SPECIFIC INSTALLATION PROCEDURES.
5. REMOVE ANY WATER DIVERSION. GRADE AND SEED GROUND DISTURBED DURING CONSTRUCTION.

DISPOSITION OF UTILITIES

UTILITY	COMPANY	LOCATION	ACTION
Underground Gas	AmerenCILCO	North Side of Creek	Use Caution
Underground Telephone	McLeodUSA	16.5' South of South Bridge Face Buried 5' Deep	Use Caution

REVISIONS	
NAME	DATE

ILLINOIS DEPARTMENT OF TRANSPORTATION

GENERAL NOTES

F.A.P. RTE 693
SECTION (119B-3)I
TAZEWELL COUNTY

SCALE: NONE
DATE: 03/24/2006

DRAWN BY: KBF
CHECKED BY: AJE

DATE: *DATE-TIME*
JOB: *JOB-SPEC*
REF: *REF.*

PLOT DATE: *DATE-TIME*

SUMMARY OF QUANTITIES

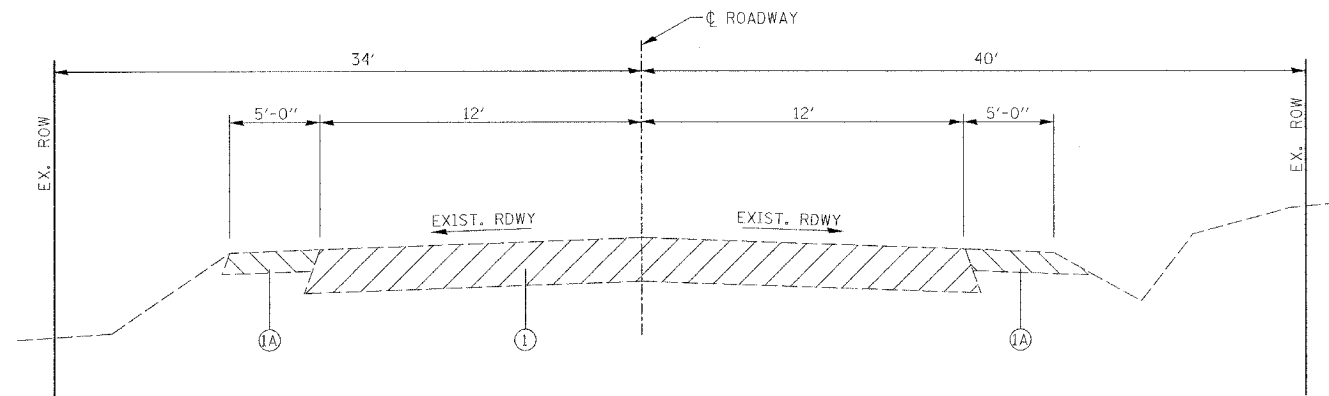
FAP PROJECT	SECTION	COUNTY	TOTAL SHEETS	SHEET NO.
693	(119B-3)I	TAZEWELL	31	3
STA. TO STA.				
EXISTING CONDITIONS:				
CONTRACT NO. 68415				

SUMMARY OF QUANTITIES			TOTAL QUANTITIES	CONSTRUCTION TYPE CODE					
CODE NO	ITEM	UNIT		1000 FED 80% STATE 20%	SFTY-2A FED 80% STATE 20%	SFTY-3N FED 80% STATE 20%			
20300100	CHANNEL EXCAVATION	CU YD	416		416				
25000300	SEEDING, CLASS 3	ACRE	0.03		0.03				
25000400	NITROGEN FERTILIZER NUTRIENT	POUND	3		3				
25000500	PHOSPHOROUS FERTILIZER NUTRIENT	POUND	3		3				
25000600	POTASSIUM FERTILIZER NUTRIENT	POUND	3		3				
25100630	EROSION CONTROL BLANKET	SQ YD	138		138				
28100209	STONE RIPRAP, CLASS A5	TON	1685		1685				
28200200	FILTER FABRIC	SQ YD	712		712				
31101900	SUB-BASE GRANULAR MATERIAL, TYPE C	TON	100		100				
40600100	BITUMINOUS MATERIALS (PRIME COAT)	GALLON	35	35					
40600300	AGGREGATE (PRIME COAT)	TON	1	1					
40603080	HOT-MIX ASPHALT BINDER COURSE, IL-19.0, N50	TON	21	21					
40603335	HOT-MIX ASPHALT SURFACE COURSE, MIX "D", N50	TON	53	20	33				
40600982	HOT-MIX ASPHALT SURFACE REMOVAL - BUT JOINT	SQ YD	160	160					
42001400	BRIDGE APPROACH PAVEMENT (SPECIAL)	SQ YD	164	164					
42001430	BRIDGE APPROACH PAVEMENT CONNECTOR (FLEXIBLE)	SQ YD	35	35					
44000100	PAVEMENT REMOVAL	SQ YD	92	92					
44000700	APPROACH SLAB REMOVAL	SQ YD	107	107					
48101200	AGGREGATE SHOULDERS, TYPE B	TON	3	3					
50101500	REMOVAL OF EXISTING SUPERSTRUCTURES	EACH	1		1				
50102400	CONCRETE REMOVAL	CU YD	2.4		2.4				
50300225	CONCRETE STRUCTURES	CU YD	3.4		3.4				
52000110	PERFORMED JOINT STRIP SEAL	FOOT	33.0		33.0				
50400105	PRECAST CONCRETE BRIDGE SLAB	SQ FT	299		299				
50400505	PRECAST PRESTRESSED CONCRETE DECK BEAMS (27" DEPTH)	SQ FT	2,066		2,066				
50800205	REINFORCEMENT BARS, EPOXY COATED	POUND	450		450				
50800515	BAR SPLICERS	EACH	8		8				
50901050	STEEL RAILING, TYPE SM	FOOT	207		207				
51500100	NAME PLATES	EACH	1		1				
58100200	WATERPROOFING MEMBRANE SYSTEM	SQ YD	230		230				
58300100	PC MORTAR FAIRING COURSE	FOOT	626		626				
* 63000000	STEEL PLATE BRIDGE GUARD RAIL, TYPE A	FOOT	100	100					
* 63100087	TRAFFIC BARRIER TERMINAL, TYPE 6A	EACH	4	4					
63200305	STEEL PLATE BEAM GUARD RAIL REMOVAL	FOOT	125	125					
* 63300205	REMOVE AND REINSTALL EXISTING STEEL PLATE BEAM GUARDRAIL, TYPE A	FOOT	50		50				
67000400	ENGINEER'S FIELD OFFICE, TYPE A	CAL MO	4		4				
67100100	MOBILIZATION	L SUM	1		1				
70100405	TRAFFIC CONTROL AND PROTECTION, STANDARD 701321	EACH	1		1				
70100460	TRAFFIC CONTROL AND PROTECTION, STANDARD 701306	L SUM	1	1					

SUMMARY OF QUANTITIES			TOTAL QUANTITIES	CONSTRUCTION TYPE CODE					
CODE NO	ITEM	UNIT		1000 FED 80% STATE 20%	SFTY-2A FED 80% STATE 20%	SFTY-3N FED 80% STATE 20%			
70106500	TEMPORARY BRIDGE TRAFFIC SIGNALS	EACH	1	1					
70106700	TEMPORARY RUMBLE STRIP	EACH	12	12					
70300100	SHORT-TERM PAVEMENT MARKING	FOOT	144	144					
70300220	TEMPORARY PAVEMENT MARKING - LINE 4"	FOOT	3,107	3,107					
70301000	WORK ZONE PAVEMENT MARKING REMOVAL	SQ FT	1,132	1,132					
70400100	TEMPORARY CONCRETE BARRIER	FOOT	329	329					
70400200	RELOCATE TEMPORARY CONCRETE BARRIER	FOOT	329	329					
* 78005110	EPOXY PAVEMENT MARKING - LINE 4"	FOOT	1,689	1,689					
* 78100100	RAISED REFLECTIVE PAVEMENT MARKERS	EACH	10	10					
* 78200410	GUARDRAIL MARKERS, TYPE A	EACH	4	4					
* 78200510	BARRIER WALL MARKERS, TYPE A	EACH	4	4					
78300100	PAVEMENT MARKING REMOVAL	SQ FT	473	473					
78300200	RAISED REFLECTIVE PAVEMENT MARKER REMOVAL	EACH	10	10					
X0322587	CONSTRUCTION ACCESS	EACH	1		1				
* X7200200	WIDE LOAD SIGNING	L SUM	1	1					
X0325305	STRUCTURAL REPAIR OF CONCRETE (DEPTH EQUAL TO OR LESS THAN 5 INCHES)	SQ FT	45.1		45.1				
Z0030255	IMPACT ATTENUATORS, TEMPORARY (FULLY REDIRECTIVE, NARROW), TEST LEVEL 2	EACH	2		2				
Z0030320	IMPACT ATTENUATORS, RELOCATE (FULLY REDIRECTIVE), TEST LEVEL 2	EACH	2		2				

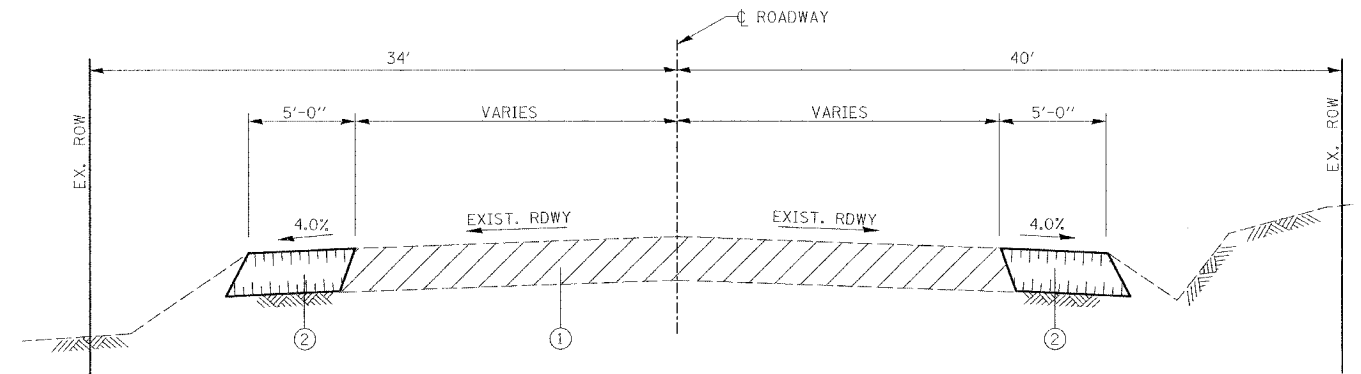
REVISIONS		ILLINOIS DEPARTMENT OF TRANSPORTATION	
NAME	DATE	SUMMARY OF QUANTITIES	
		F.A.P. RTE. 693	
		SECTION (119B-3)I	
		TAZEWELL COUNTY	
		SCALE: NONE	DRAWN BY: KBF
		DATE: 03/24/2006	CHECKED BY: AJE

ZIP CODE	SECTION	COUNTY	TOTAL SHEETS	SHEET NO.
693	(119B-3)I	TAZEWELL	31	4
STA.		TO STA.		
EXISTING CONDITIONS:				
CONTRACT NO. 68415				



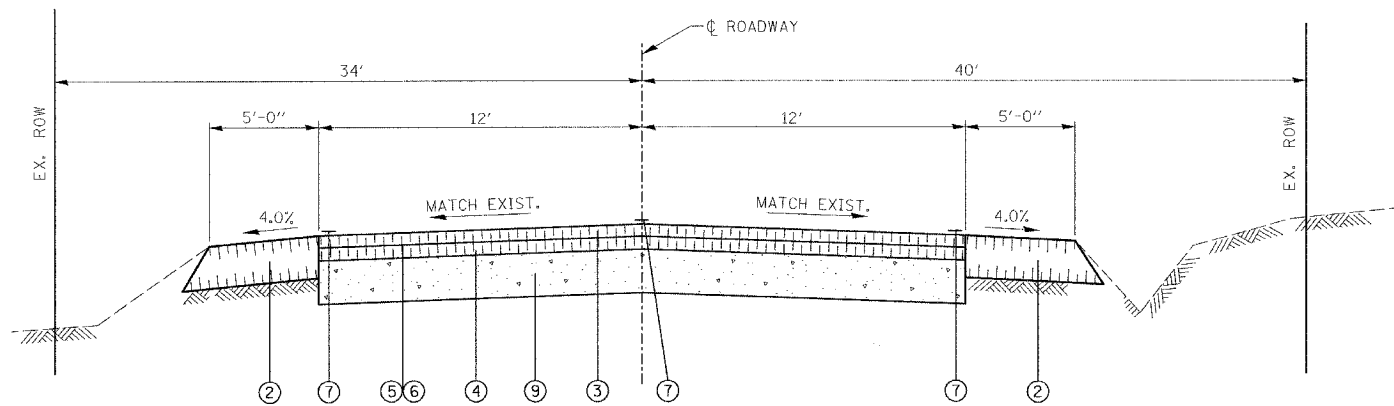
EXISTING TYPICAL SECTION IL ROUTE 9

STA. 503+60 TO STA. 504+67.95
STA. 505+71.42 TO STA. 506+70



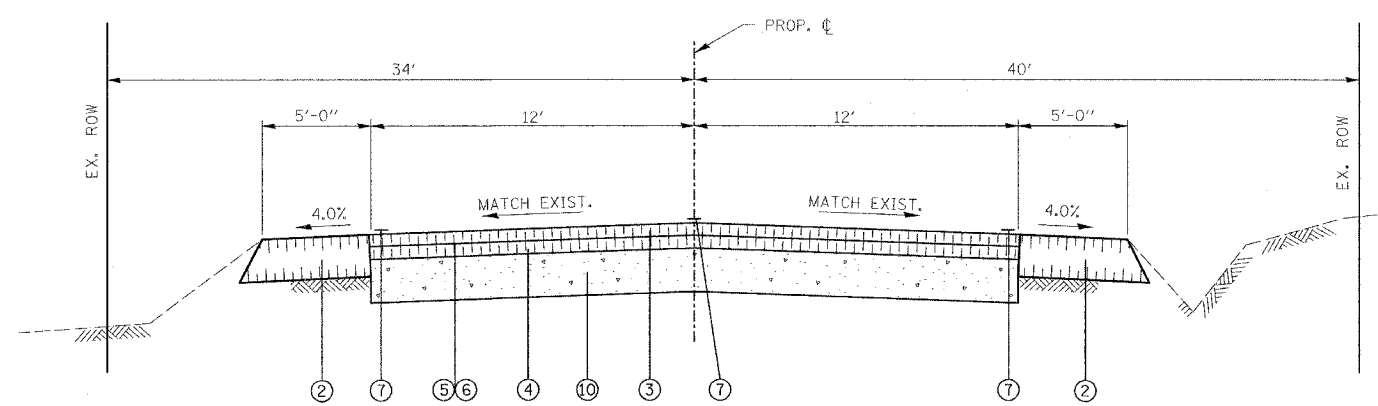
PROPOSED TYPICAL SECTION IL ROUTE 9

STA. 503+60 TO STA. 504+51.87, LT.
STA. 505+87.5 TO STA. 506+40, LT.
STA. 503+90 TO STA. 504+51.87, RT.
STA. 505+87.5 TO STA. 506+70, RT.



PROPOSED TYPICAL SECTION IL RTE 9

STA. 504+51.87 TO STA. 504+57.87
STA. 505+81.50 TO STA. 505+87.50



PROPOSED TYPICAL SECTION IL RTE 9

STA. 504+57.87 TO STA. 504+67.95
STA. 505+71.42 TO STA. 505+81.50

LEGEND

- ① EXISTING ROADWAY
- 1A EXISTING AGGREGATE SHOULDER
- ② BITUMINOUS CONCRETE BASE COURSE WIDENING, 9"
- ③ PROPOSED BITUMINOUS CONCRETE SURFACE COURSE SUPERPAVE, MIX "D" N50 - 1 1/2 "
- ④ PROPOSED BITUMINOUS CONCRETE BINDER COURSE SUPERPAVE, IL 19.0, N50 - 1 5/8 "
- ⑤ PROPOSED BITUMINOUS MATERIALS (PRIME COAT)
- ⑥ PROPOSED AGGREGATE (PRIME COAT)
- ⑦ PROPOSED PAVEMENT MARKING
- ⑧ 8" AGGREGATE BASE
- ⑨ PROPOSED BRIDGE APPROACH PAVEMENT CONNECTOR (FLEXIBLE), STANDARD 420401
- ⑩ PROPOSED BRIDGE APPROACH PAVEMENT STANDARD 420401 (NO CURB)

INDICATES EXISTING ROADWAY

OMISSIONS
BRIDGE APPROACH PAVEMENT AT NELSON BEAMS:
STA. 504+67.95 TO STA. 504+87.87
STA. 505+51.50 TO STA. 505+71.42
BRIDGE:
STA. 504+87.87 TO STA. 505+51.50

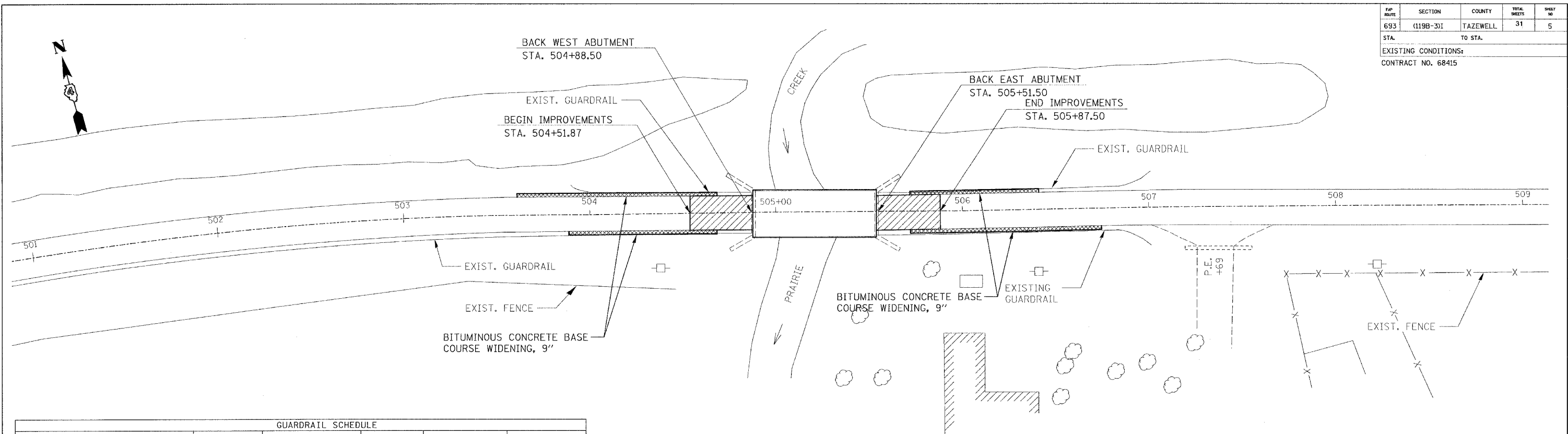
REVISIONS	
NAME	DATE

ILLINOIS DEPARTMENT OF TRANSPORTATION
TYPICAL SECTIONS
F.A.P. RTE. 693
SECTION (119B-3)I
TAZEWELL COUNTY

SCALE: NONE
DATE: 03/24/2006

DRAWN BY: KBF
CHECKED BY: AJE

FAP ROUTE	SECTION	COUNTY	TOTAL SHEETS	SHEET NO
693	(119B-3)I	TAZEWELL	31	5
STA. TO STA.		EXISTING CONDITIONS:		
CONTRACT NO. 68415				



GENERAL SITE PLAN

GUARDRAIL SCHEDULE						
STATION TO STATION		SPBGR TYPE A (FOOT)	TRAFFIC BARRIER TERMINAL, TYPE 6A (EACH)	SPBGR REMOVAL (FOOT)	GUARDRAIL MARKERS T-A (EACH)	BARRIER WALL MARKER T-A (EACH)
504+37.25 LT.	504+68.50 LT.			31.25		
504+37.25 RT.	504+68.50 RT.			31.25		
505+71.50 LT.	506+02.75 LT.			31.25		
505+71.50 RT.	506+02.75 RT.			31.25		
504+37.25 RT.	504+68.50 RT.		1		2	
505+71.50 RT.	506+02.75 RT.		1		2	
504+37.25 LT.	504+68.50 LT.		1		2	
505+71.50 LT.	506+02.75 LT.		1		2	
504+68.50 RT.	505+71.50 RT.					2
504+68.50 LT.	505+71.50 LT.					2
TOTAL:			4	125	8	4

PAVING SCHEDULE							
STATION TO STATION		BITUMINOUS MATERIALS PRIME COAT (GALLON)	AGGREGATE (TON)	BITUMINOUS SURFACE REMOVAL (SQ. YD.)	AGGREGATE SHOULDERS (TON)	BITUMINOUS CONCRETE SURFACE COURSE SUPERPAVE MIX D (TON)	BINDER COURSE SUPERPAVE N50 (TON)
504+51.87	504+88.00	17.5	0.5		1.5	10	10.5
505+52.00	505+87.50	17.5	0.5		1.5	10	10.5
504+87.87	505+51.50			92		33	
504+51.87	505+87.50						
TOTAL:		35	1	92	3	53	21

PAVEMENT MARKING SCHEDULE						
STATION TO STATION	SHORT TERM PAVEMENT MARKINGS (FOOT)	TEMPORARY PAVEMENT MARKING LINE 4" (FT.)	WORK ZONE PAVEMENT MARKING REMOVAL (SQ. FT.)	EPOXY PAVEMENT MARKING LINE 4" (FOOT)		PAVEMENT MARKING REMOVAL (SQ. FT.)
				WHITE	YELLOW	
501+51.00 C TO 508+60.00 C	144		48		1418	473
501+51.00 RT. TO 508+60.00 RT.			236.3			
501+51.00 LT. TO 508+60.00 LT.			236.3			
501+51.00 RT. TO 508+60.00 RT. (STAGE 1 & 2)		1418	236.3			
501+51.00 LT. TO 508+60.00 LT. (STAGE 1 & 2)		1418	236.3			
504+51.87 RT. TO 505+87.50 RT.		135.6	45.2	135.6		
504+51.87 LT. TO 505+87.50 LT.		135.6	45.2	135.6		
STOP BAR (2 LOCATIONS)			48			
SUB TOTAL:		3107	1132	271.2	1418	
TOTAL:	144	3107	1132	1689	1418	473

EARTH EXCAVATION (WIDENING)		
STATION TO STATION		EXCAVATION (CU YD)
503+60.00, LT.	504+67.95, LT.	15
505+71.42, LT.	506+40.00, LT.	10
503+90.00, RT.	504+67.95, RT.	11
505+71.42, RT.	506+70.00, RT.	14
TOTAL:		50

BITUMINOUS BASE COURSE WIDENING, 9"		
STATION TO STATION		WIDENING (SQ YD)
503+60.00, LT.	504+67.95, LT.	60
505+71.42, LT.	506+40.00, LT.	38
503+90.00, RT.	504+67.95, RT.	43
505+71.42, RT.	506+70.00, RT.	55
TOTAL:		196

REVISIONS	
NAME	DATE

ILLINOIS DEPARTMENT OF TRANSPORTATION
GENERAL SITE PLAN AND SCHEDULES
 F.A.P. RTE. 693
 SECTION (119B-3)I
 TAZEWELL COUNTY
 SCALE: NONE
 DATE: 03/24/2006
 DRAWN BY: KBF
 CHECKED BY: AJE

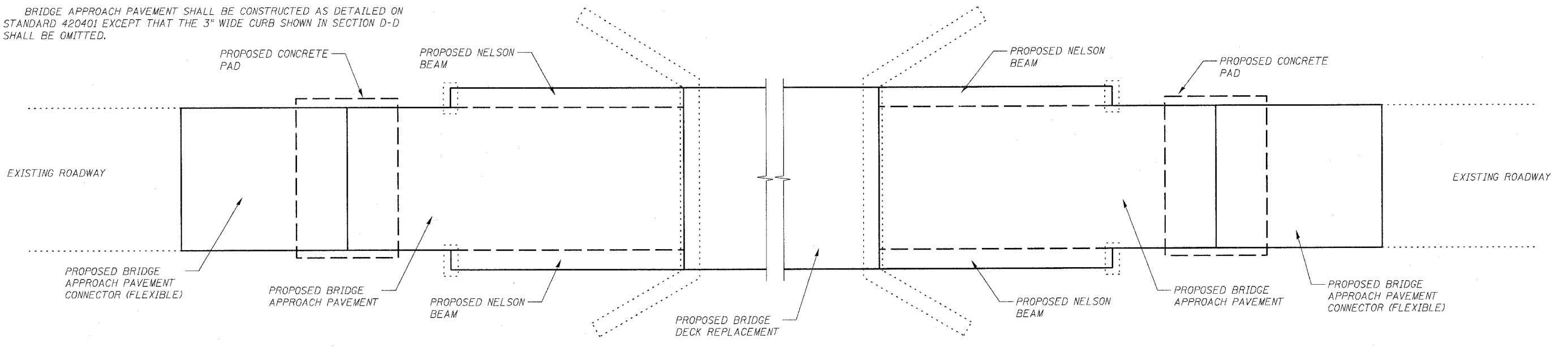
AS NOTED
 DATE-TIME
 DIM-SPEC
 REF

NOTES:
 FULL-DEPTH SAW CUTS ARE REQUIRED FOR ALL REMOVAL ITEMS AND THAT THE COST FOR SUCH IS INCLUDED IN THE REMOVAL ITEM.

'ROAD CONSTRUCTION AHEAD' SIGNS ARE REQUIRED ON ALL INTERSECTING ROADS AND HIGHWAYS. THE COST FOR SUCH IS INCLUDED IN THE APPLICABLE TRAFFIC CONTROL PAY ITEM.

BRIDGE APPROACH PAVEMENT SHALL BE CONSTRUCTED AS DETAILED ON STANDARD 420401 EXCEPT THAT THE 3" WIDE CURB SHOWN IN SECTION D-D SHALL BE OMITTED.

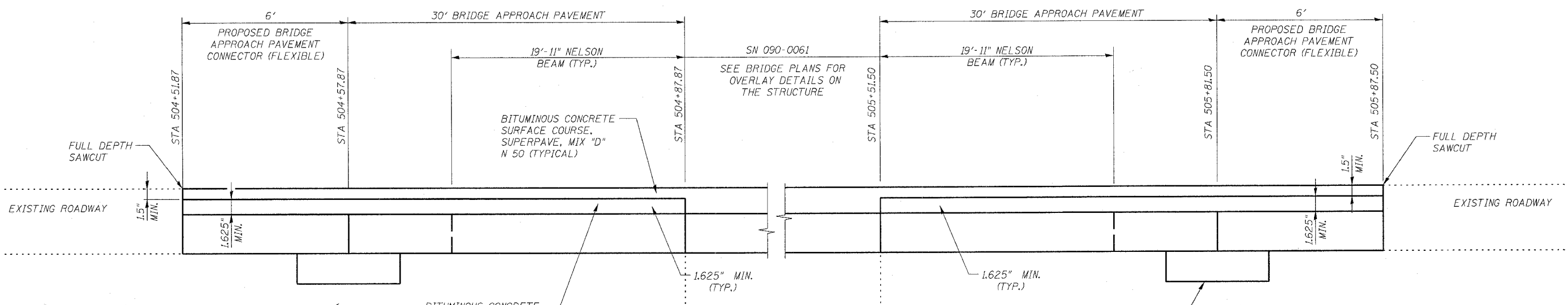
PROJECT NO.	SECTION	COUNTY	TOTAL SHEETS	SHEET NO.
693	(119B-3)I	TAZEWELL	31	6
STA.		TO STA.		
EXISTING CONDITIONS:				
CONTRACT NO. 68415				



PLAN

BRIDGE APPROACH PAVEMENT		
LOCATION	WIDTH	SQ. YD.
STA. 504+57.87 TO STA. 504+87.87	34'	113
STA. 505+51.50 TO STA. 505+81.50	34'	113'

BRIDGE APPROACH PAVEMENT CONNECTOR (FLEXIBLE)		
LOCATION	WIDTH	SQ. YD.
STA. 504+51.87 TO STA. 504+57.87	26'	17
STA. 505+81.50 TO STA. 505+87.50	26'	17



SECTION

REVISIONS	NAME	DATE

ILLINOIS DEPARTMENT OF TRANSPORTATION
 BRIDGE APPROACH RESURFACING
 DETAIL (TAPER/BUTT JOINT)
 F.A.P. RTE. 693
 SECTION (119B-3)I
 TAZEWELL COUNTY

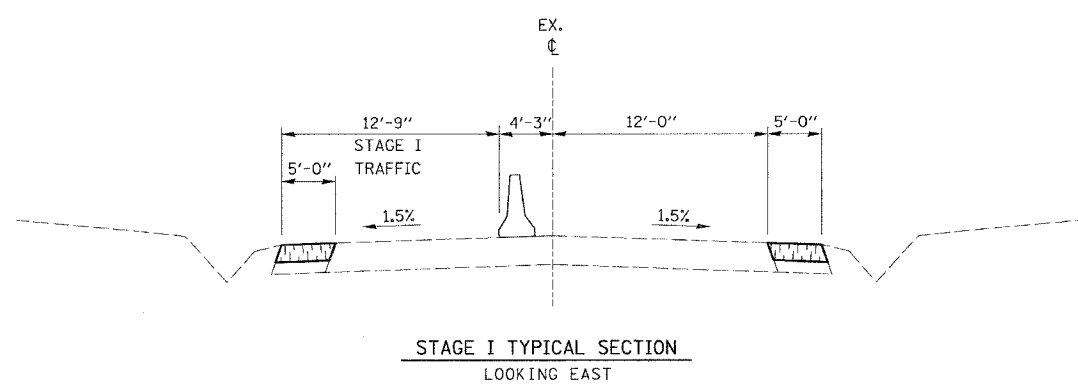
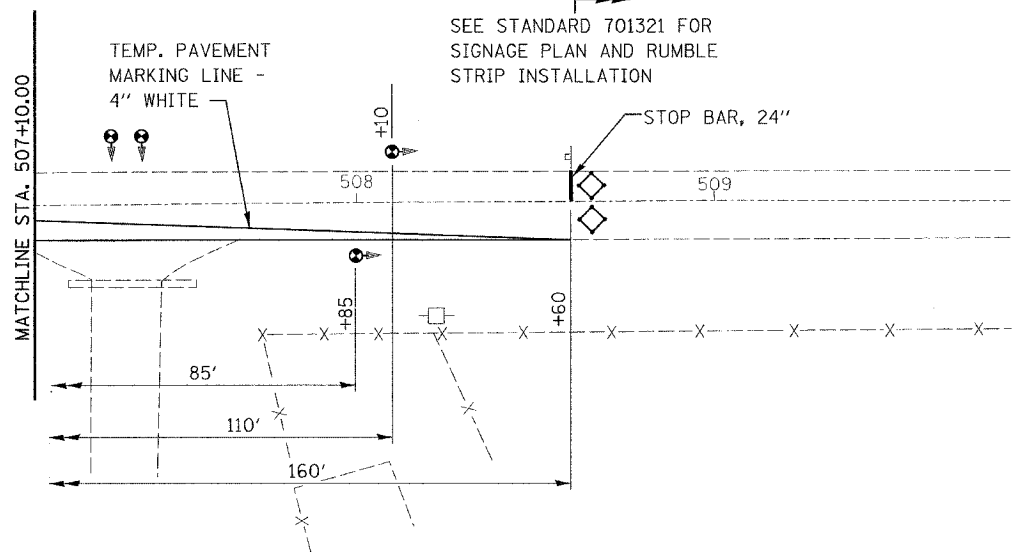
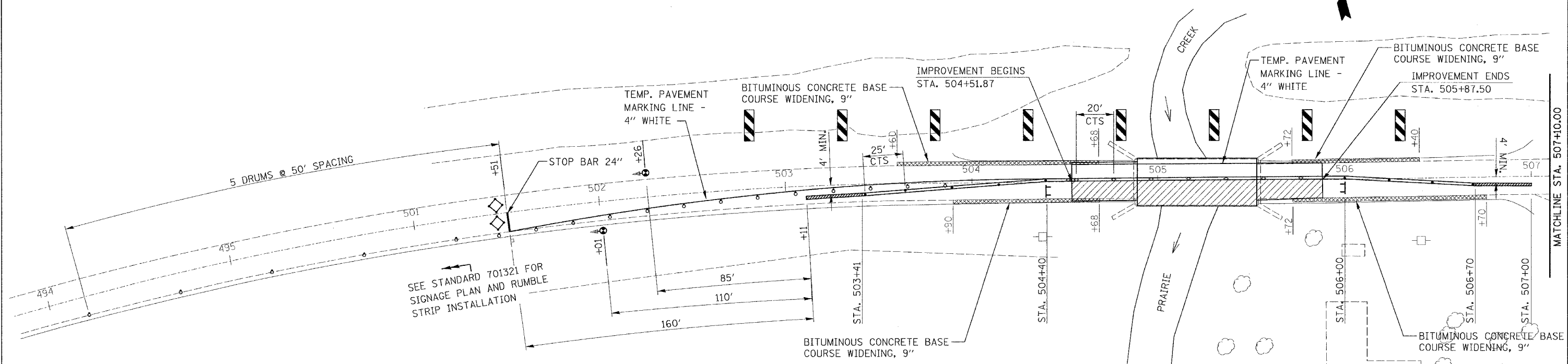
SCALE: NONE
 DATE: 03/24/2006

DRAWN BY: KBF
 CHECKED BY: AJE

PLOT DATE: *DATE-TIME*

F.P. ROUTE	SECTION	COUNTY	TOTAL SHEETS	SHEET NO.
693	(119B-3)I	TAZEWELL	31	7
STA.	TO STA.			
EXISTING CONDITIONS:				
CONTRACT NO. 68415				

STAGE I TRAFFIC CONTROL



NOTES

PRIOR TO INSTALLING TRAFFIC CONTROL DEVICES FOR STAGING OPERATIONS, CONSTRUCT BITUMINOUS BASE COURSE WIDENING LT USING IDOT TRAFFIC CONTROL PROTECTION STANDARD 701326

TRAFFIC CONTROL SHALL CONFORM TO HIGHWAY STANDARD 701321.

CONTRACTOR TO ADJUST TRAFFIC CONTROL AS NECESSARY TO MAINTAIN ACCESS TO ALL PRIVATE AND FIELD ENTRANCES.

- SYMBOLS**
- DRUM WITH STEADY BURNING LIGHT
 - ◑ TRAFFIC SIGNAL
 - INDUCTION LOOP DETECTOR
 - ▨ DOUBLE VERTICAL PANEL
 - ◇ TYPE C BIDIRECTIONAL REFLECTOR
 - STEADY BURNING LIGHTS AND DOUBLE VERTICAL PANELS
 - ▭ TEMPORARY CONCRETE BARRIER
 - ▨ IMPACT ATTENUATOR TEMP., (FULLY REDIRECTIVE), TEST LEVEL 2
 - ⌋ TYPE III BARRICADE
 - ▨ WORK AREA

REVISIONS	
NAME	DATE

ILLINOIS DEPARTMENT OF TRANSPORTATION
**STAGE I TRAFFIC CONTROL
 STANDARD 701321**

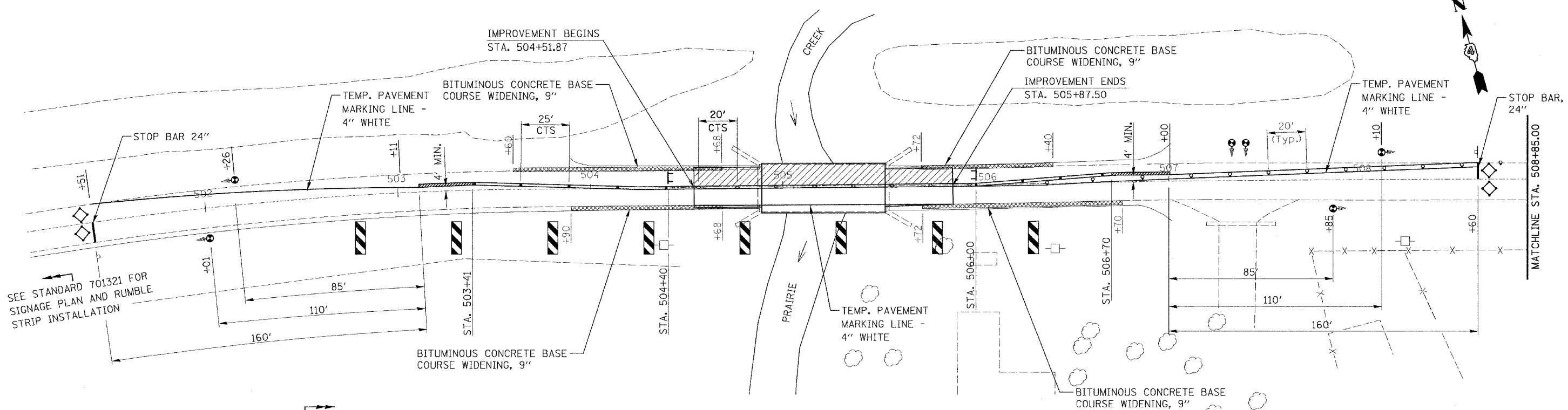
F.A.P. RTE. 693
 SECTION (119B-3)I
 TAZEWELL COUNTY

SCALE: NONE
 DATE: 03/24/2006

DRAWN BY: KBF
 CHECKED BY: AJE

F.P. ROUTE	SECTION	COUNTY	TOTAL SHEETS	SHEET NO.
693	(119B-3)I	TAZEWELL	31	8
STA.	TO STA.			
EXISTING CONDITIONS:				
CONTRACT NO. 68415				

STAGE II TRAFFIC CONTROL



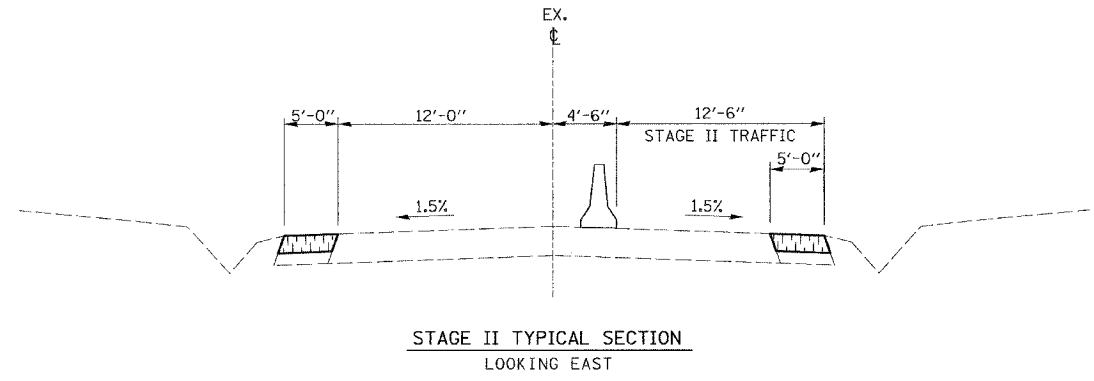
NOTES

TRAFFIC CONTROL SHALL CONFORM TO HIGHWAY STANDARD 701321.

CONTRACTOR TO ADJUST TRAFFIC CONTROL AS NECESSARY TO MAINTAIN ACCESS TO ALL PRIVATE AND FIELD ENTRANCES.

SYMBOLS

- DRUM WITH STEADY BURNING LIGHT
- ◀ TRAFFIC SIGNAL
- ◇ INDUCTION LOOP DETECTOR
- ▨ DOUBLE VERTICAL PANEL
- ◇ TYPE C BIDIRECTIONAL REFLECTOR
- STEADY BURNING LIGHTS AND DOUBLE VERTICAL PANELS
- ▭ TEMPORARY CONCRETE BARRIER
- ▨ IMPACT ATTENUATOR TEMP., (FULLY REDIRECTIVE), TEST LEVEL 2
- ▭ TYPE III BARRICADE
- ▨ WORK AREA



REVISIONS	
NAME	DATE

ILLINOIS DEPARTMENT OF TRANSPORTATION
 STAGE II TRAFFIC CONTROL
 STANDARD 701321
 F.A.P. RTE. 693
 SECTION (119B-3)I
 TAZEWELL COUNTY
 SCALE: NONE
 DATE: 03/24/2006
 DRAWN BY: KBF
 CHECKED BY: AJE

PLOT DATE: *DATE-TIME*

Bench Mark: Brass Plate on Southeast Wingwall Elev. 100.00

Existing Structure: S.N. 090-0061 was originally built in 1928 and rebuilt in 1975 as S.B.I. RTE 164, Section 119-BR-3 at Sta. 505+20. The structure consists of simple span PPC-deck beams on closed abutments on pile supported footings. The bk. to bk. abutment length is 63'-0" and the out to out bridge width is 33'-0". The existing superstructure is to be removed and replaced. Staged construction shall be used during construction.

STATE OF ILLINOIS
DEPARTMENT OF TRANSPORTATION

ROUTE NO.	SECTION	COUNTY	SHEET NO.	TOTAL SHEETS
F.A.P. 693	(119B-3)	TAZEWELL	31	10

SHEET NO. 1
14 SHEETS

Contract # 68415

GENERAL NOTES

Plan dimensions and details relative to existing plans are subject to routine variations. The Contractor shall field verify existing dimensions and details affecting new construction and make necessary approved adjustments prior to construction or ordering of materials. Such variations shall not be cause for additional compensation for a change in scope of the work, however, the Contractor will be paid for the quantity actually furnished based upon the unit price bid for the work.

The top surface of the beams shall be finished according to the IDOT Manual for Fabrication of Precast Prestressed Concrete Products.

Reinforcement bars shall conform to the requirements of ASTM A 706 Gr 60 (IL Modified). See Special Provisions

All construction joints shall be bonded.

The cut strands at each beam end shall be given two coats of zinc dust spray or paint meeting the requirements of ASTM A 780. The zinc dust spray or paint shall be applied before corrosion appears and allowed to dry according to the manufacturer's specifications prior to another coat of zinc. A concrete sealer meeting the requirements of Section 587 of the Standard Specifications shall be applied to the exterior face and 9" in on the underside of the fascia beams. The sealer shall be applied after visible crack growth has subsided. This work shall be performed by the producer and included with the cost of the beam.

The minimum thickness of the Bituminous overlay shall be 2" and varies as required to adjust for the new profile grade and beam camber.

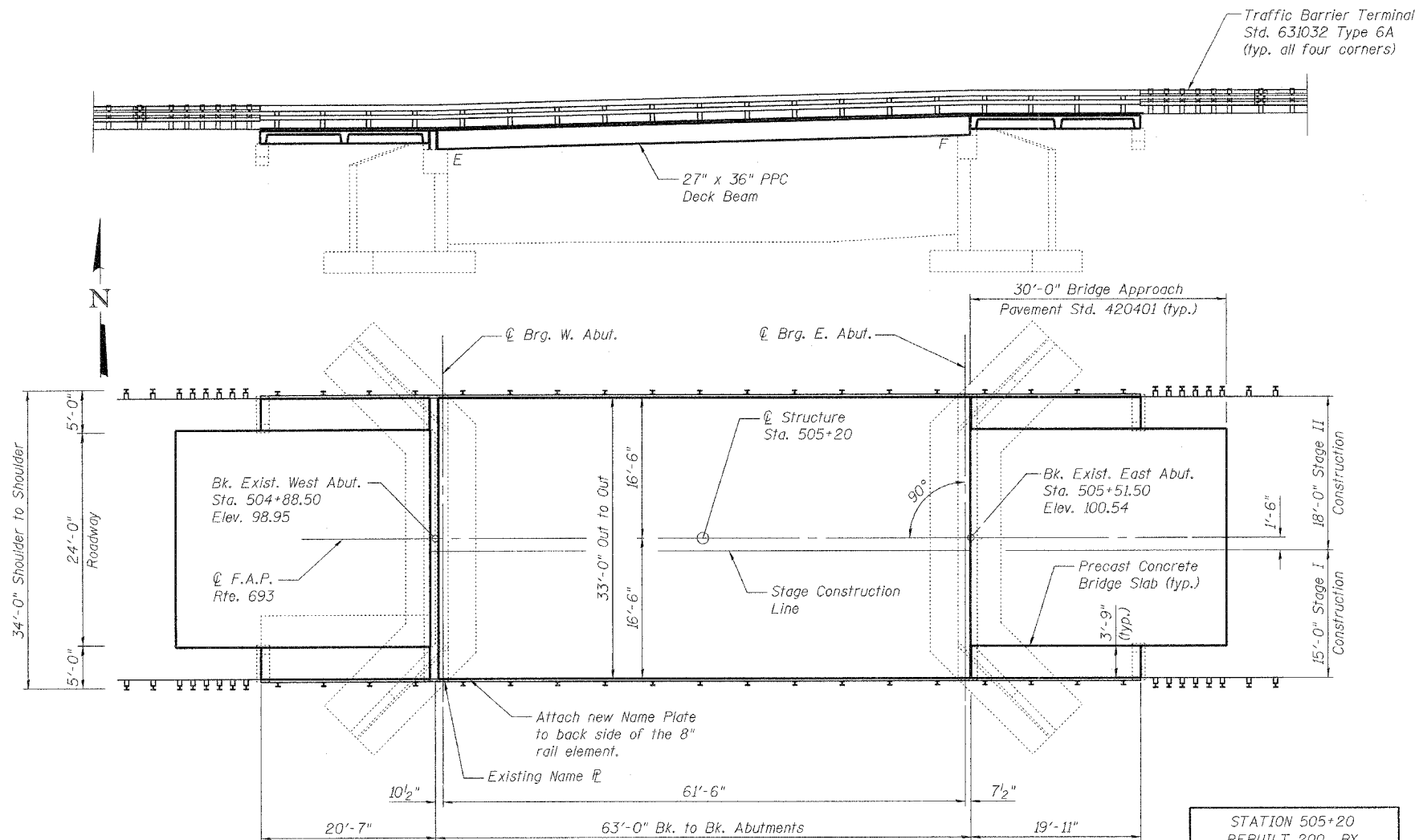
The contractor is advised that the existing PPC Deck Beams are in a deteriorated condition with reduced load carrying capacity. It is the contractor's responsibility to account for the condition of the beams when developing construction procedures for removal and replacement of the superstructure.

If the contractor's procedure for existing beam removal or placement of new beams involves placement of cranes or other heavy equipment on new beams, a detailed procedure shall be submitted to the Engineer for approval. The procedure shall include calculations, prepared and sealed by an Illinois Licensed Structural Engineer, verifying that the equipment and procedure used will not overstress the new beams. To distribute load to multiple beams and protect the concrete, in all cases a double layer mat of heavy timbers shall be used at all times under crane tracks or wheels and any outriggers in the down position. If necessary, shims shall be used under the crane mat to ensure uniform contact with the underlying beams. Prior to placement of the timber mats the following shall be done: placement and tightening of transverse tie assemblies, grouting and curing the dowel rods 24 hours minimum and grouting and curing the shear keys. A temporary means of lateral restraint will be required for fascia beams at expansion ends of beams to prevent movement of the beams.

TOTAL BILL OF MATERIAL

ITEM	UNIT	SUPER	SUB	TOTAL
Removal of Existing Superstructures	Each	1		1
Concrete Removal	Cu. Yd.		2.4	2.4
Preformed Joint Strip Seal	Foot	33		33
Concrete Structures	Cu. Yd.		3.4	3.4
Structural Repair of Concrete (Depth Equal to or Less Than 5")	Sq. Ft.	45.1		45.1
Precast Concrete Bridge Slab	Sq. Ft.	299		299
Precast Prestressed Concrete Deck Beams (27" Depth)	Sq. Ft.	2066		2066
Reinforcement Bars, Epoxy Coated	Pound		450	450
Steel Railing, Type SM	Foot	207		207
Name Plates	Each	1		1
Waterproofing Membrane System	Sq. Yd.	230		230
PC Mortar Fairing Course	Foot	626		626
Hot-mix Asphalt Surface Course, Mix "D", N50	Ton	33.1		33.1
Bar Splicers	Each		8	8

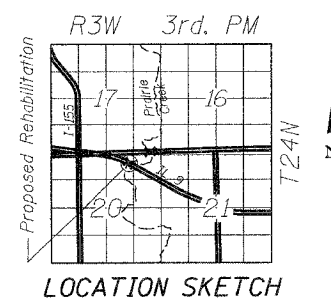
PLAN AND ELEVATION
ILLINOIS ROUTE 9 OVER
PRAIRIE CREEK
F.A.P. ROUTE 693 SECTION (119B-3)
TAZEWELL COUNTY
SN 090-0061



STATION 505+20
REBUILT 200 BY
STATE OF ILLINOIS
F.A.P. RT. 693
SEC. (119B-3)
LOADING HS-20
STR. NO. 090-0061

NAME PLATE
See Std. 515001

Existing Name Plate shall be cleaned and relocated adjacent to new Name Plate. Cost included with Name Plates.



Index of Sheets

1. Plan and Elevation
2. Stage Construction
3. Temporary Concrete Barrier and Stage Construction Details
4. Superstructure
5. Precast Concrete Bridge Slab
6. Superstructure Details
7. Type SM Steel Bridge Rail Side Mounted
8. Bridge Rail Details
9. Preformed Joint Strip Seal
10. Concrete Removal
11. West Abutment
12. East Abutment
13. Substructure Details
14. Bar Splicer Assembly Details

LOADING HS20-44

No Allowance for Future Wearing Surface

DESIGN SPECIFICATIONS

2002 AASHTO 17th Edition

DESIGN STRESSES

FIELD UNITS

$f'_c = 3,500$ psi
 $f_y = 60,000$ psi (reinforcement)

PRECAST PRESTRESSED UNITS

$f'_c = 5,000$ psi
 $f'_{ci} = 4,000$ psi
 $f'_s = 270,000$ psi ($\frac{1}{2}$ " ϕ Low Relaxation Strands)
 $f'_{si} = 201,960$ psi ($\frac{1}{2}$ " ϕ Low Relaxation Strands)

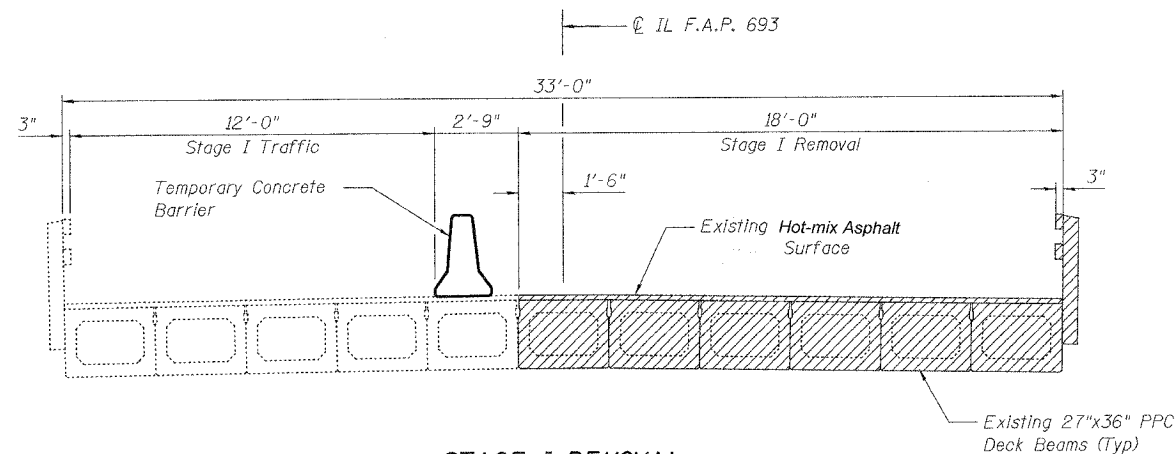
PRECAST CONCRETE BRIDGE SLAB UNITS

$f'_c = 4,500$ psi
 $f_y = 60,000$ psi (reinforcement)

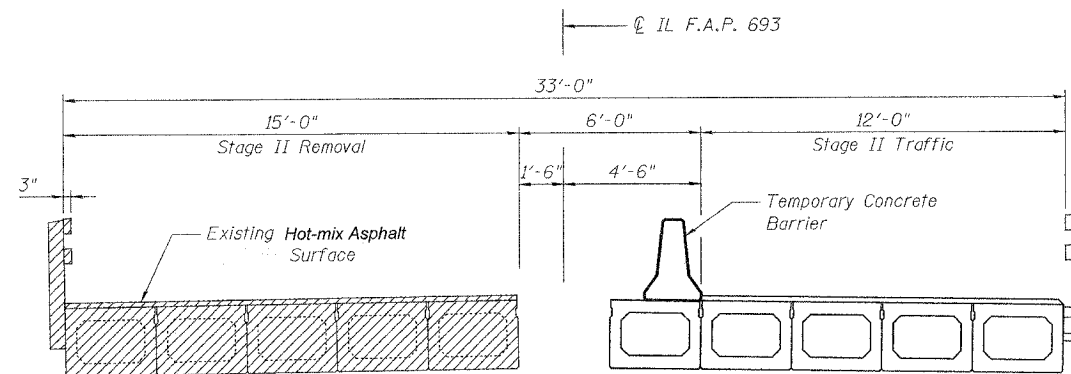
DESIGNED BWP	THOUVENOT, WADE & MOERCHEN, INC. ENGINEERS • SURVEYORS • PLANNERS CORPORATE OFFICE: 3940 GUY COLLIERVILLE RD. SWANSEA, ILLINOIS 62226 TEL: (618) 624-4488 FAX: (618) 624-6888 E-MAIL: corp@twm-inc.com
CHECKED ALN	
DRAWN BWP	
CHECKED KPC	

STATE OF ILLINOIS
DEPARTMENT OF TRANSPORTATION

ROUTE NO.	SECTION	COUNTY	SHEETS	SHEET NO.	SHEET NO. 2 14 SHEETS
F.A.P. 693	(119B-31)	TAZEWELL	31	11	
FED. ROAD DIST. NO. 7	ILLINOIS	FED. AID PROJECT-			
Contract # 68415					

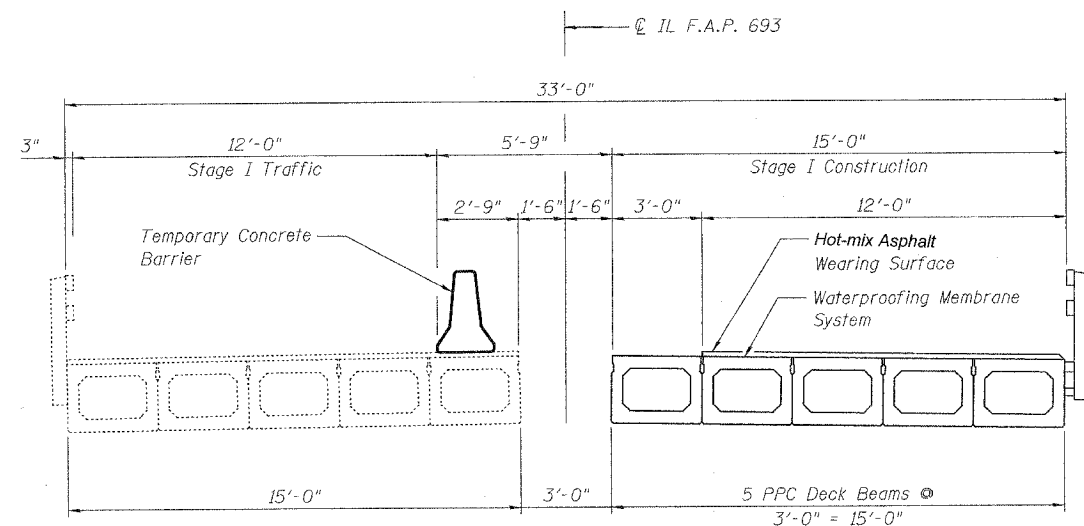


STAGE I REMOVAL
(LOOKING UPSTATION)

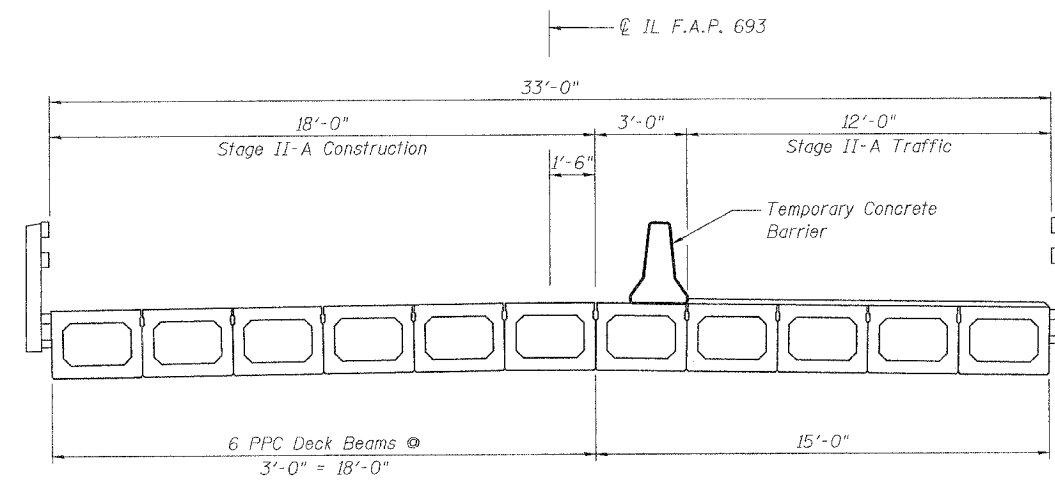


STAGE II REMOVAL
(LOOKING UPSTATION)

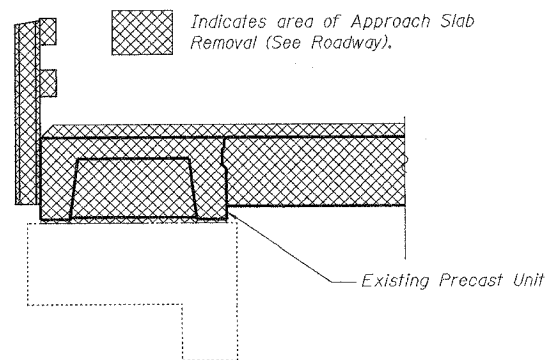
Indicates Removal of Existing Superstructures



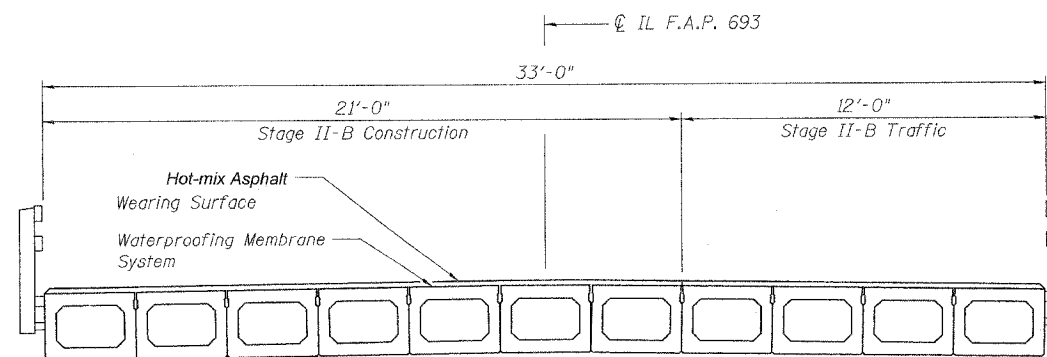
STAGE I CONSTRUCTION
(LOOKING UPSTATION)



STAGE II-A CONSTRUCTION
(LOOKING UPSTATION)



TYPICAL APPROACH REMOVAL SECTION



STAGE II-B CONSTRUCTION
(LOOKING UPSTATION)

Notes:
For details of Temporary Concrete Barrier and limits of Waterproofing Membrane System, see Sheet 3 of 14.

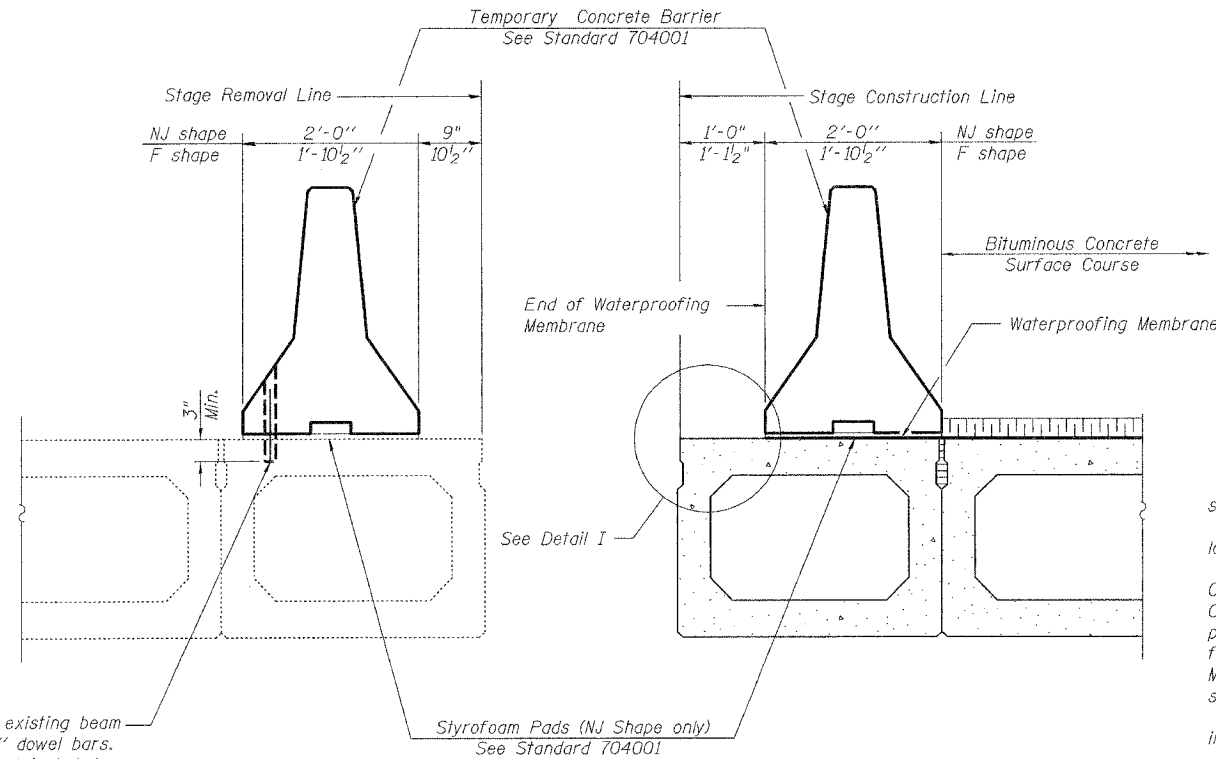
STAGE CONSTRUCTION
ILLINOIS ROUTE 9 OVER
PRAIRIE CREEK
F.A.P. ROUTE 693 SECTION (119B-31)
TAZEWELL COUNTY
SN 090-0061

DESIGNED BWP	THOUVENOT, WADE & MOERCHEN, INC. ENGINEERS • SURVEYORS • PLANNERS CORPORATE OFFICE 4940 OLD COLLINGSVILLE RD. SPRINGFIELD, ILLINOIS 62226 TEL. (618) 624-4488 FAX (618) 624-6688 E-MAIL: COWI@TWM-INC.COM
CHECKED ALN	
DRAWN BWP	
CHECKED KPC	

STATE OF ILLINOIS
DEPARTMENT OF TRANSPORTATION

ROUTE NO.	SECTION	COUNTY	SHEET NO.	SHEET	SHEET NO.
F.A.P. 693	(119B-3)I	TAZEWELL	31	12	14 SHEETS
FED. ROAD DIST. NO. 7	ILLINOIS	FED. AID PROJECT			

Contract #68415

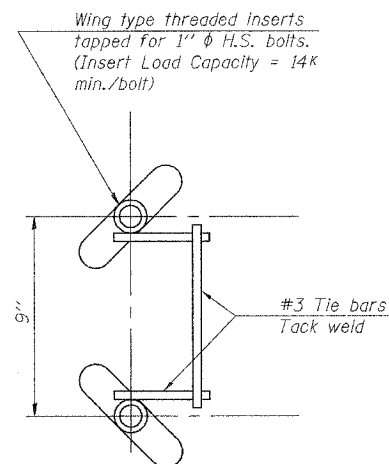


Drill 1/4" ϕ Holes in existing beam for 1" ϕ x 10" dowel bars. Traffic side only. Cost included with Temporary Concrete Barrier.

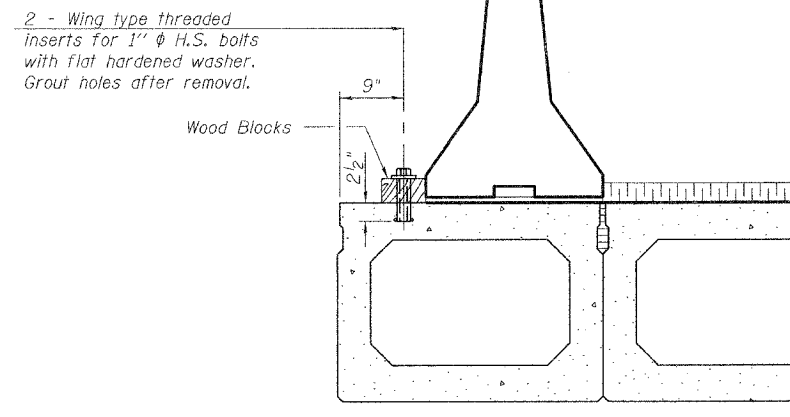
EXISTING PPC DECK BEAMS

NEW PPC DECK BEAMS

SECTIONS THRU PPC DECK BEAMS



INSERT DETAIL

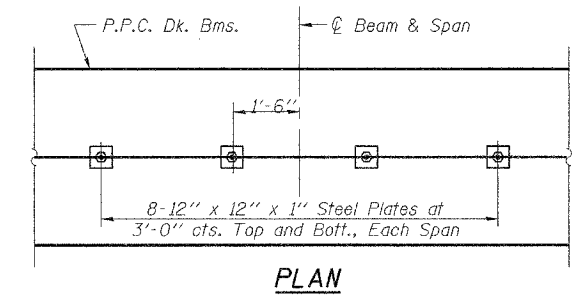


DETAIL I

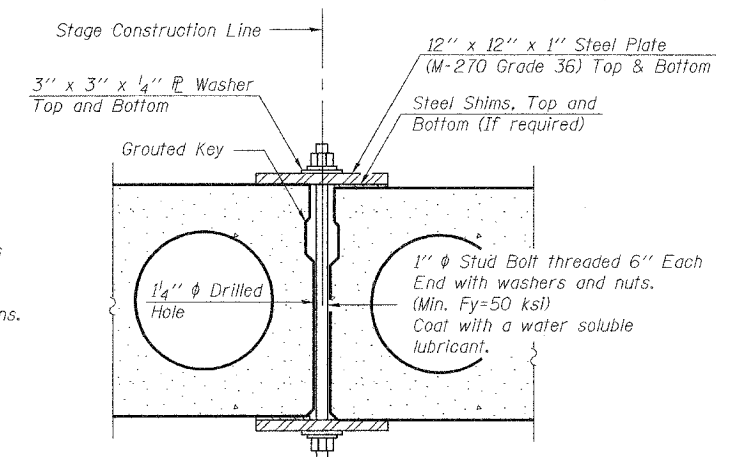
The Temporary Concrete Barrier and wood blocks shall not be removed until Stage II Construction PPC Deck Beams have been placed and shear keys grouted.

NOTES

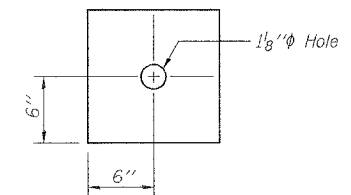
The 1" ϕ high strength bolts used to connect the wood blocks shall be tightened to a snug fit without crushing the wood block. The wing type threaded insert assembly shall be spaced 6'-0" longitudinally.
The Waterproofing Membrane shall extend under the Temporary Concrete Barrier without the asphalt sand seal protection layer. Once the Temporary Concrete Barrier has been removed, and the penetrating primer, coal tar emulsion, coal tar emulsion and fiberglass fabric, and coal tar emulsion slurry layers of the Waterproofing Membrane is lapped 6", the asphalt sand seal protection layer shall be applied according to Article 581 of the Standard Specifications.
The cost for H.S. bolts, flat headed washers, and wood block is included with Temporary Concrete Barrier.
The cost for wing type threaded inserts is included with Precast Prestressed Concrete Deck Beams (27" Depth).



PLAN



SECTION



CLAMPING PLATE

SHEAR KEY CLAMPING DETAILS AT STAGE CONST. JT.

Cost included with Precast Prestressed Concrete Deck Beams (27" Depth).
See Stage Construction Details for traffic lanes.
See Article 504.06 (d) of the Standard Specifications For Stage Construction of Precast Prestressed Concrete Deck Beams.

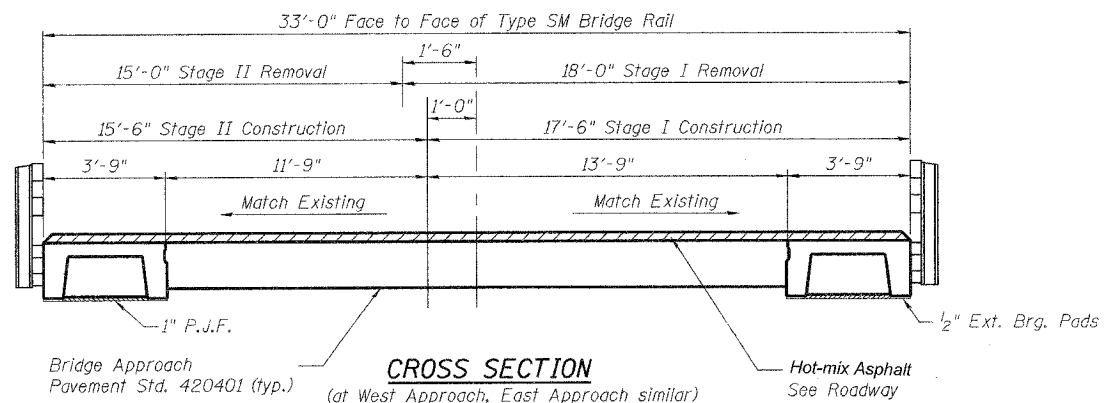
TEMPORARY CONCRETE BARRIER AND
STAGE CONSTRUCTION DETAILS
ILLINOIS ROUTE 9 OVER
PRAIRIE CREEK
F.A.P. ROUTE 693 SECTION (119B-3)I
TAZEWELL COUNTY
SN 090-0061

DESIGNED BWP	THOUVENOT, WADE & MOERCHEN, INC. ENGINEERS • SURVEYORS • PLANNERS CORPORATE OFFICE 4740 OLD ILLINOISVILLE RD. SWANSEA, ILLINOIS 62226 TEL: (618) 624-6698 FAX: (618) 624-6698 E-MAIL: corp@twm-inc.com
CHECKED ALN	
DRAWN BWP	
CHECKED KPC	

STATE OF ILLINOIS
DEPARTMENT OF TRANSPORTATION

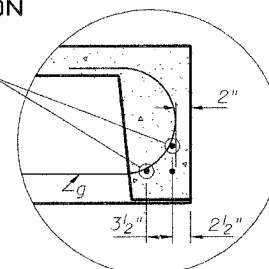
ROUTE NO.	SECTION	COUNTY	TOTAL SHEETS	SHEET NO.
F.A.P. 693	(119B-3)I	TAZEWELL	31	14
FED. ROAD DIST. NO. 7	ILLINOIS	FED. AID PROJECT		

SHEET NO. 5
14 SHEETS



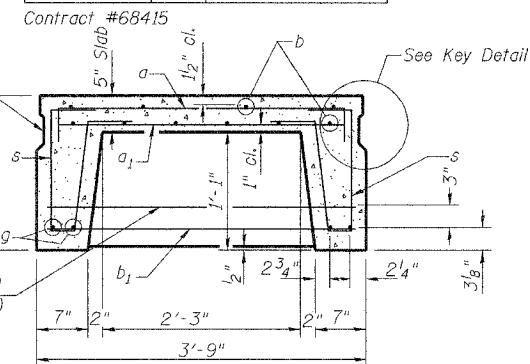
Exterior Corners
16-1/2" Fabric Pads Req'd.
BEARING PADS

Weld ends of g bars
to b₁ bars with
full bead weld

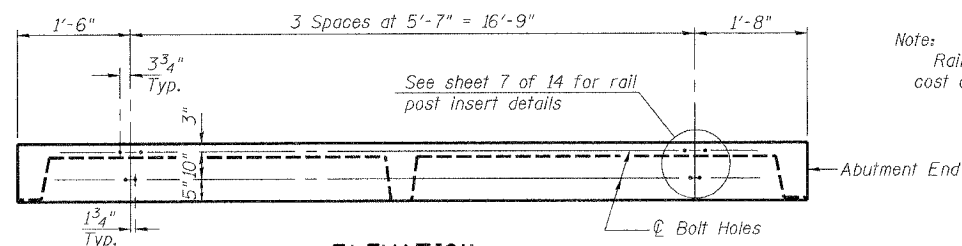


Note:
The surface of the member shall not deviate more than 1/1200
of the full length of the member from a straight line connecting the
two end points on the member's surface. In addition to State
inspection and prior to erection, the beam shall be tested and
approved by the resident Engineer at the jobsite.

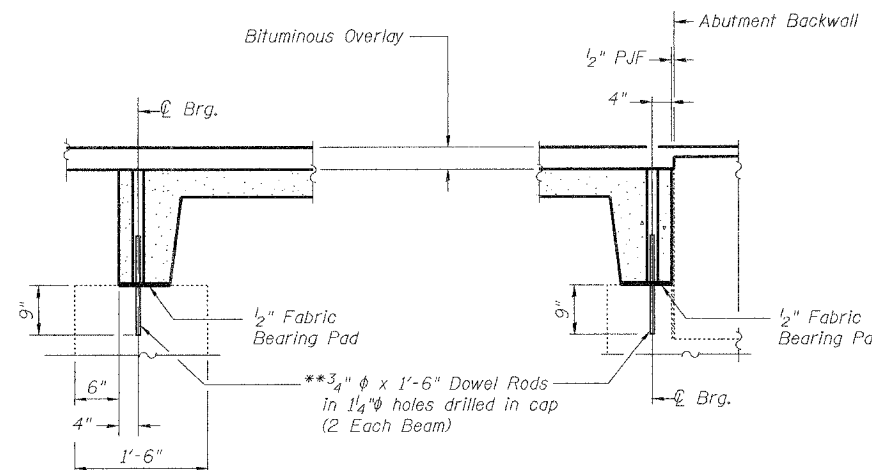
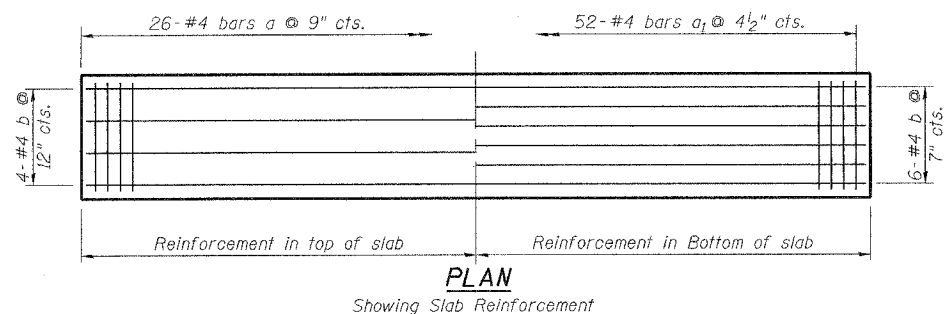
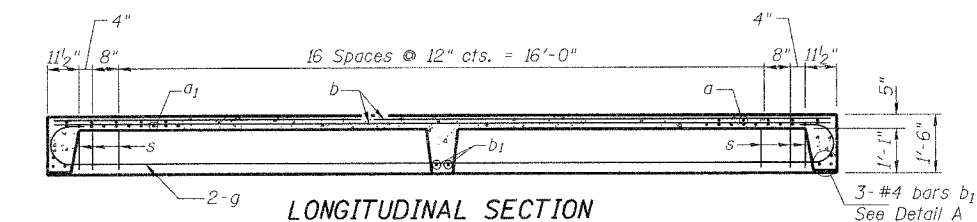
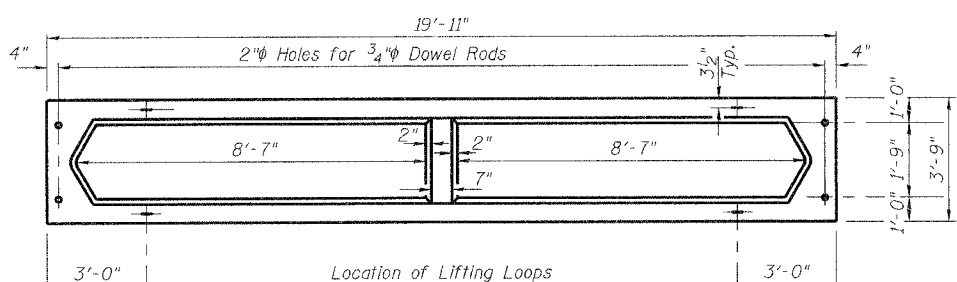
The units shall remain in the bottom supporting forms until the
concrete has attained a compressive strength of no less than
3,500 pounds per square inch.



TYPICAL SECTION THRU BEAM



Note:
Rail post inserts are included in the
cost of Precast Concrete Bridge Slab.

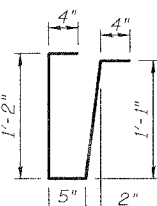


TYPICAL SECTION THROUGH EXISTING NELSON BEAM FOUNDATION

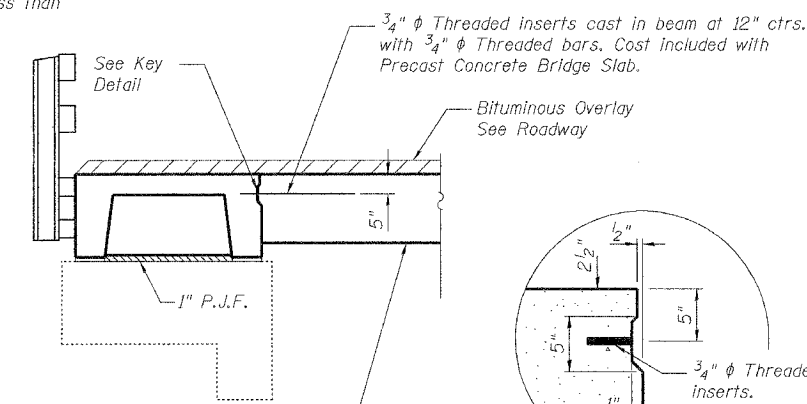
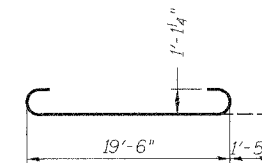
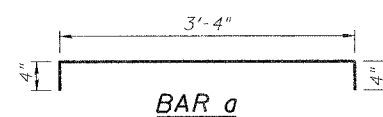
SECTION THROUGH WEST ABUTMENT
(East Abutment Similar)

** Dowel Rods to be grouted
after beams are in place and
allowed to cure (Min. 24 hrs.)
prior to placing approach slab.

Note:
Burn existing dowel rods flush with existing
surface. Grind existing dowel rods smooth
and seal with epoxy. Cost is included with
Removal of Existing Superstructures.

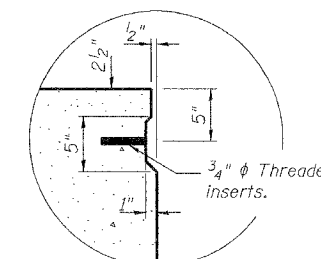


Note:
Tack welding of stirrups to bottom longitudinal
reinforcement bars will not be permitted except as
otherwise authorized in writing by the Engineer.

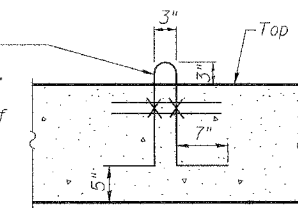


Bridge Approach
Pavement Std. 420401 (typ.)

NELSON BEAM CONNECTOR DETAIL



2-1/2" Strands/Loop, 2 Ea. End,
Ea. Beam. Loop shall be burned
off after beams have been erected.
Strands shall conform to the
requirements to the requirements of
AASHTO M 203.



Approved alternate may be
substituted for the above.

BILL OF MATERIAL

ITEM	Unit	Shape
Precast Concrete Bridge Slab	Sq. Ft.	299

NELSON BEAM DETAILS
ILLINOIS ROUTE 9 OVER
PRAIRIE CREEK
F.A.P. ROUTE 693 SECTION (119B-3)I
TAZEWELL COUNTY
SN 090-0061

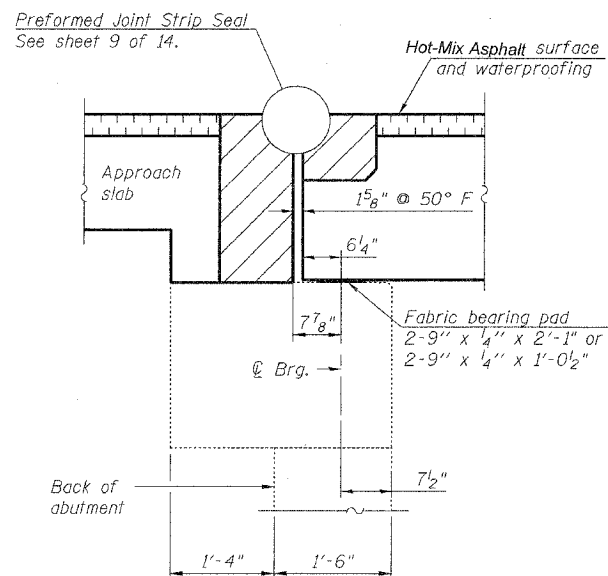
DESIGNED BWP	THOUVENOT, WADE & MOERCHEN, INC. ENGINEERS • SURVEYORS • PLANNERS CORPORATE OFFICE 4940 OLD COLLINGSVILLE RD. SWANSEA, ILLINOIS 62225 TEL: (618) 524-1400 FAX: (618) 624-6600 E-Mail: tcorp@twm-ill.com
CHECKED ALN	
DRAWN BWP	
CHECKED KPC	

STATE OF ILLINOIS
DEPARTMENT OF TRANSPORTATION

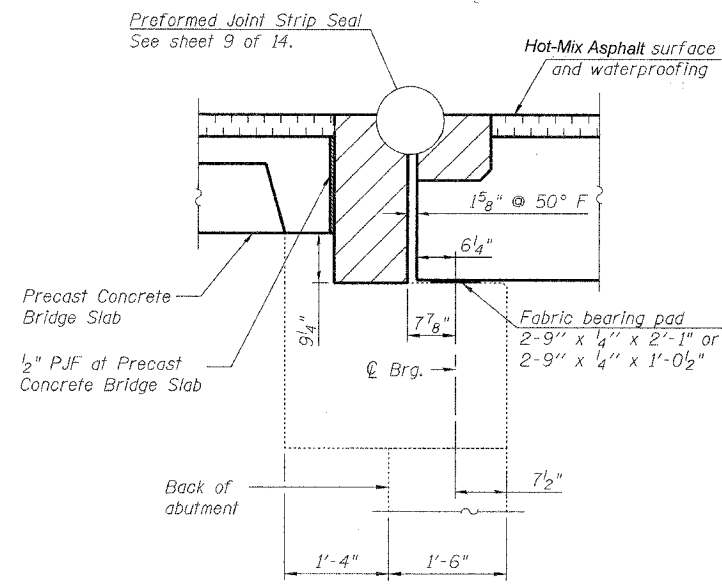
ROUTE NO.	SECTION	COUNTY	TOTAL SHEETS	SHEET NO.
F.A.P. 693	(119B-3)I	TAZEWELL	31	15
FED. ROAD DIST. NO. 7	ILLINOIS	FED. AID PROJECT		

SHEET NO. 6
14 SHEETS

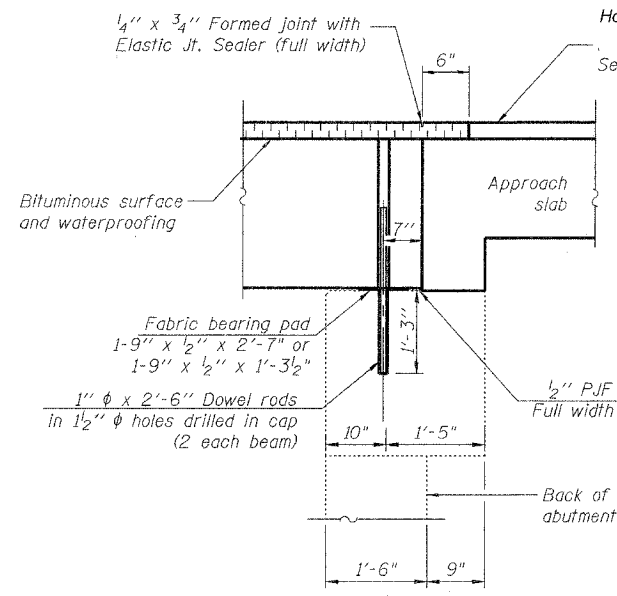
Contract #68415



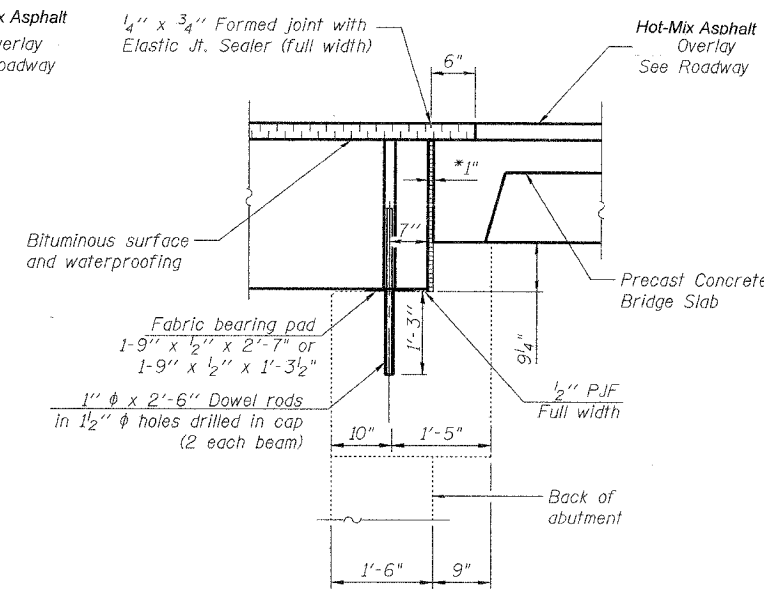
SECTION THRU WEST ABUTMENT



SECTION THRU WEST ABUTMENT
(At outside precast unit)

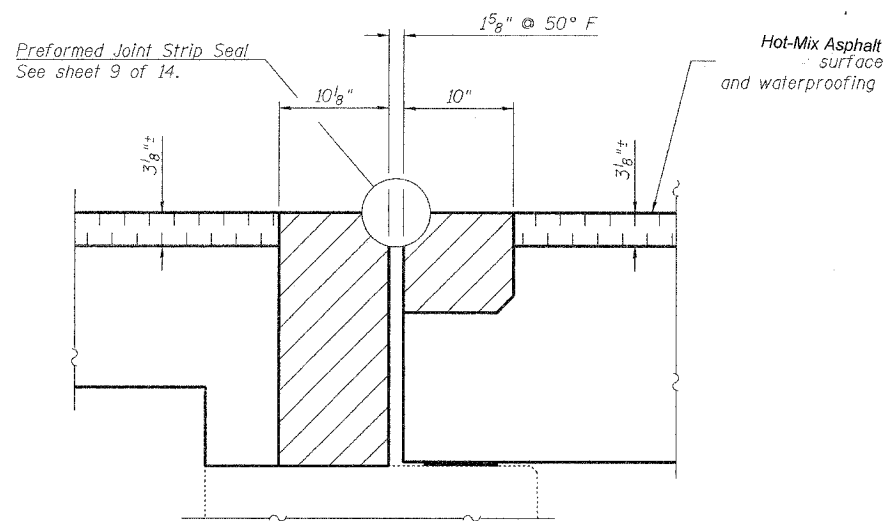


SECTION THRU EAST ABUTMENT



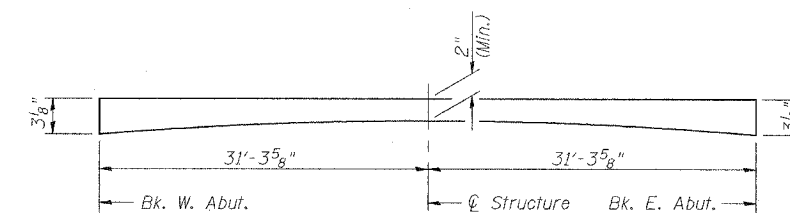
SECTION THRU EAST ABUTMENT
(At outside precast unit)

* 1" joint shall be filled with non-shrink grout.
1" dimension may vary to accommodate tolerance in beam lengths.



Bituminous Surface Detail
(At West Abutment)

Notes:
Ends of beams shall be aligned at the expansion joint. Any linear variation in the beam lengths shall be placed at the fixed joint.
After beams have been erected, temporary retainers shall be installed, holes shall be drilled into substructure and anchor dowels placed. Dowel holes shall be filled with non-shrink grout to top of beam and allowed to cure min. 24 hrs. prior to grouting the shear keys.
Hatched area to be poured after beams are in place and keyways grouted and cured. Quantity included with Concrete Structures on Sheet 11 of 14.
Dowel rods drilled in cap are included in the cost of Precast Prestressed Concrete Deck Beams (27" Depth).
All horizontal dimensions are at right angles to beam ends.
See sheet 4 of 14 for bearing pad details.



HOT-MIX ASPHALT WEARING SURFACE PROFILE

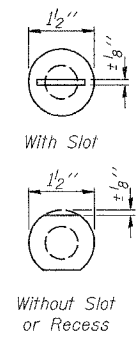
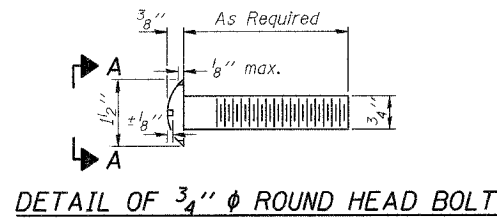
DESIGNED BWP	THOUVENOT, WADE & MOERCHEN, INC. ENGINEERS • SURVEYORS • PLANNERS CORPORATE OFFICE 4940 OLD COLLINGSVILLE RD. SPRINGFIELD, ILLINOIS 62726 TEL (618) 624-4688 FAX (618) 624-4689 E-MAIL: CORP@TWM-INC.COM
CHECKED ALN	
DRAWN BWP	
CHECKED KPC	

SUPERSTRUCTURE DETAILS
ILLINOIS ROUTE 9 OVER
PRAIRIE CREEK
F.A.P. ROUTE 693 SECTION (119B-3)I
TAZEWELL COUNTY
SN 090-0061

STATE OF ILLINOIS
DEPARTMENT OF TRANSPORTATION

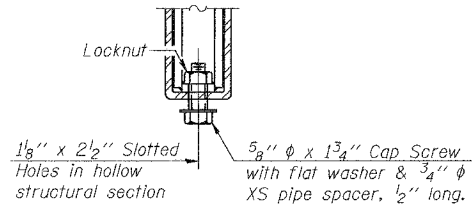
ROUTE NO.	SECTION	COUNTY	TOTAL SHEETS	SHEET NO.	SHEET NO. 7
F.A.P. 693	(119B-31)	TAZEWELL	34	16	14 SHEETS
FED. ROAD DIST. NO. 7	BUILDING	FED. AID PROJECT			

Contract #68415

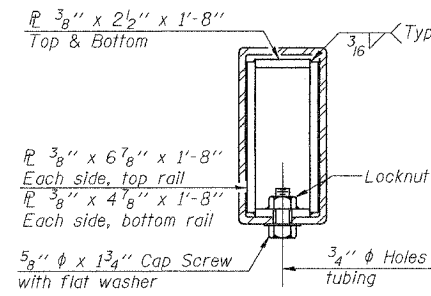


VIEW A-A

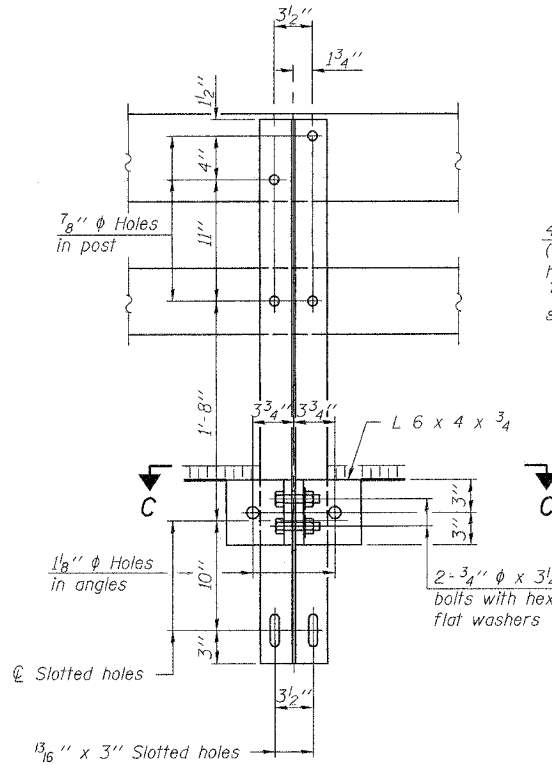
4-3/4" ϕ x 6" Round Head Bolts (With slot or approved recess in head) with locknut & flat washer. 7/8" ϕ holes in hollow structural section may be drilled in the field.



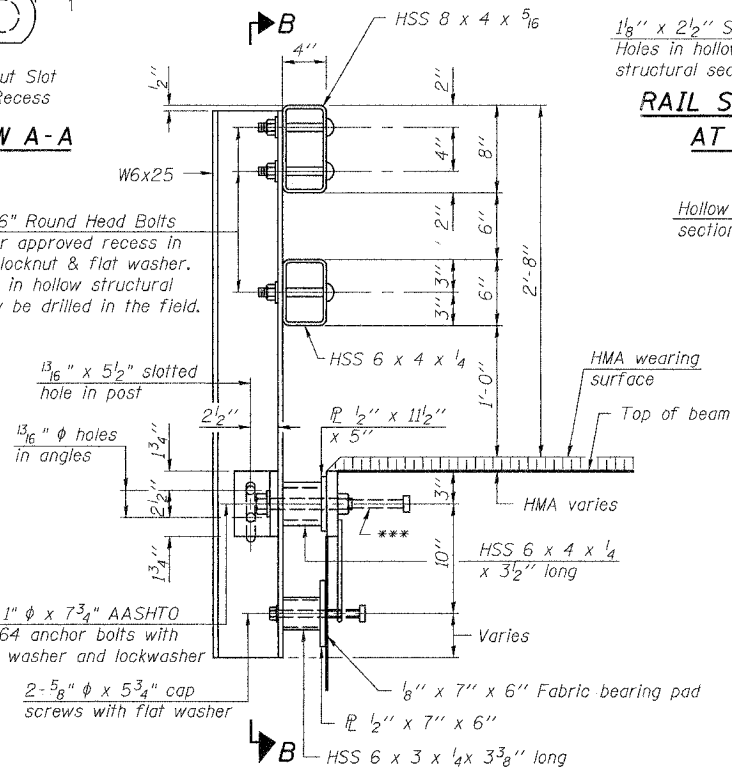
RAIL SPLICE CONNECTION AT EXPANSION JT.



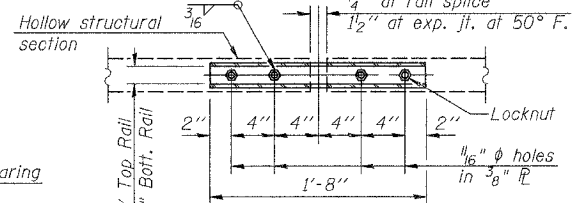
SECTION AT RAIL SPLICE



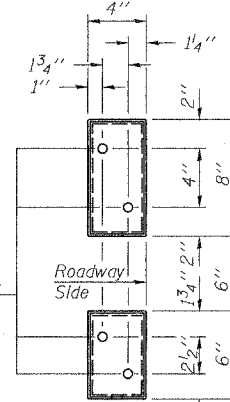
SECTION B-B



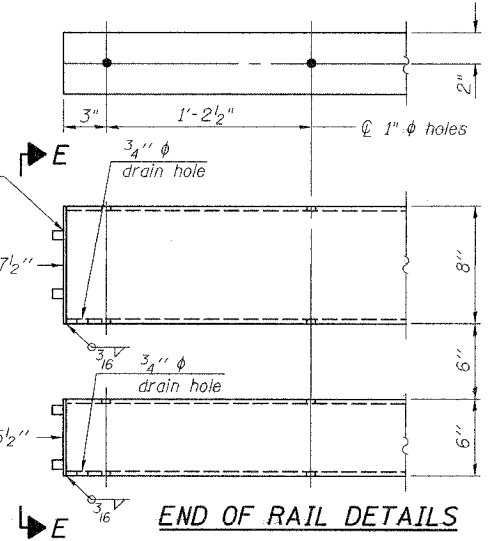
SECTION AT RAIL POST



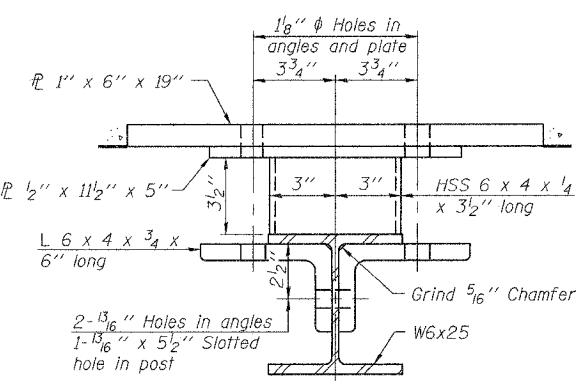
PLAN-BOTT. SPLICE TYPICAL



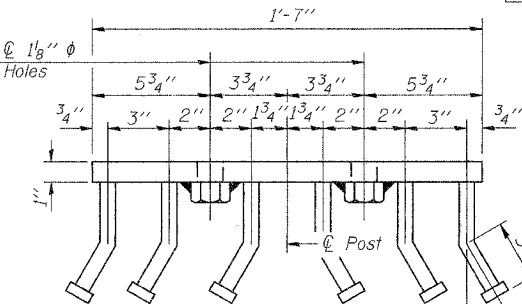
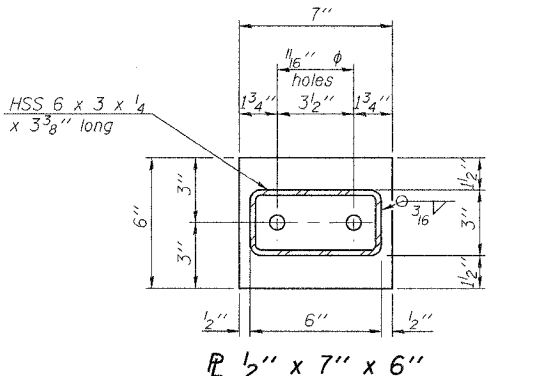
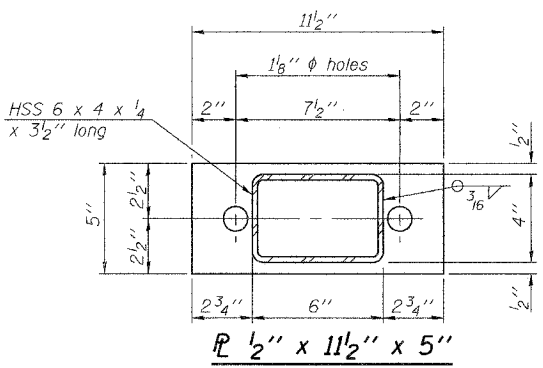
VIEW E-E



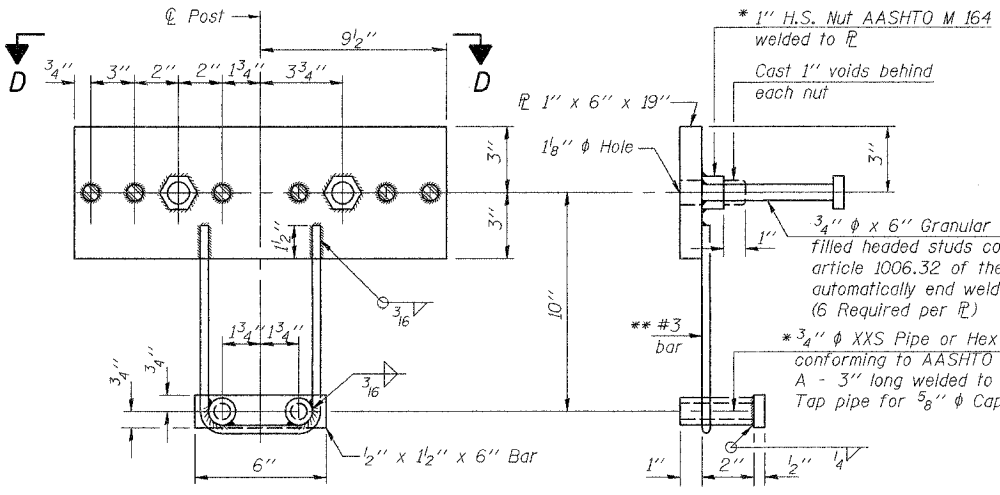
END OF RAIL DETAILS



SECTION C-C



VIEW D-D



ANCHOR DEVICE

Notes:
All field drilled holes shall be coated with an approved zinc rich paint before erection.
For multi-span bridges, sufficient 1/4" x 6" x 1'-2" galvanized steel shims shall be provided to align rail between adjacent spans. Cost included with Steel Bridge Rail, Type SM.
All steel rail members shall be galvanized according to Article 509.05 of the Standard Specifications.
*** The studs of the anchor devices shall be placed below the top reinforcement bars and the outermost longitudinal reinforcement bar shall be placed directly above the studs of the rail post anchor device.

BILL OF MATERIAL

Item	Unit	Quantity
Steel Railing, Type SM	Foot	207

STEEL RAILING, TYPE SM
WITH HOT-MIX ASPHALT
WEARING SURFACE
ILLINOIS ROUTE 9 OVER
PRAIRIE CREEK
F.A.P. ROUTE 693 SECTION (119B-31)
TAZEWELL COUNTY
SN 090-0061

DESIGNED BWP	THOUVENOT, WADE & MOERCHEN, INC. ENGINEERS • SURVEYORS • PLANNERS CORPORATE OFFICE 4940 OLD COLUMBIAN RD. SHAMUSA, ILLINOIS 62226 TEL: (618) 624-4488 FAX: (618) 624-6688 E-MAIL: TWM@TWM-INC.COM
CHECKED KPC	
DRAWN BWP	
CHECKED KPC	
R-34HMAWS	

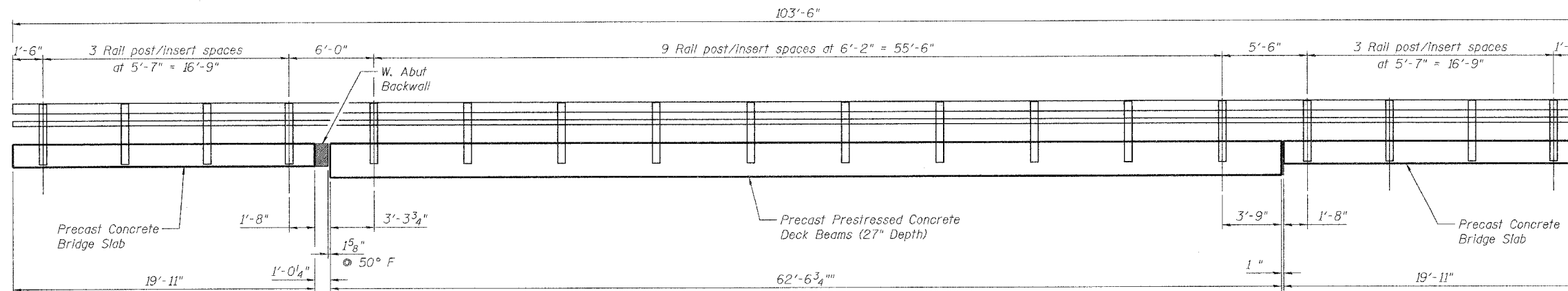
11-1-06 (6'-3" Maximum Post Spacing) (1/4" minimum to 3/8" maximum HMA thickness)

* Threaded areas shall be plugged or blocked off during casting of beam. Galvanized after fabrication.
** Whenever the lower insert assemblies interfere with strand locations, the #3 bars shall be cut and adjusted in order to allow raising or lowering of the lower inserts. Maximum adjustment not to exceed 1/2".

STATE OF ILLINOIS
DEPARTMENT OF TRANSPORTATION


ROUTE NO.	SECTION	COUNTY	SHEET NO.	SHEET	SHEET NO. 8 14 SHEETS
F.A.P. 693	(119B-3)I	TAZEWELL	31	17	
FED. ROAD DIST. NO. 7	ILLINOIS	FED. AID PROJECT-			

Contract #68415



RAIL POST SPACING

(Looking North)

DESIGNED <i>BWP</i>	THOUVENOT, WADE & MOERCHEN, INC. ENGINEERS • SURVEYORS • PLANNERS  CORPORATE OFFICE 4510 OLD COLLEGEVILLE RD. SPRINGFIELD, ILLINOIS 62226 TEL: (618) 624-4499 FAX: (618) 624-6088 E-MAIL: ocorp@twm-ill.com
CHECKED <i>KPC</i>	
DRAWN <i>BWP</i>	
CHECKED <i>KPC</i>	

BRIDGE RAIL DETAILS
ILLINOIS ROUTE 9 OVER
PRAIRIE CREEK
F.A.P. ROUTE 693 SECTION (119B-3)I
TAZEWELL COUNTY
SN 090-0061

STATE OF ILLINOIS
DEPARTMENT OF TRANSPORTATION

ROUTE NO.	SECTION	COUNTY	SHEET NO.	SHEET	SHEET NO.
F.A.P. 693	(119B-3)I	TAZEWELL	31	18	14 SHEETS
FED. ROAD DIST. NO. 7	ILLINOIS	FED. AID PROJECT			

Contract # 68415

GENERAL NOTES

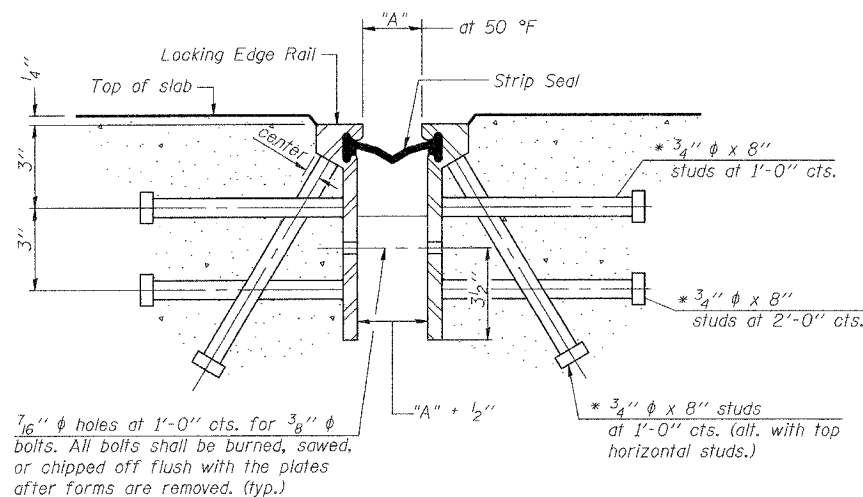
The strip seal shall be made continuous and shall have a minimum thickness of 1/4". The configuration of the strip seal shall match the configuration of the Locking Edge Rails.

The height and thickness of the Locking Edge Rails shown are minimum dimensions. The actual configuration of the Locking Edge Rails and matching strip seal may vary from manufacturer to manufacturer. Flanged edge rails will not be allowed.

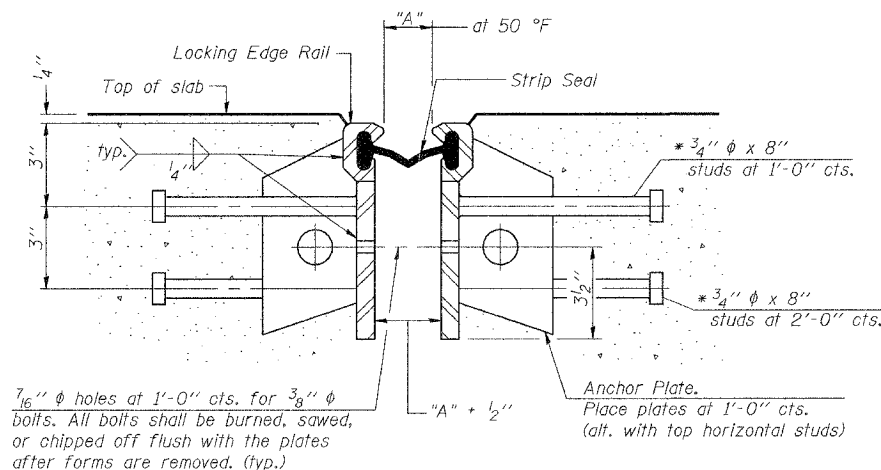
Locking Edge Rails may be spliced at slope discontinuities and stage construction joints.

The manufacturer's recommended installation methods shall be followed.

All steel components shall be galvanized after fabrication according to Article 520.03 of the Standard Specifications.



Required Strip Seal rated movement	"A"
1"	1 1/8"



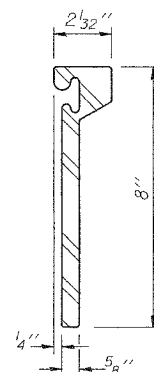
SECTION THRU ROLLED RAIL EXP. JOINT

(88 Studs Required-Stage I)
(74 Studs Required-Stage II)

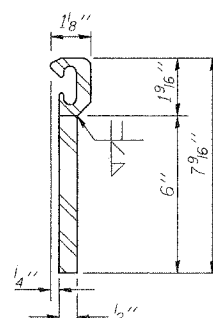
* Granular or solid flux filled headed studs conforming to Article 1006.32 of the Std. Specs., automatically end welded.

SECTION THRU WELDED RAIL EXP. JOINT

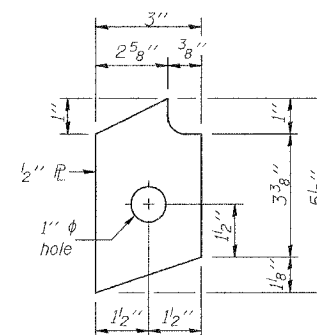
(54 Studs Required-Stage I, 46 Studs Required-Stage II)
(34 Anchor Plates Required-Stage I), (28 Anchor Plates Required-Stage II)



ROLLED (EXTRUDED) RAIL

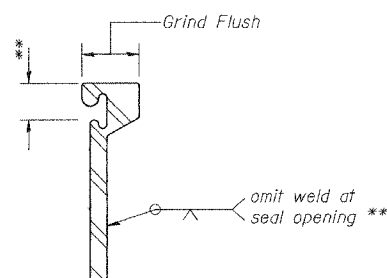


WELDED RAIL



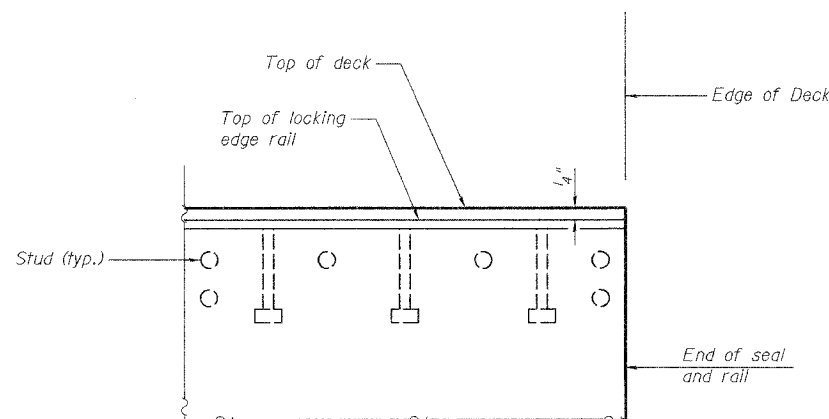
ANCHOR PLATE
(for welded rail)

LOCKING EDGE RAILS



LOCKING EDGE RAIL SPLICE

The inside of the locking edge rail groove shall be free of weld residue.



END TREATMENT ELEVATION

(Showing Rolled Rail, Welded Rail Similar)

DESIGNED BWP	THOUVENOT, WADE & MOERCHEN, INC. ENGINEERS • SURVEYORS • PLANNERS CORPORATE OFFICE 4919 OLD COLLINGSVILLE RD. SWANSEA, ILLINOIS 62226 TEL. (618) 624-4488 FAX (618) 624-6688 E-MAIL: corp@twm-inc.com
CHECKED ALN	
DRAWN BWP	
CHECKED KPC	

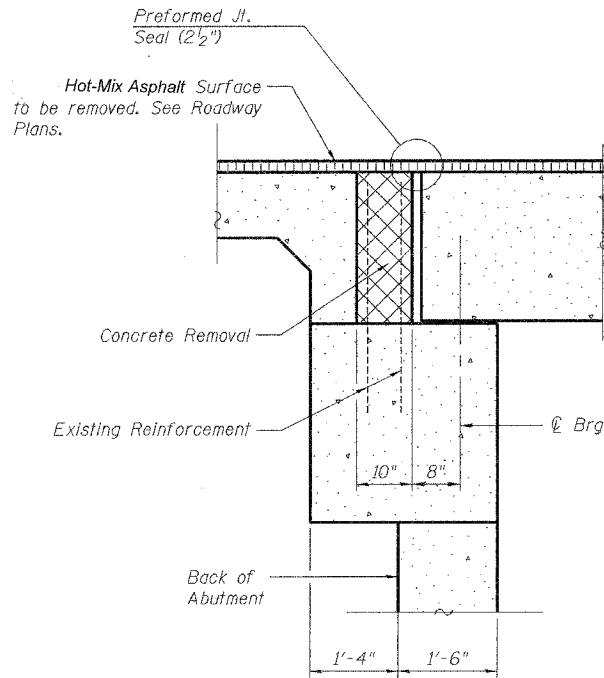
PREFORMED JOINT STRIP SEAL
ILLINOIS ROUTE 9 OVER
PRAIRIE CREEK
F.A.P. ROUTE 693 SECTION (119B-3)I
TAZEWELL COUNTY
SN 090-0061

STATE OF ILLINOIS
DEPARTMENT OF TRANSPORTATION

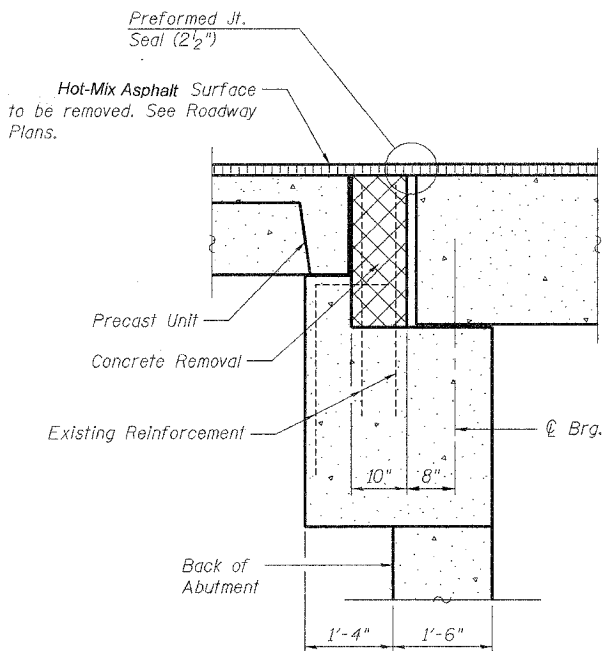
ROUTE NO.	SECTION	COUNTY	SHEET NO.	SHEET NO.
F.A.P. 693	119-BR-3	TAZEWELL	31	19
FED. ROAD DIST. NO. 7		ILLINOIS	FED. AID PROJECT	

Contract #68415

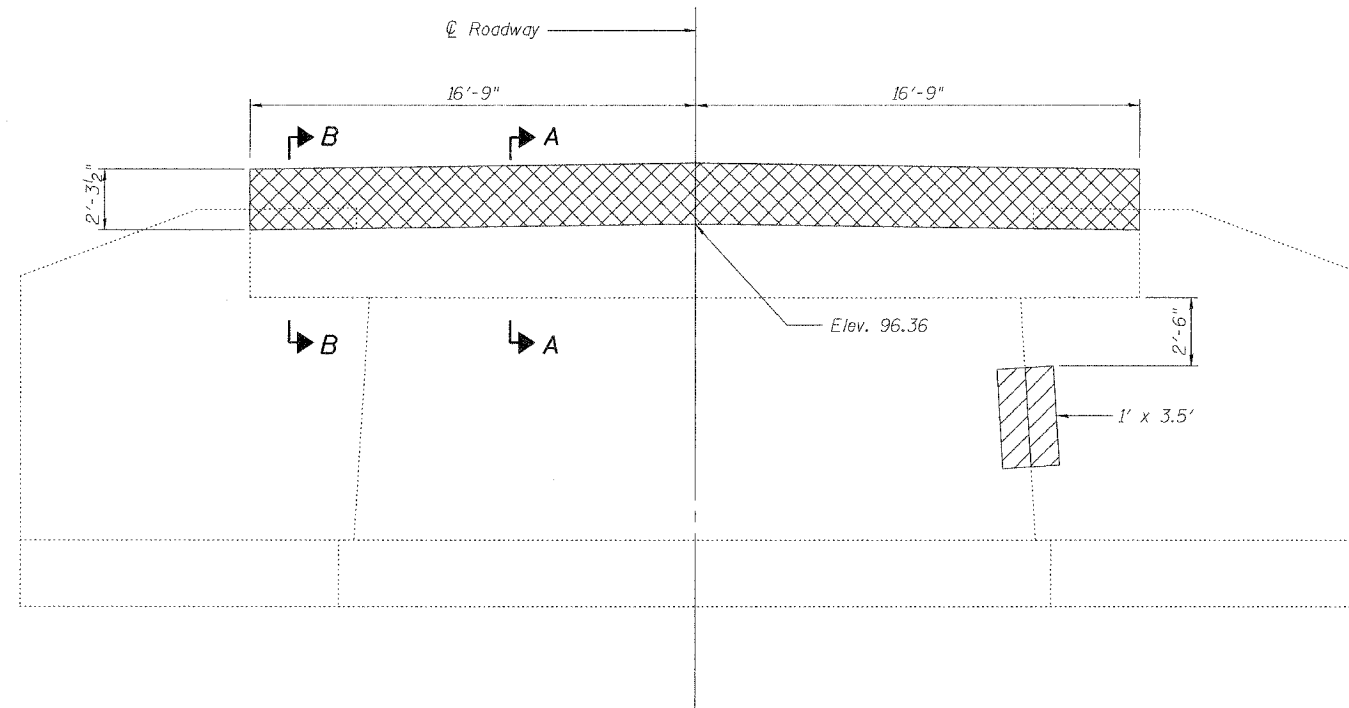
Notes:
Existing reinforcement extending into removal areas shall be cleaned, straightened, and incorporated into new construction. Cost included with Concrete Removal.



SECTION A-A



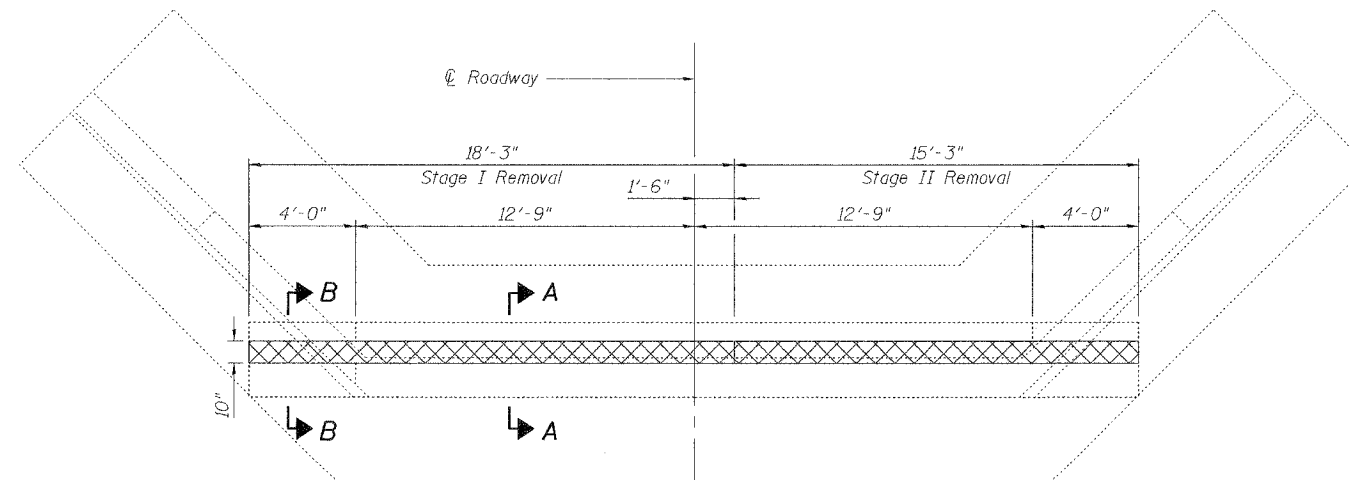
SECTION B-B



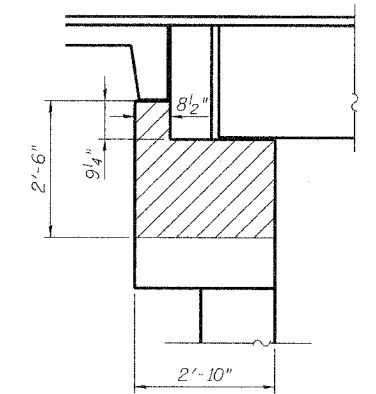
Elevation-West Abutment
(LOOKING WEST)

LEGEND

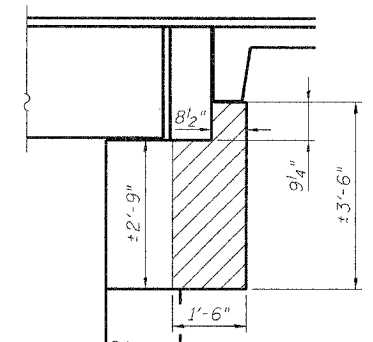
- Concrete Removal
- Structural Repair of Concrete



Plan-West Abutment



ELEVATION-WEST ABUTMENT CAP
(LOOKING NORTH)



ELEVATION-WEST ABUTMENT CAP
(LOOKING SOUTH)

BILL OF MATERIAL

ITEM	UNIT	TOTAL
Concrete Removal	Cu. Yd.	2.4
Structural Repair of Concrete (Depth Equal to or Less Than 5')	Sq. Ft.	13.6

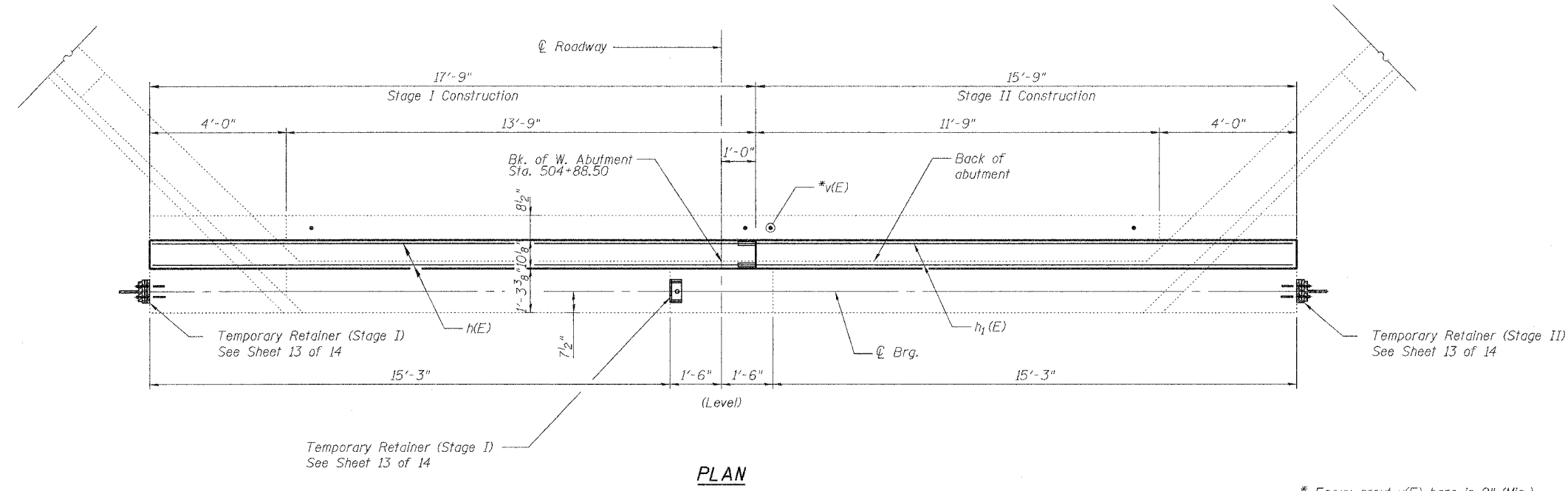
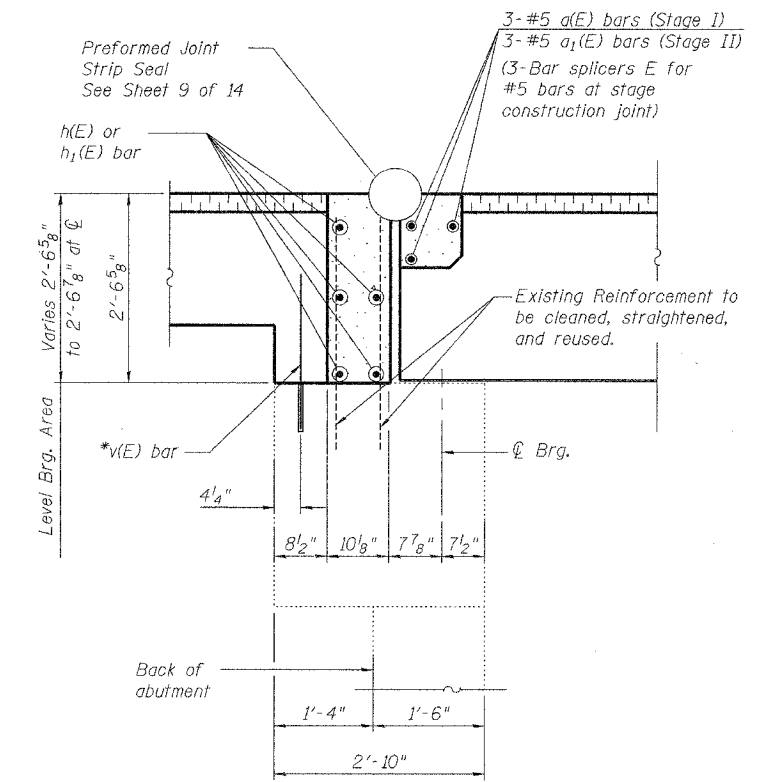
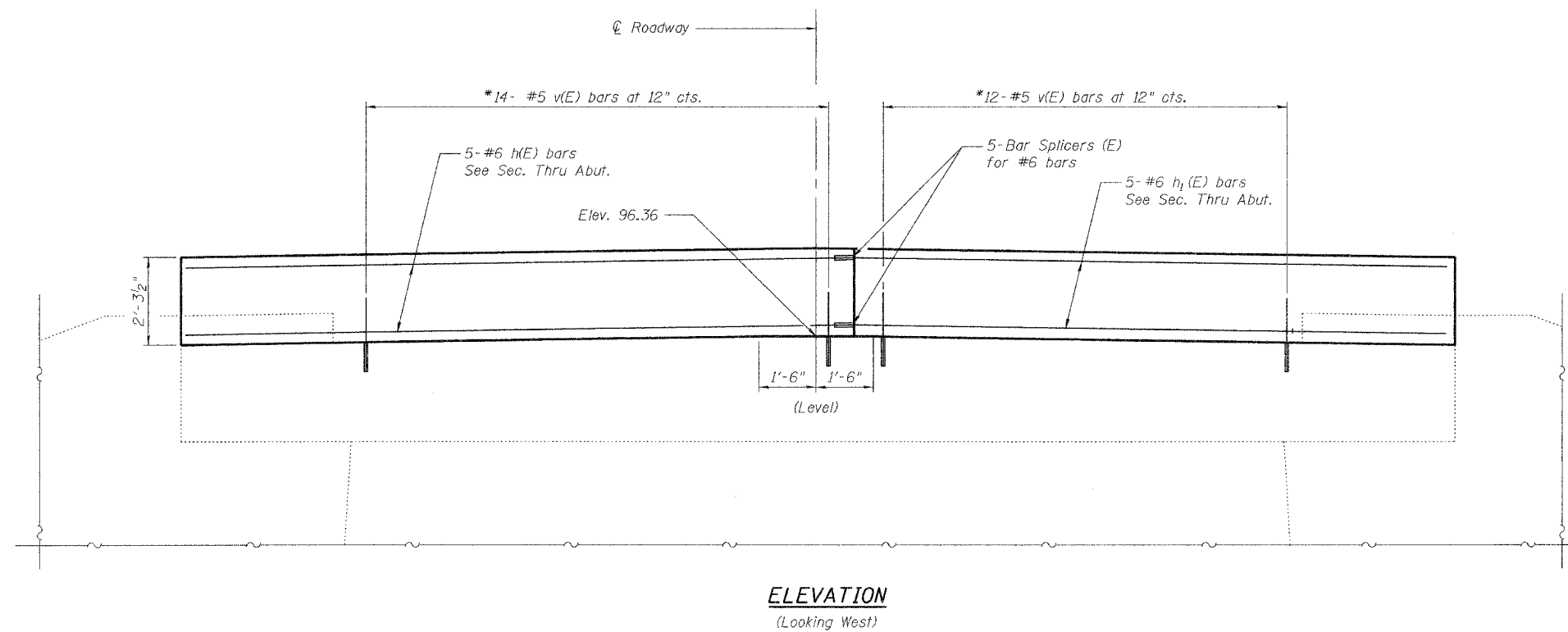
WEST ABUTMENT
CONCRETE REMOVAL AND REPAIR
ILLINOIS ROUTE 9 OVER
PRAIRIE CREEK
F.A.P. ROUTE 693 SECTION (119B-3)I
TAZEWELL COUNTY
SN 090-0061

DESIGNED BWP	THOUVENOT, WADE & MOERCHEN, INC. ENGINEERS • SURVEYORS • PLANNERS CORPORATE OFFICE 3940 OLD COLLINGSVILLE RD. SPRINGFIELD, ILLINOIS 62226 TEL: (618) 624-4668 FAX: (618) 624-6688 E-MAIL: CORP@TWM-INC.COM
CHECKED KPC	
DRAWN BWP	
CHECKED KPC	

STATE OF ILLINOIS
DEPARTMENT OF TRANSPORTATION

ROUTE NO.	SECTION	COUNTY	TOTAL SHEETS	SHEET NO.	SHEET NO. 11
F.A.P. 693	(119B-3)I	TAZEWELL	31	20	14 SHEETS
FED. ROAD DIST. NO. 7	ILLINOIS	FED. AID PROJECT			

Contract #68415



BILL OF MATERIAL

Bar	No.	Size	Length	Shape
h(E)	5	#6	17'-6"	—
h1(E)	5	#6	15'-6"	—
a(E)	3	#5	17'-3"	—
a1(E)	3	#5	15'-3"	—
v(E)	26	#5	2'-0"	—
Concrete Structures			Cu. Yd.	3.4
Reinforcement Bars, Epoxy Coated			Pound	400

* Epoxy grout v(E) bars in 9" (Min.) drilled holes according to Section 584 of the Standard Specification

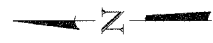
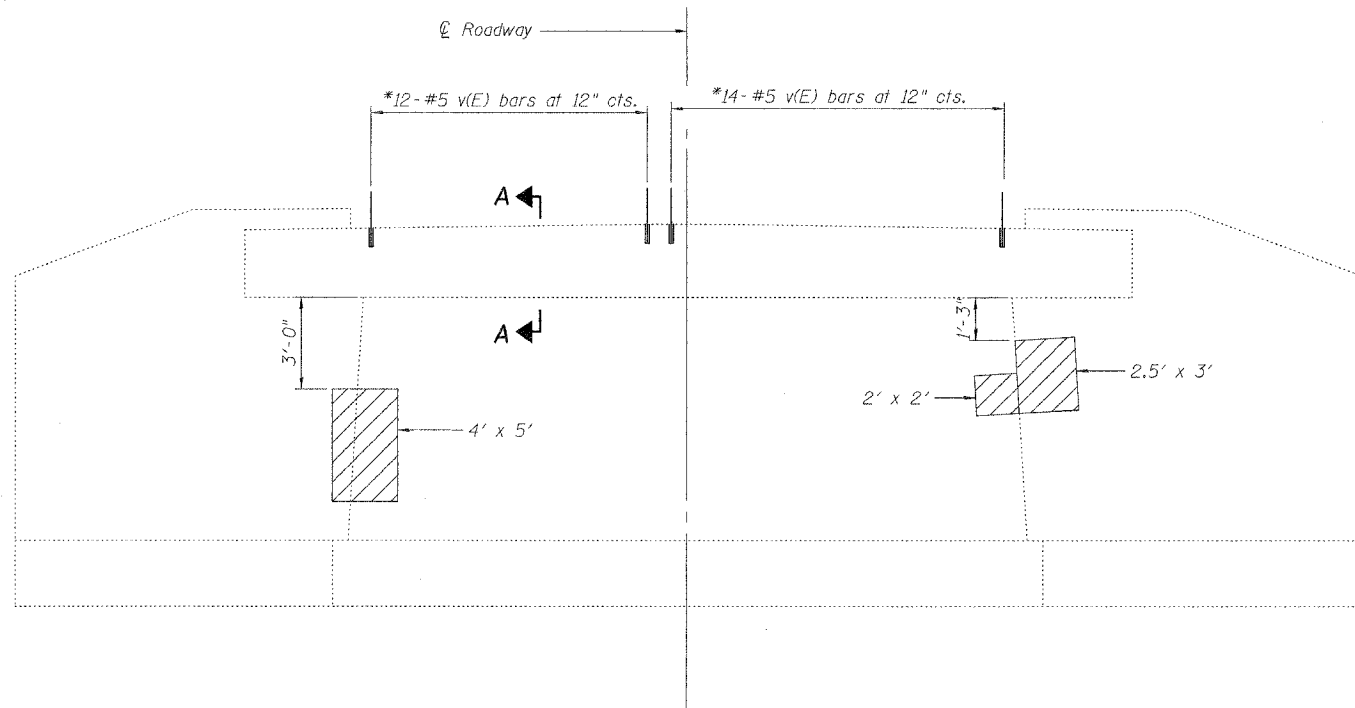
WEST ABUTMENT
ILLINOIS ROUTE 9 OVER
PRAIRIE CREEK
F.A.P. ROUTE 693 SECTION (119B-3)I
TAZEWELL COUNTY
SN 090-0061

DESIGNED BWP	THOUVENOT, WADE & MOERCHEN, INC. ENGINEERS • SURVEYORS • PLANNERS CORPORATE OFFICE 4940 OLD COLLINGSVILLE RD. SWANSEA, ILLINOIS 62226 TEL. 618/ 624-4400 FAX 618/ 624-8688 E-MAIL: corp@twm-inc.com
CHECKED KPC	
DRAWN BWP	
CHECKED KPC	

STATE OF ILLINOIS
DEPARTMENT OF TRANSPORTATION

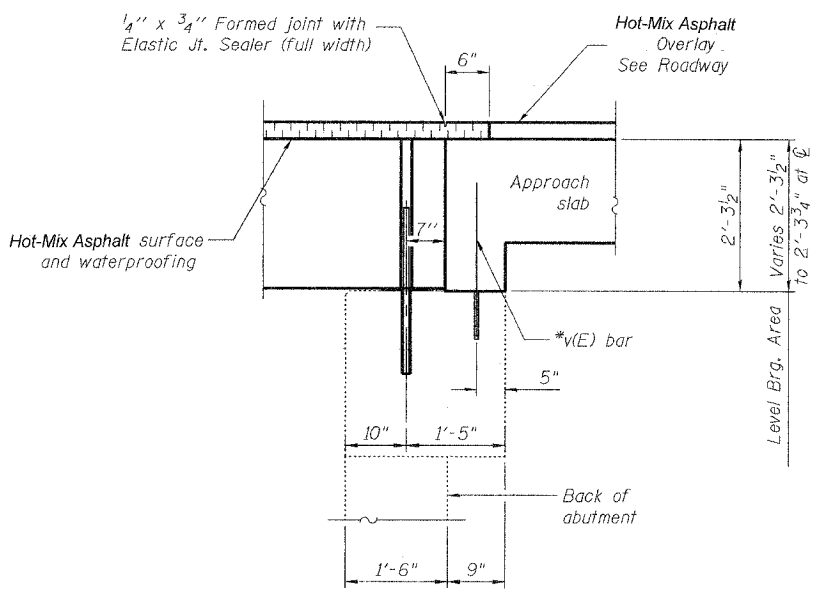
ROUTE NO. F.A.P. 693	SECTION (119B-3)I	COUNTY TAZEWELL	SHEET NO. 31	SHEETS 21	SHEET NO. 12 14 SHEETS
FED. ROAD DIST. NO. 7		ILLINOIS	FED. AID PROJ. DIST.		

Contract #



Elevation-East Abutment
(LOOKING EAST)

LEGEND
 - Structural Repair of Concrete

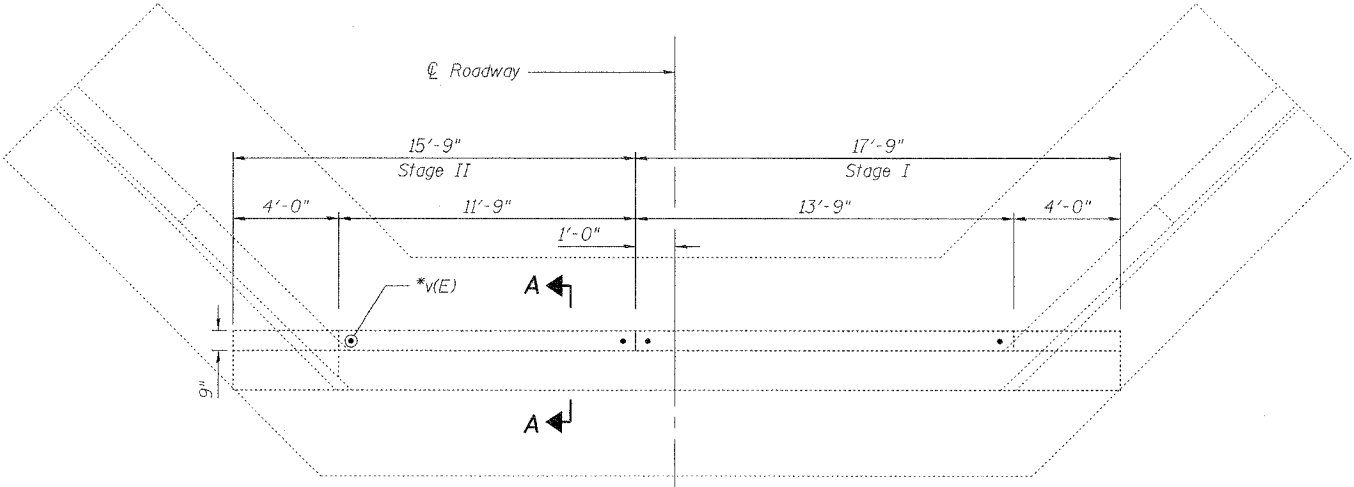


SECTION A-A

* Epoxy grout v(E) bars in 9" (Min.) drilled holes according to Section 584 of the Standard Specification

BILL OF MATERIAL

Bar	No.	Size	Length	Shape
v(E)	26	#5	2'-0"	—
Reinforcement Bars, Epoxy Coated			Pound	50
Structural Repair of Concrete (Depth Equal to or Less Than 5")			Sq. Ft.	31.5



Plan

DESIGNED <i>BWP</i>	THOUVENOT, WADE & MOERCHEN, INC. ENGINEERS • SURVEYORS • PLANNERS CORPORATE OFFICE 4940 OLD COLLINGSVILLE RD. SPRINGFIELD, ILLINOIS 62226 TEL. (618) 652-4400 FAX (618) 652-6089 E-MAIL: oort@twm-inc.com
CHECKED <i>KPC</i>	
DRAWN <i>BWP</i>	
CHECKED <i>KPC</i>	

**EAST ABUTMENT
CONCRETE REPAIR
ILLINOIS ROUTE 9 OVER
PRAIRIE CREEK
F.A.P. ROUTE 693 SECTION (119B-3)I
TAZEWELL COUNTY
SN 090-0061**

STATE OF ILLINOIS
DEPARTMENT OF TRANSPORTATION

ROUTE NO.	SECTION	COUNTY	SHEETS	SHEET	SHEET NO. 13
F.A.P. 693	(199B-31)	TAZEWELL	31	22	14 SHEETS
FED. ROAD DIST. NO. 7	ILLINOIS	FED. AID PROJECT			

Contract #68415

ANCHOR BOLTS FOR RETAINERS

GENERAL NOTES

Holes in the masonry for anchor bolts shall be drilled according to the manufacturer's recommendation after beams or girders have been erected and adjusted.

Prior to setting the bolts, the holes shall be dry and all dust and loose particles shall be removed by the use of compressed air or vacuuming.

The anchor bolts, furnished and installed and including the epoxy grout or capsules shall not be paid for separately but shall be included in the unit bid price for Precast Prestressed Concrete Deck Beams (27" Depth).

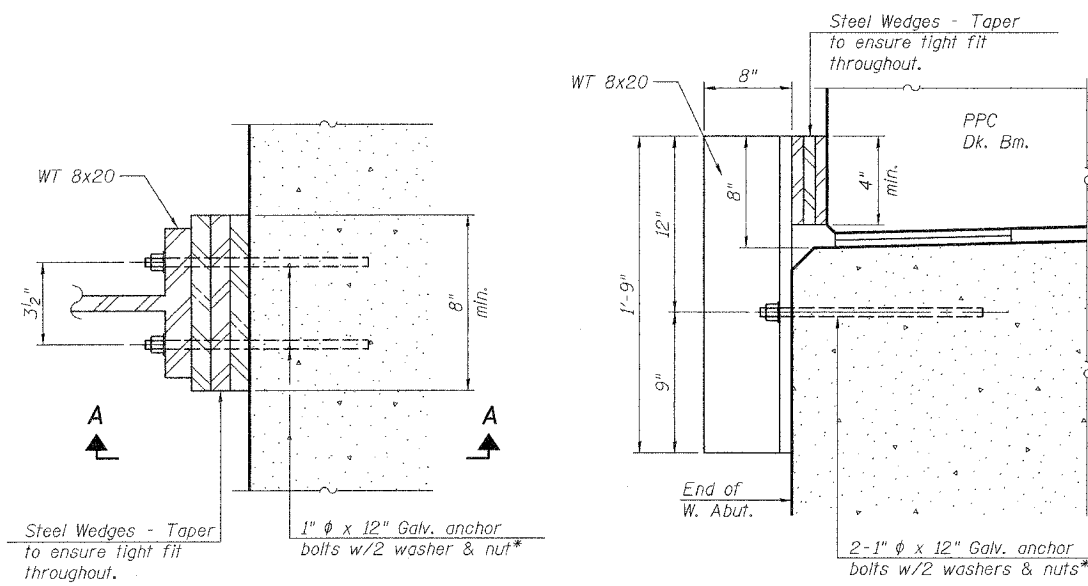
The Contractor may use, at his option, the capsule or the adhesive cartridge type anchor rods that have been previously tested and given a prior approval by the Department. The Contractor shall install these anchor rods in pre-drilled holes according to the manufacturer's recommendations and procedures.

The capsule or the adhesive cartridge type anchor rods shall be a two part system composed of:

1. A threaded rod stud with nut and washer of the type specified.
2. A sealed glass capsule or a sealed glass adhesive cartridge containing premeasured amounts of the adhesive chemical.

Location	Type
West Abut.	A325

ASTM F 1554 Grade 105, ASTM A 449 and AASHTO M 314 Grade 105 anchor bolts may be substituted for the anchor bolts shown above.



PLAN

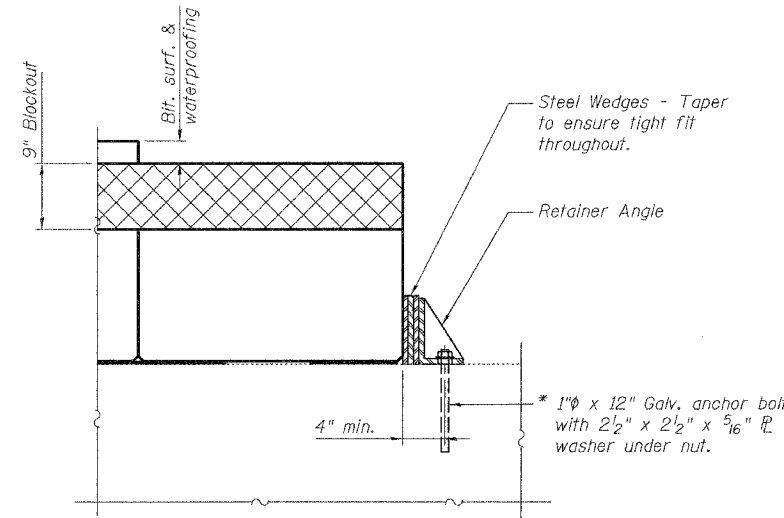
SECTION A-A

TEMPORARY RETAINER AT EXPANSION JOINT

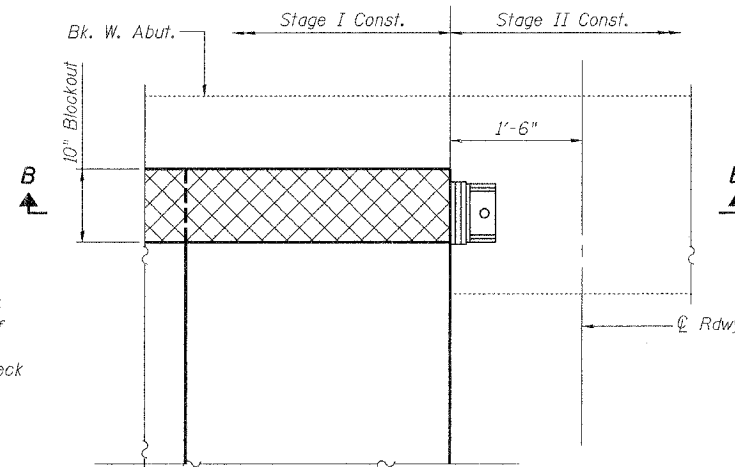
(West Abutment Only)

Note:
After block-outs are poured and cured the retainer angles shall be removed. Anchor bolts may be left in place.

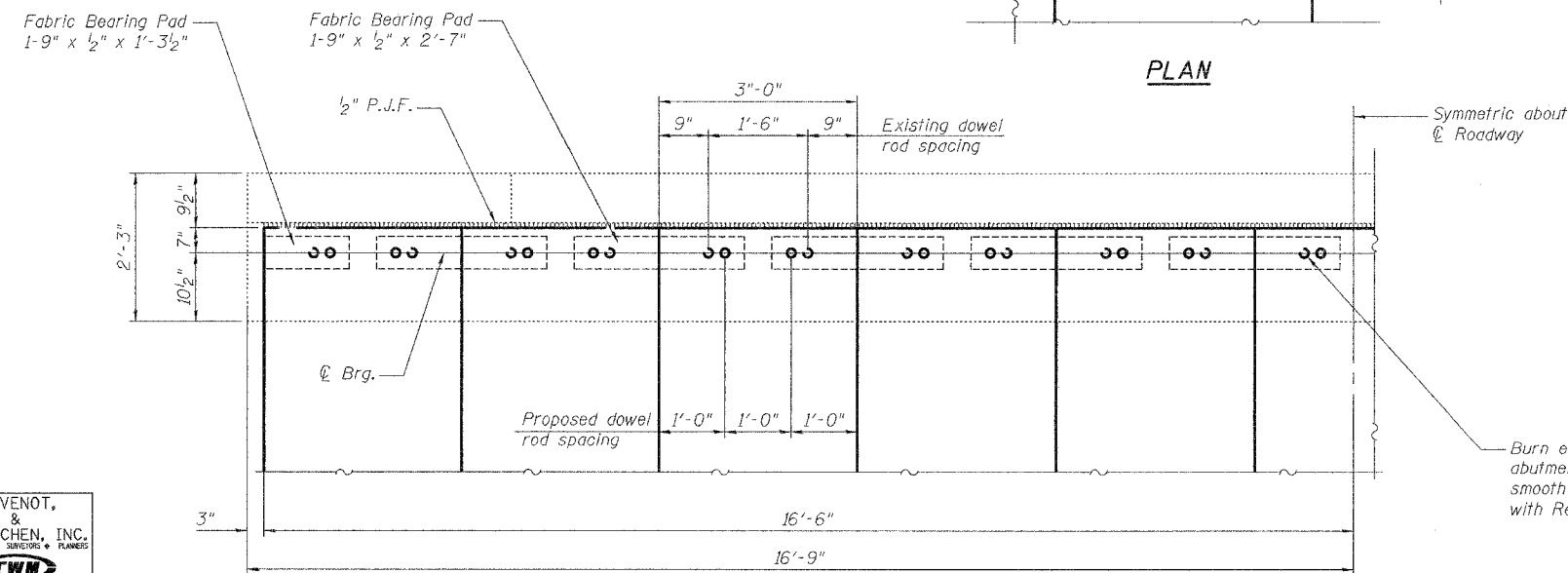
* Epoxy grout anchor bolt in 9" (Min.) drilled holes according to Section 584 of the Standard Specification. Cost of retainer and accessories are included with Precast Prestressed Concrete Deck Beams (27" Depth).



SECTION B-B



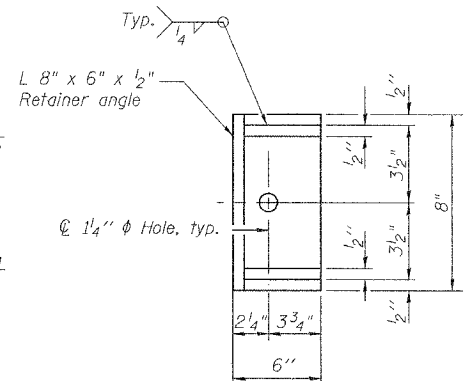
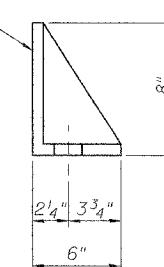
PLAN



PLAN

(at East Abutment)

L 8" x 6" x 1/2" Retainer angle



SIDE RETAINER

Note:
After block-outs are poured and cured the retainer angles shall be removed. Anchor bolts shall be cut or burn flush with the existing concrete surface, grind smooth and seal with epoxy.

Burn existing dowel rods flush with existing abutment surface. Grind existing dowel rods smooth and seal with epoxy. Cost is included with Removal of Existing Superstructures.

SUBSTRUCTURE DETAILS

ILLINOIS ROUTE 9 OVER

PRAIRIE CREEK

F.A.P. ROUTE 693 SECTION (199B-31)

TAZEWELL COUNTY

SN 090-0061

DESIGNED BWP	THOUVENOT, WADE & MOERCHEN, INC. ENGINEERS • SURVEYORS • PLANNERS CORPORATE OFFICE 4940 OLD COLLINGSVILLE RD. SPRINGFIELD, ILLINOIS 62229 TEL. (618) 624-4488 FAX (618) 624-6488 E-MAIL: GUY@TWM-ILL.COM
CHECKED KPC	
DRAWN BWP	
CHECKED KPC	

STATE OF ILLINOIS
DEPARTMENT OF TRANSPORTATION

ROUTE NO.	SECTION	COUNTY	SHEETS	SHEET NO.	SHEET NO. 14 14 SHEETS
FAP 693	119B-31	TAZEWELL	31	23	
FED. ROAD DIST. NO. 7	ILLINOIS	FED. AID PROJECT-			

Contract Number: 68415

NOTES

Bar splicer assemblies shall be of an approved type and shall develop in tension at least 125 percent of the yield strength of the lapped reinforcement bars.
Splicer rods shall be of minimum 60 ksi yield strength, threaded or coiled full length.
All reinforcement bars shall be lapped and tied to the splicer rods or dowel bars.
Bar splicer assemblies shall be epoxy coated according to the requirements for reinforcement bars.
Other systems of similar design may be submitted to the Engineer for approval. Approval shall be based on certified test results from an approved testing laboratory that the proposed bar splicer assembly satisfies the following requirements:

- ① Minimum Capacity (Tension in kips) = $1.25 \times f_y \times A_t$
 - ② Minimum *Pull-out Strength (Tension in kips) = $0.66 \times f_y \times A_t$
- Where f_y = Yield strength of lapped reinforcement bars in ksi.
 A_t = Tensile stress area of lapped reinforcement bars.
* = 28 day concrete

BAR SPLICER ASSEMBLIES

Bar Size to be Spliced	Splicer Rod or Dowel Bar Length	Strength Requirements	
		Min. Capacity kips - tension	Min. Pull-Out Strength kips - tension
#4	1'-8"	14.7	7.9
#5	2'-0"	23.0	12.3
#6	2'-7"	33.1	17.4
#7	3'-5"	45.1	23.8
#8	4'-6"	58.9	31.3
#9	5'-9"	75.0	39.6
#10	7'-3"	95.0	50.3
#11	9'-0"	117.4	61.8

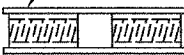
The diameter of this part is equal or larger than the diameter of bar spliced.
The diameter of this part is the same as the diameter of the bar spliced.

ROLLED THREAD DOWEL BAR



** ONE PIECE

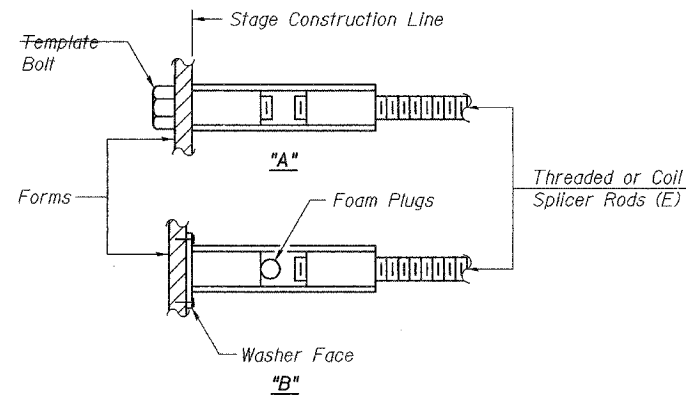
Wire Connector



WELDED SECTIONS

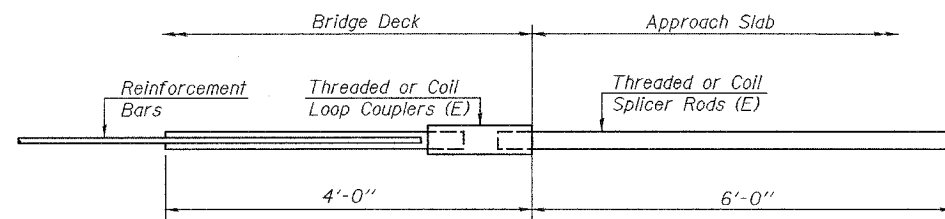
BAR SPLICER ASSEMBLY ALTERNATIVES

** Heavy Hex Nuts conforming to ASTM A 563, Grade C, D or DH may be used.



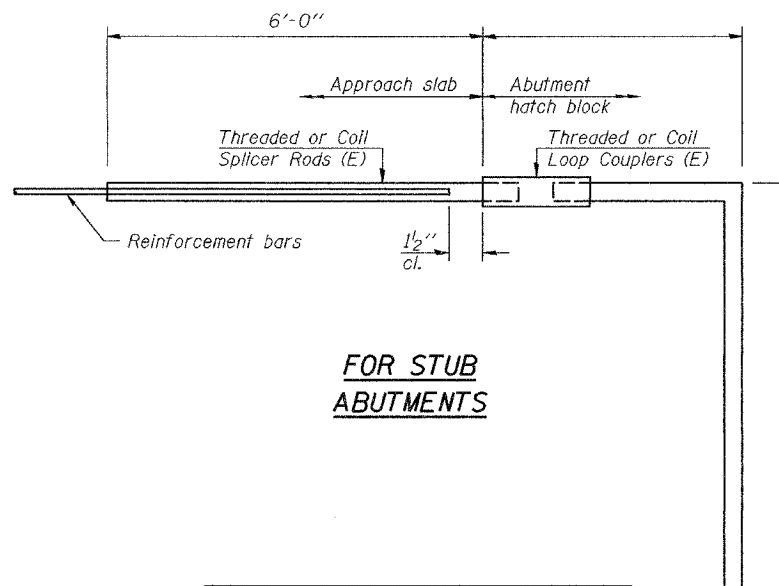
INSTALLATION AND SETTING METHODS

"A" : Set bar splicer assembly by means of a template bolt.
"B" : Set bar splicer assembly by nailing to wood forms or cementing to steel forms.
(E) : Indicates epoxy coating.



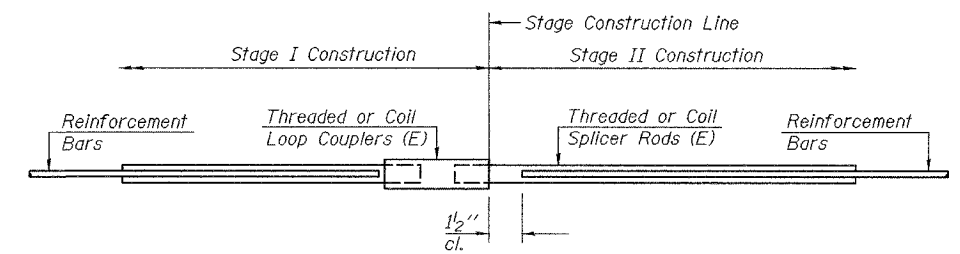
FOR INTEGRAL OR SEMI-INTEGRAL ABUTMENTS

Bar Splicer for #5 bar
Min. Capacity = 23.0 kips - tension
Min. Pull-out Strength = 12.3 kips - tension
No. Required =



FOR STUB ABUTMENTS

Bar Splicer for #5 bar
Min. Capacity = 23.0 kips - tension
Min. Pull-out Strength = 12.3 kips - tension
No. Required =



STANDARD

Bar Size	No. Assemblies Required	Location
#5	3	Expansion End Blockout
#6	5	West Abutment

BAR SPLICER ASSEMBLY DETAILS
ILLINOIS ROUTE 9 OVER PRAIRIE CREEK
FAP ROUTE 693 SECTION (119B-31)
TAZEWELL COUNTY
SN 090-0061

B.M.: BRASS PLATE IN S.E. WINGWALL; ELEV. = 100.00'

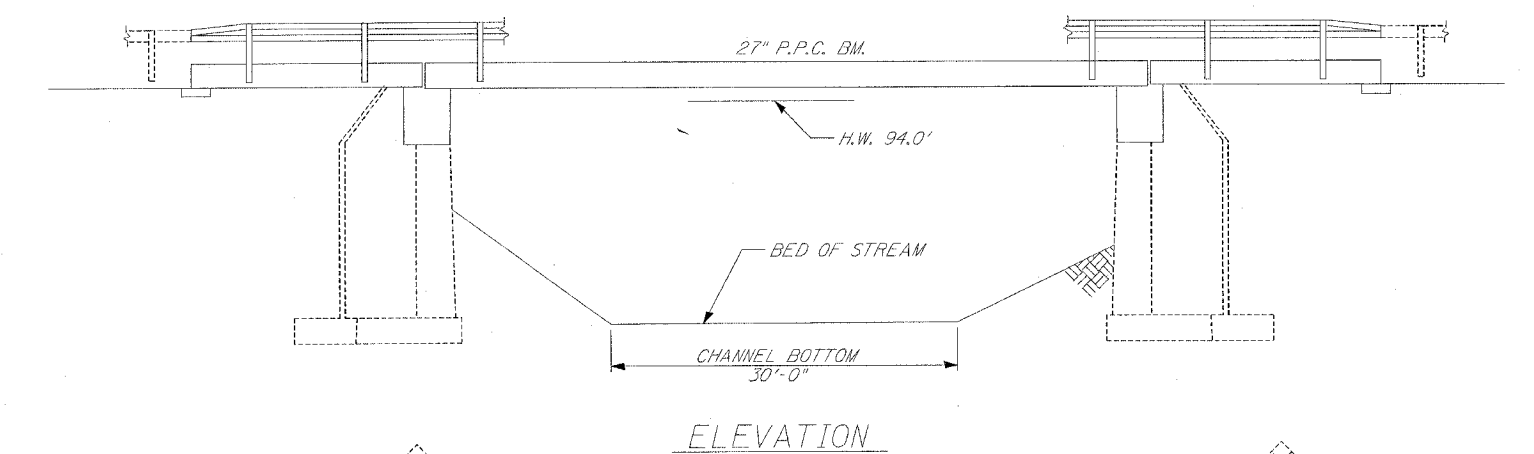
EXISTING STRUCTURE: SN 090-0061 IS A 33' WIDE x 63'-0" P.C.C. DECK BEAM SUPERSTRUCTURE WITH R.C. CLOSED ABUTMENTS.

ROUTE NO.	SECTION	COUNTY	TOTAL SHEETS	SHEET NO.
F.A.P. 693	*	TAZEWELL	31	24
FED. ROAD DIST. NO. 4		ILLINOIS	FED. AID PROJECT	

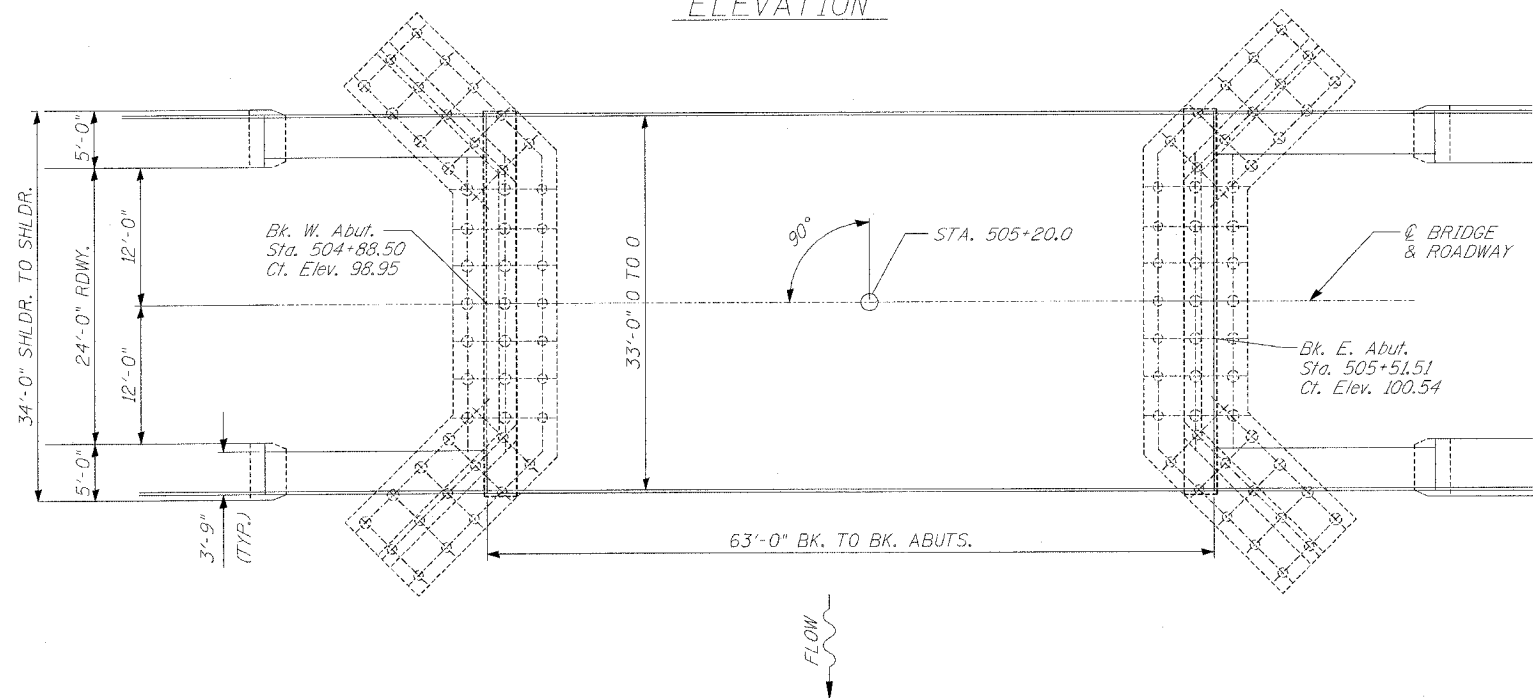
*(119B-3)I

INDEX OF SHEETS

SHEET NUMBER	DESCRIPTION
1	GENERAL PLAN AND ELEVATION, SUMMARY OF QUANTITIES, LOCATION MAP
2	R.O.W. PLAN
3	SITE GRADING PLAN
4	SITE DIMENSION PLAN
5	SITE PROFILE
6-8	CROSS SECTIONS



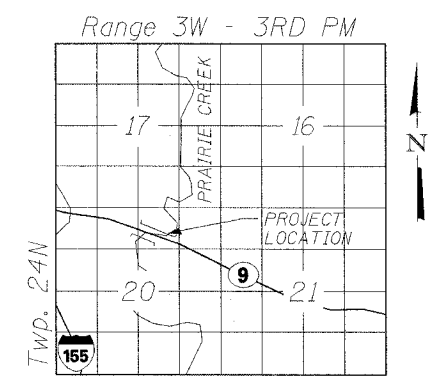
ELEVATION



PLAN EXISTING BRIDGE

BILL OF MATERIALS

ITEM	UNIT	TOTAL
CHANNEL EXCAVATION	CU YD	416
STONE RIP-RAP, CLASS A5	TONS	1685
FILTER FABRIC FOR RIPRAP	SQ YD	712
SUB-BASE GRANULAR MATERIAL, TYPE C	TONS	100
REM. AND REIN. STEEL PLATE BEAM GUARD RAIL, TY. A	FOOT	50
CONSTRUCTION ACCESS	L SUM	1

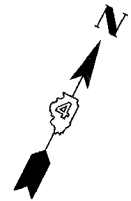


LOCATION SKETCH

WATERWAY/SCOUR INFORMATION

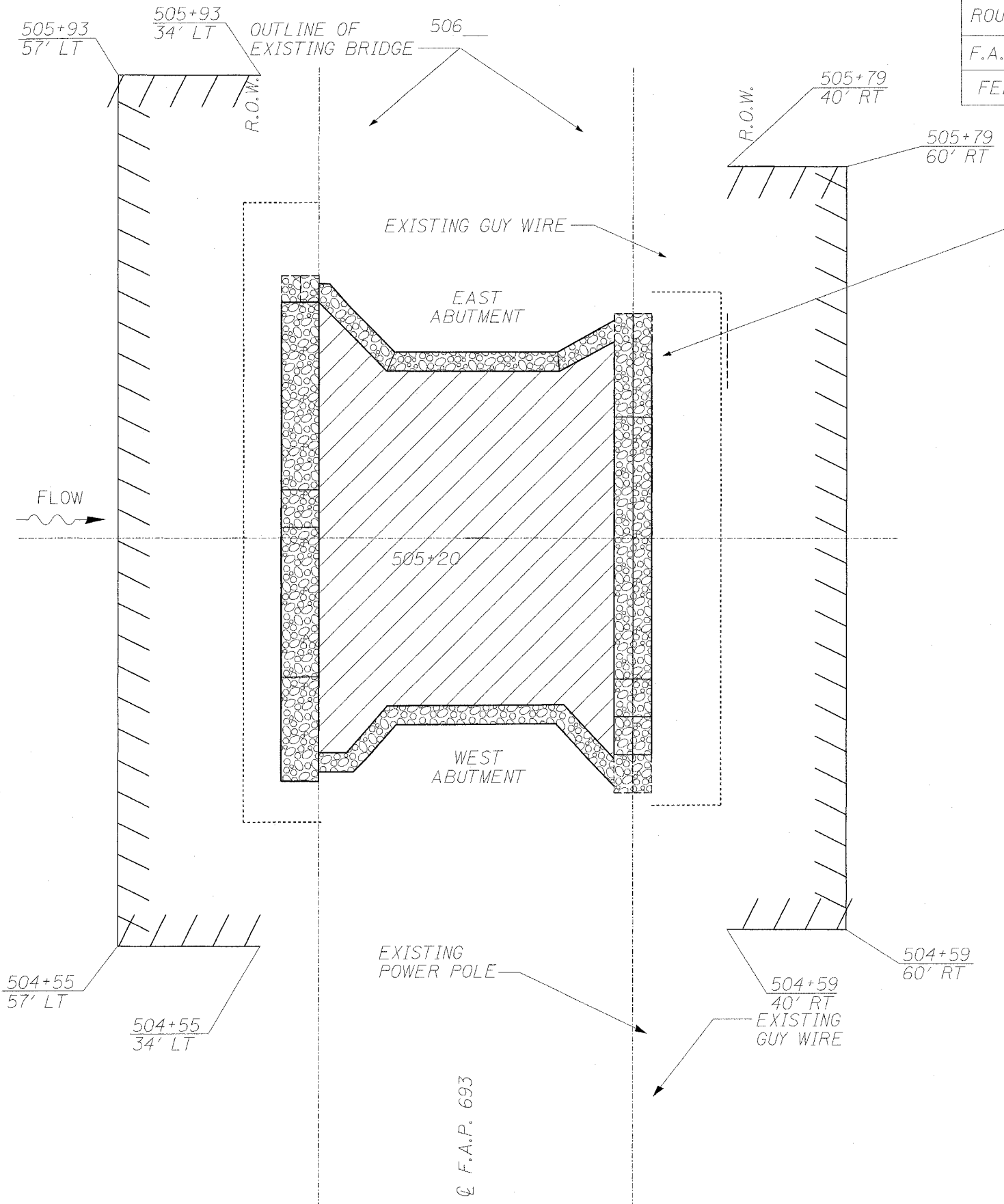
DESIGN FLOOD	100 YRS
DRAINAGE AREA	18.2 SQ MI
FLOW	3,426 CFS
FLOW DEPTH	8.0 FT
REQUIRED OPENING	555 SQ FT
PROVIDED OPENING	658 SQ FT
CONTRACTION SCOUR DEPTH	4 FT

ILLINOIS DEPARTMENT OF TRANSPORTATION
GENERAL PLAN & ELEVATION
 S.N. 090-0061
 F.A.P. 693 (IL 9)
 OVER PRAIRIE CREEK
 TAZEWELL COUNTY
 SHEET 1 OF 8



ROUTE NO.	SECTION	COUNTY	TOTAL SHEETS	SHEET NO.
F.A.P. 693	*	TAZEWELL	31	25
FED. ROAD DIST. NO. 4		ILLINOIS	FED. AID PROJECT	

* (119B-3)I

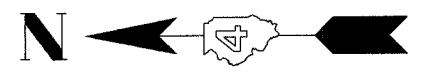


LEGEND

- R.O.W.
- TEMPORARY EASEMENT
- CONSTRUCTION LIMITS
- CONCRETE ABUTMENT
- STREAM CENTERLINE
- TOE-WALL RIPRAP
- RIPRAP, CLASS A5
- AERIAL ELECTRIC
- POWER POLE

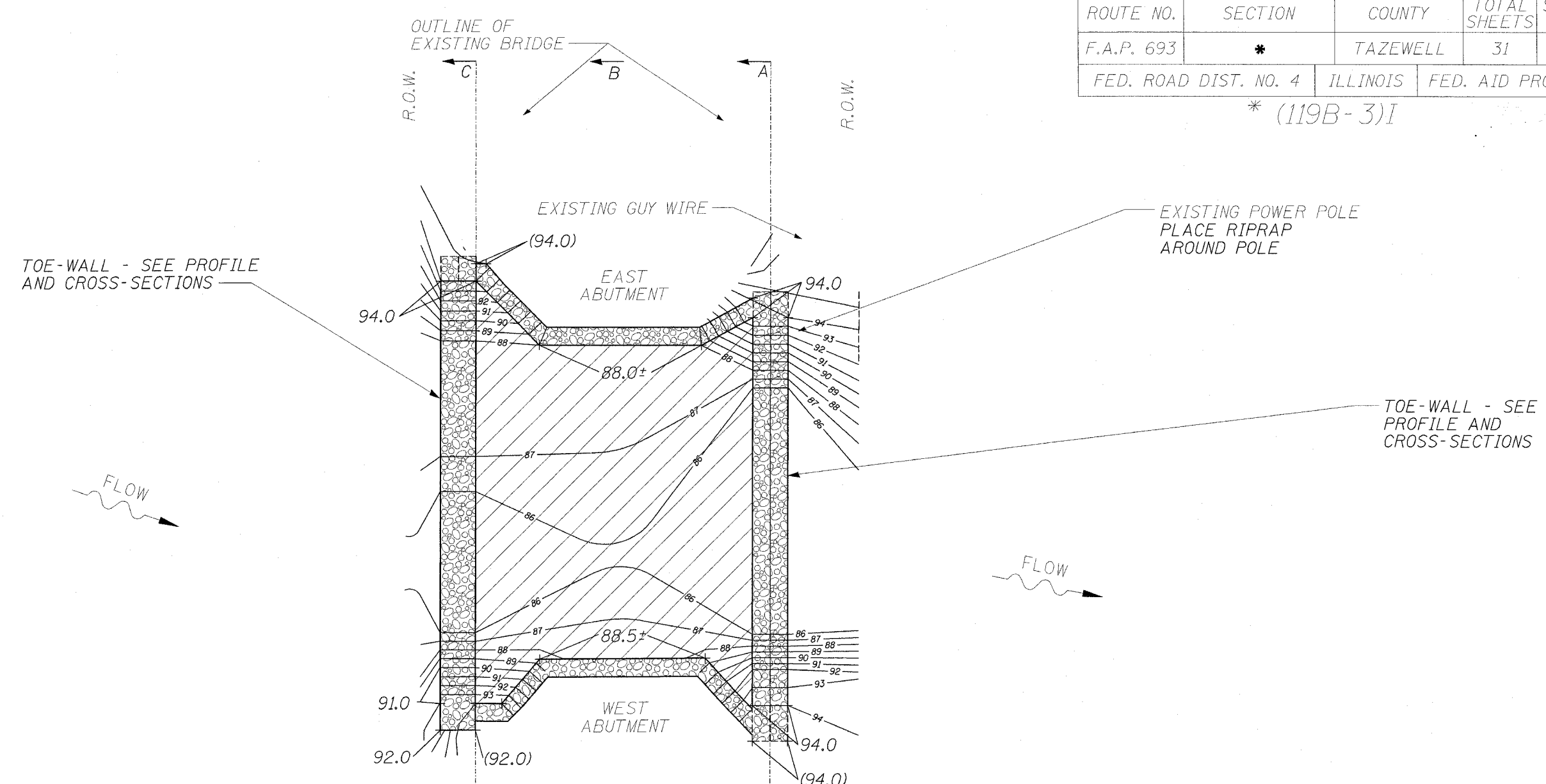


ILLINOIS DEPARTMENT OF TRANSPORTATION
 R.O.W. PLAN
 S.N. 090-0061
 F.A.P. 693 (IL 9)
 OVER PRAIRIE CREEK
 TAZEWELL COUNTY
 SHEET 2 OF 8



ROUTE NO.	SECTION	COUNTY	TOTAL SHEETS	SHEET NO.
F.A.P. 693	*	TAZEWELL	31	26
FED. ROAD DIST. NO. 4		ILLINOIS	FED. AID PROJECT	

*(119B-3)I



LEGEND

- R.O.W. ————
- EXISTING CONTOUR - - - - 95 - - - -
- PROPOSED CONTOUR ———— 95 ————
- PROPOSED SPOT ELEVATION 95.0 ↘
- CONCRETE ABUTMENT // // // //
- STREAM CENTERLINE ————
- RIPRAP TOE-WALL [stippled pattern]
- STONE RIPRAP, CL. A5 [diagonal hatching]
- AERIAL ELECTRIC ———— AE ————
- POWER POLE ○



EXISTING POWER POLE
 ⊕ F.A.P. 693
 EXISTING GUY WIRE

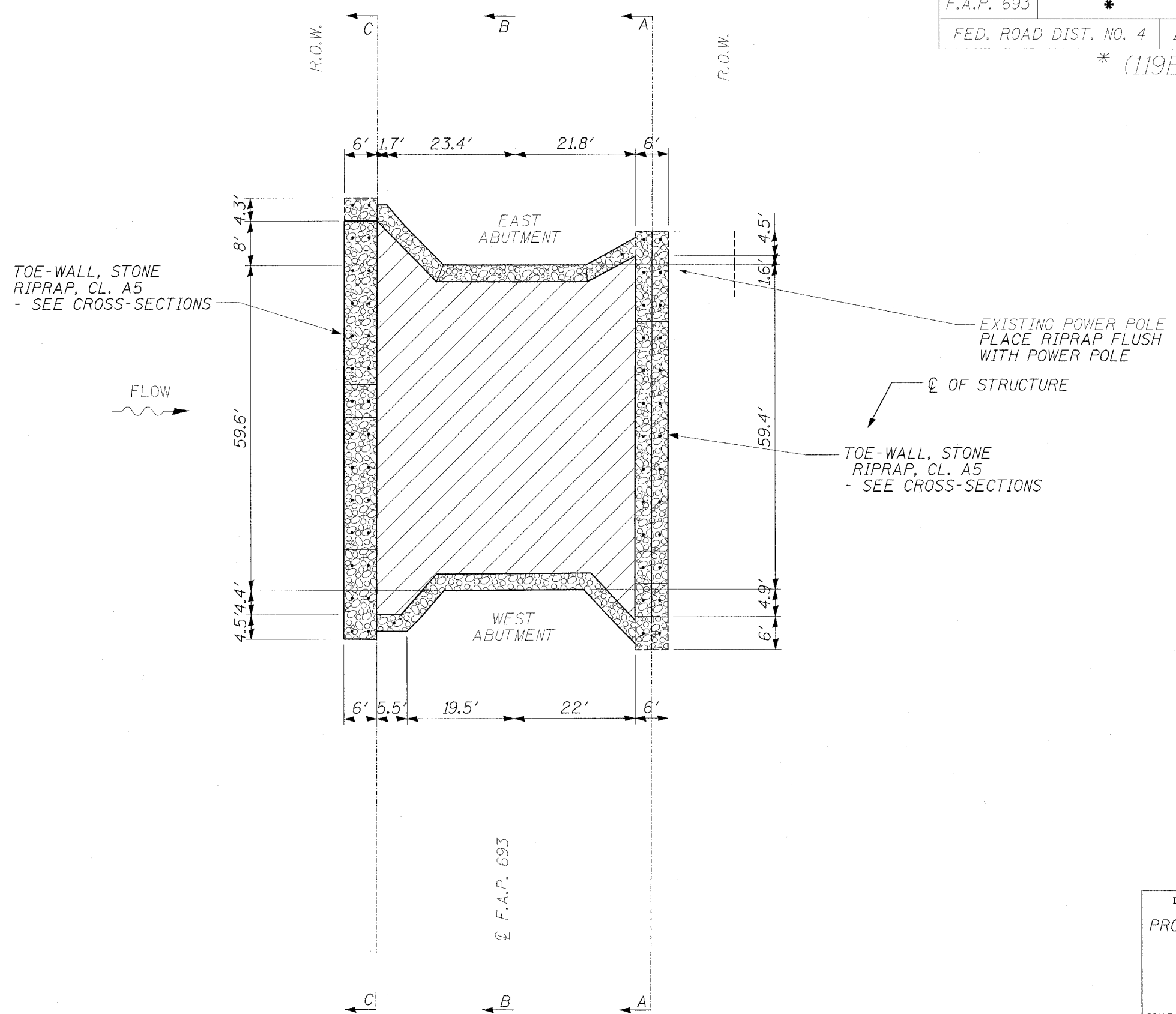


ILLINOIS DEPARTMENT OF TRANSPORTATION
 PROPOSED SITE PLAN
 S.N. 090-0061
 F.A.P. 693 (IL 9)
 OVER PRAIRIE CREEK
 TAZEWELL COUNTY
 SHEET 3 OF 8
 SCALE: 1" = 20'

NOTE: SPOT ELEVATIONS ENCLOSED BY PARENTHESES INDICATED TOP OF RIPRAP BURIED BY EARTH BACKFILL

ROUTE NO.	SECTION	COUNTY	TOTAL SHEETS	SHEET NO.
F.A.P. 693	*	TAZEWELL	31	27
FED. ROAD DIST. NO. 4		ILLINOIS	FED. AID PROJECT	

*(119B-3)I



LEGEND

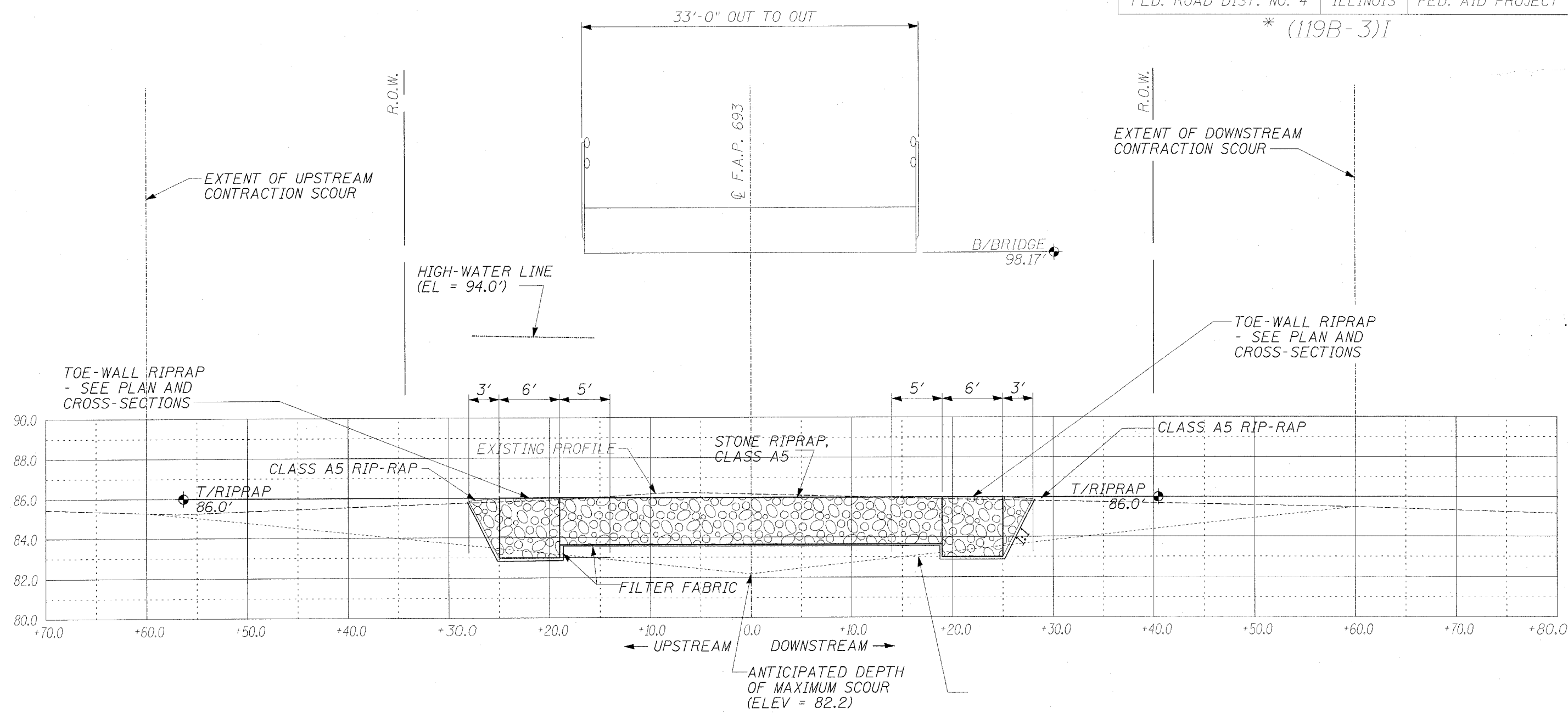
- R.O.W. ————
- CONCRETE ABUTMENT
- STREAM CENTERLINE
- TOE-WALL RIPRAP
- STONE RIPRAP, CL. A5
- GABION ANCHOR
- AERIAL ELECTRIC ———— AE ————
- POWER POLE



ILLINOIS DEPARTMENT OF TRANSPORTATION
 PROPOSED SITE DIMENSION PLAN
 S.N. 090-0061
 F.A.P. 693 (IL 9)
 OVER PRAIRIE CREEK
 TAZEWELL COUNTY
 SHEET 4 OF 8

ROUTE NO.	SECTION	COUNTY	TOTAL SHEETS	SHEET NO.
F.A.P. 693	*	TAZEWELL	31	28
FED. ROAD DIST. NO. 4		ILLINOIS	FED. AID PROJECT	

* (119B-3)I



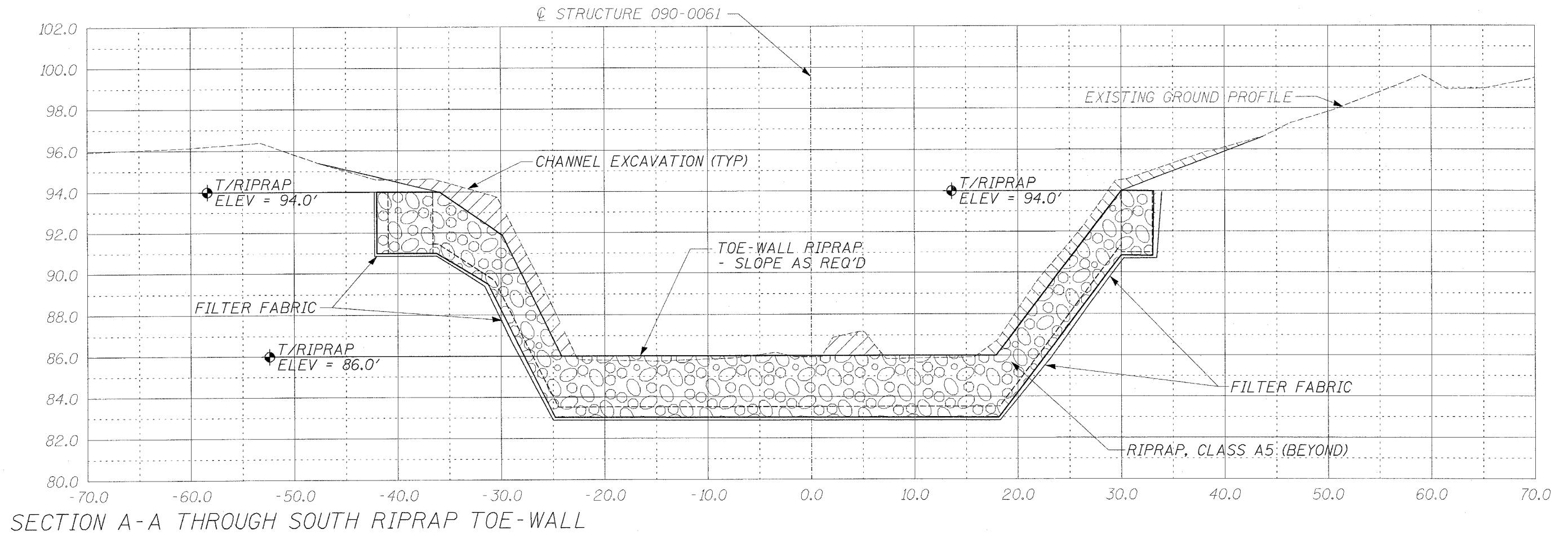
CALCULATED OPENING: 60 FT
 MAXIMUM SCOUR CALCULATION:
 CONTRACTION SCOUR = 4 FT

ILLINOIS DEPARTMENT OF TRANSPORTATION
 SITE PROFILE
 S.N. 090-0061
 F.A.P. 693 (IL 9)
 OVER PRAIRIE CREEK
 TAZEWELL COUNTY
 SHEET 5 OF 8
 SCALE: VERT. 1" = 5' HORIZ. 1" = 10'



ROUTE NO.	SECTION	COUNTY	TOTAL SHEETS	SHEET NO.
F.A.P. 693	*	TAZEWELL	31	29
FED. ROAD DIST. NO. 4		ILLINOIS	FED. AID PROJECT	

*(119B-3)I

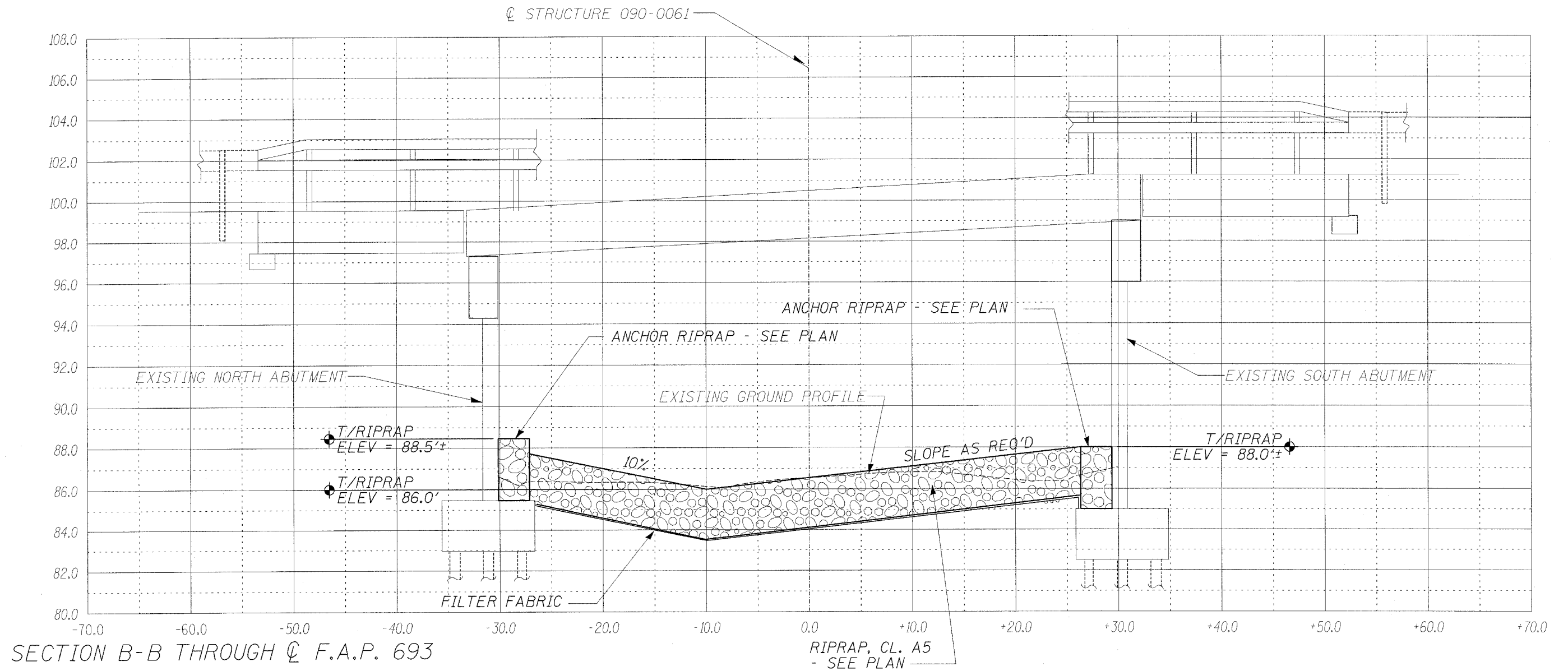


ILLINOIS DEPARTMENT OF TRANSPORTATION
 SITE CROSS SECTION
 S.N. 090-0061
 F.A.P. 693 (IL 9)
 OVER PRAIRIE CREEK
 TAZEWELL COUNTY
 SHEET 6 OF 8

SCALE: VERT. 1" = 5' HORIZ. 1" = 10'

ROUTE NO.	SECTION	COUNTY	TOTAL SHEETS	SHEET NO.
F.A.P. 693	*	TAZEWELL	31	30
FED. ROAD DIST. NO. 4		ILLINOIS	FED. AID PROJECT	

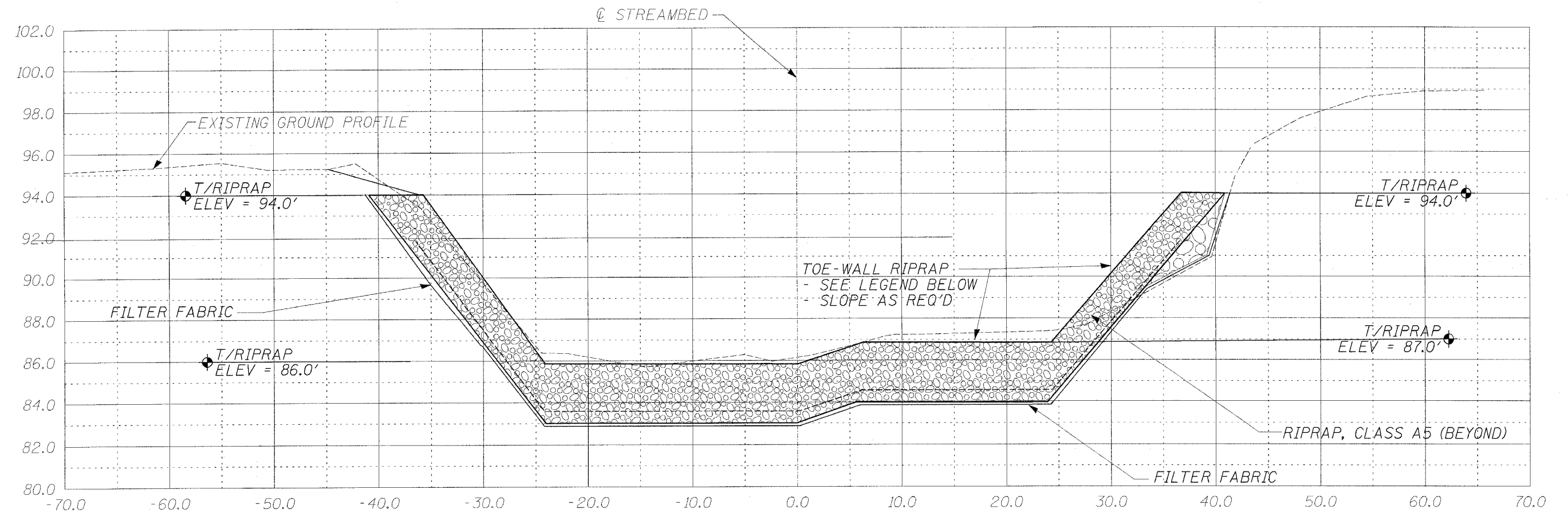
*(119B-3)I



ILLINOIS DEPARTMENT OF TRANSPORTATION
 SITE CROSS SECTION
 S.N. 090-0061
 F.A.P. 693 (IL 9)
 OVER PRAIRIE CREEK
 TAZEWELL COUNTY
 SHEET 7 OF 8
 SCALE: VERT. 1" = 5' HORIZ. 1" = 10'

ROUTE NO.	SECTION	COUNTY	TOTAL SHEETS	SHEET NO.
F.A.P. 693	*	TAZEWELL	31	31
FED. ROAD DIST. NO. 4		ILLINOIS	FED. AID PROJECT	

* (119B-3)I



SECTION C-C THROUGH NORTH RIPRAP TOE-WALL

ILLINOIS DEPARTMENT OF TRANSPORTATION
 SITE CROSS SECTION
 S.N. 090-0061
 F.A.P. 693 (IL 9)
 OVER PRAIRIE CREEK
 TAZEWELL COUNTY
 SHEET 8 OF 8
 SCALE: VERT. 1" = 5' HORIZ. 1" = 10'