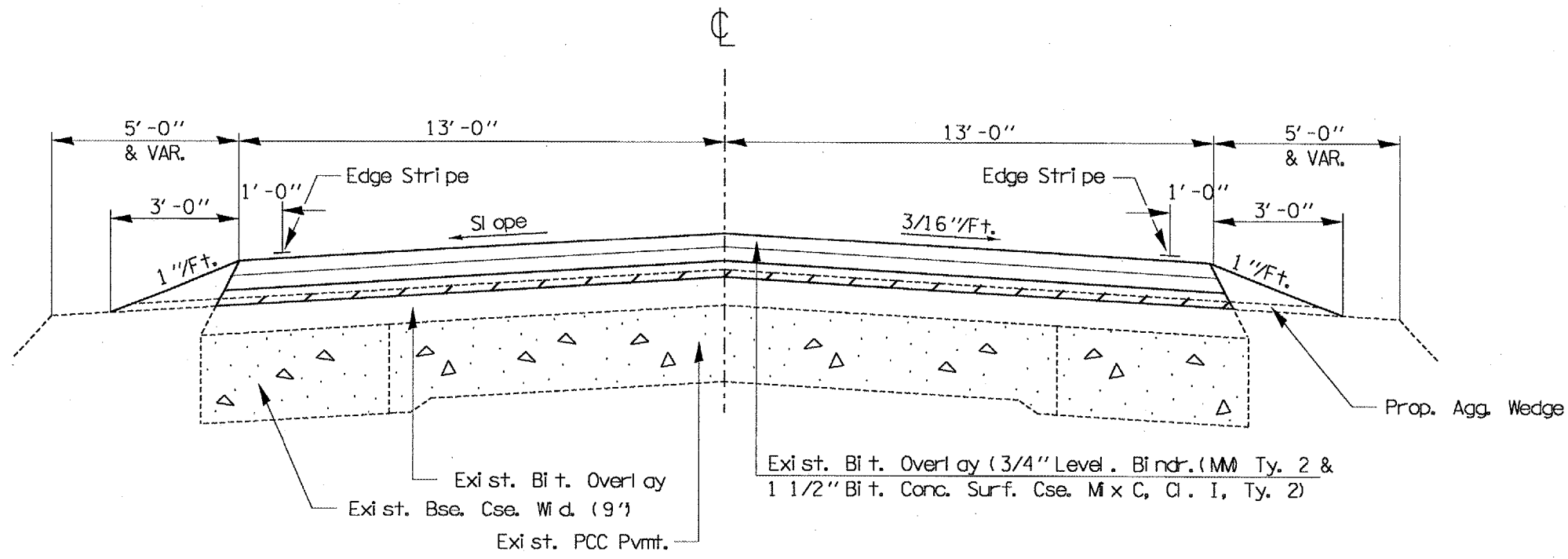
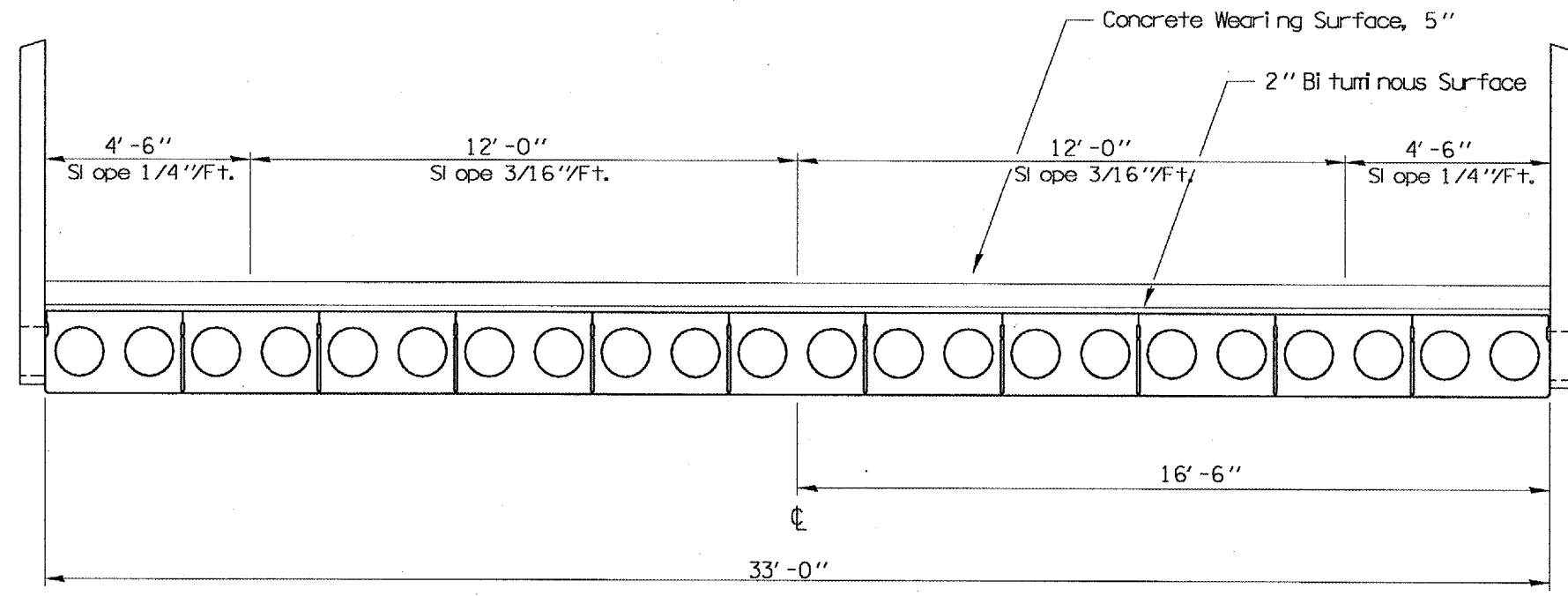


CONTRACT NO. 68484				
F.A.P. RTE.	SECTION	COUNTY	TOTAL SHEETS	SHEET NO.
701	1128BR1-1	TAZEWELL	29	7
STA. 77+63.98		TO STA. 78+48.02		
FED. ROAD DIST. NO. 4	ILLINOIS	FED. AID PROJECT		



Existing Typical Section
Sta. 63+10 to 77+64.5
Sta. 78+47 to Sta. 84+00

NOTE: For the proposed typical section off either end of the bridge, consult pages 9 and 21A-D for further details.



STA. 77+64.5 TO STA. 78+47

REVISIONS		ILLINOIS DEPARTMENT OF TRANSPORTATION
NAME	DATE	
		TYPICAL SECTIONS

SCALE: VERT. HORIZ.
DATE 03-30-2006

DRAWN BY CEJ
CHECKED BY

PLOT DATE * NUMBER * FILE NAME * PLOT SCALE * REFERENCE