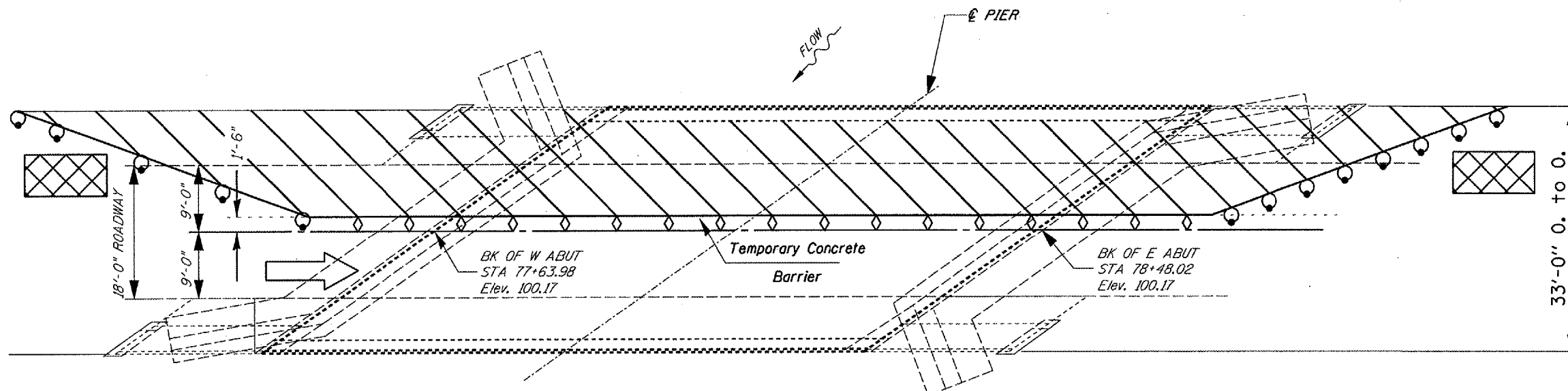
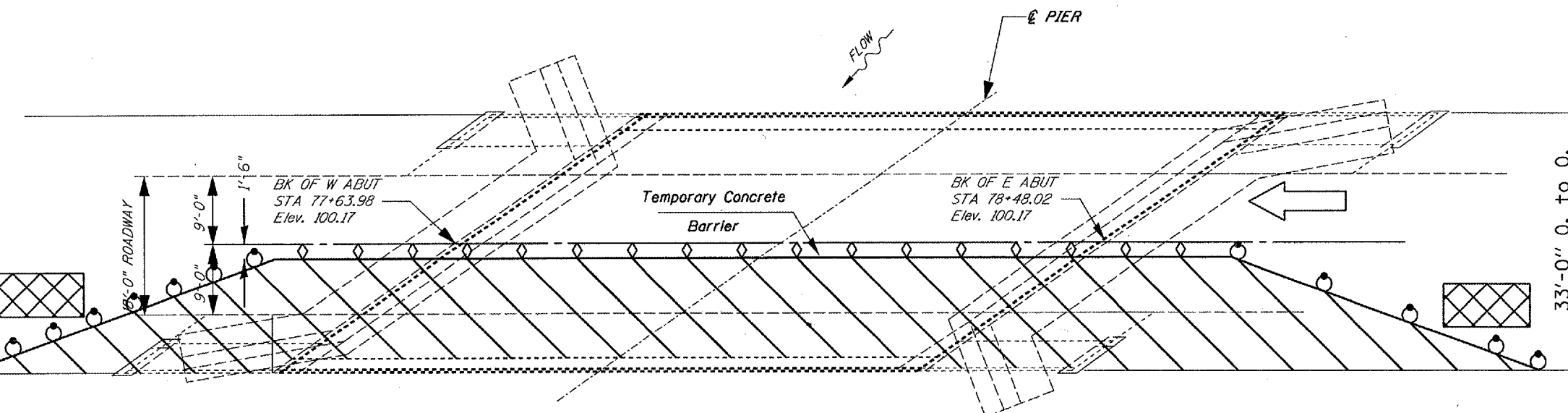


F.A.P. RITE	SECTION	COUNTY	TOTAL SHEETS	SHEET NO.
T01	(128BRI-1)	TAZEWELL	29	11
STA. 77+63.98		TO STA. 78+48.02		
FED. ROAD DIST. NO. 4 ILLINOIS FED. AID PROJECT				



PLAN
STAGE I



PLAN
STAGE II

Symbols

- Work Area
- Drum w/Steady-Burn Light
- Sign
- Type III Barricade
- Traffic Signal
- Steady Burn Lights and Dbl. Vert. Panels
- Type C Bidirectional Reflector
- Sand Module Impact Attenuator
- Temporary Concrete Barrier
- Induction Loop Detector

NOTES:

Refer to Highway Standard 701321 for exact placement of traffic management devices and other clarifications as construction staging symbols and dimensioning were duplicated off of this standard.

PLOT DATE: 03-27-2006
FILE NAME: 03-27-2006
REFERENCE: 03-27-2006

REVISIONS	
NAME	DATE

ILLINOIS DEPARTMENT OF TRANSPORTATION
TRAFFIC STAGING AND CONTROL
SCALE: VERT. 1"=20'
HORIZ. 1"=40'
DATE 03-27-2006
DRAWN BY CEJ
CHECKED BY